

MIL-STD-1279  
 NOTICE 1  
 21 December 1971

MILITARY STANDARD  
 METERS, ELECTRICAL INDICATING  
 SELECTION AND USE OF

TO ALL HOLDERS OF MIL-STD-1279

1. THE FOLLOWING PAGES OF MIL-STD-1279 HAVE BEEN REVISED AND SUPERSEDE THE PAGES LISTED

NEW PAGE	DATE	SUPERSEDED	DATE
iii	21 December 1971	iii	10 September 1970
iv	21 December 1971	iv	10 September 1970
1		(Reprinted without change)	10 September 1970
2	21 December 1971	2	10 September 1970
5		(Reprinted without change)	10 September 1970
6	21 December 1971	6	10 September 1970
100.1	21 December 1971	100.1	10 September 1970
102.1	21 December 1971	102.1	10 September 1970
102.2	21 December 1971	102.2	10 September 1970
200.1	21 December 1971	200.1	10 September 1970
201.1	21 December 1971	201.1	10 September 1970
201.2	21 December 1971	201.2	10 September 1970
201.3	21 December 1971	201.3	10 September 1970
301.1	21 December 1971	301.1	10 September 1970
301.2	21 December 1971	301.2	10 September 1970
301.3	21 December 1971	301.3	10 September 1970
301.4	21 December 1971	301.4	10 September 1970

2. THE FOLLOWING PAGES ARE DELETED.

PAGE	DATE
v	10 September 1970
104.1	10 September 1970
202.1	10 September 1970

3. RETAIN THIS NOTICE AND INSERT BEFORE THE TABLE OF CONTENTS.

4. HOLDERS OF MIL-STD-1279 WILL VERIFY THAT PAGE CHANGES INDICATED ABOVE HAVE BEEN ENTERED. THIS NOTICE (NOTICE PAGE) WILL BE RETAINED AS A CHECK SHEET. THIS ISSUANCE, TOGETHER WITH APPENDED PAGES, IS A SEPARATE PUBLICATION. EACH NOTICE IS TO BE RETAINED BY STOCKING POINTS UNTIL THE MILITARY STANDARD IS COMPLETELY REVISED OR CANCELED.

Custodians.

Army - EL  
 Navy - EC  
 Air Force - 82

Preparing activity  
 Army - EL

Agent  
 DSA - ES

Review activities:

Army - EL, ME  
 Navy - SH, MC  
 Air Force - 11, 67  
 DSA - ES

(Project 6625-0501)

User activities:

Army - MI  
 Navy - CG, MC  
 Air Force - None

## CONTENTS

		Page
Paragraph	1. SCOPE - - - - -	1
	1.1 Scope - - - - -	1
	1.2 Purpose of standard - - - - -	1
	2 REFERENCED DOCUMENTS - - - - -	2
	3. DEFINITIONS - - - - -	3
	4. GENERAL REQUIREMENTS - - - - -	5
	4.1 Choice of meter types - - - - -	5
	4.1.1 Qualified products - - - - -	5
	4.2 Item identification - - - - -	5
	4.3 Conflict of requirements - - - - -	6
	4.4 Criteria for inclusion in this standard - - - - -	7
	5. DETAILED REQUIREMENTS - - - - -	9
	6. APPLICATION INFORMATION - - - - -	10
	6.1 General - - - - -	10
	6.2 Types of meters - - - - -	10
	6.2.1 Meters, 1-inch - - - - -	10
	6.2.2 Meters, 1-1/2-inch - - - - -	10
	6.2.3 Preferred meters, 2-1/2-inch - - - - -	10
	6.2.4 Meters, 3-1/2-inch - - - - -	10
	6.2.5 Meters, 4-1/2-inch - - - - -	10
	6.3 Special marking - - - - -	10
	6.4 Precautions - - - - -	10
	6.5 Watertightness - - - - -	10
	7. SUPPLEMENTAL INFORMATION - - - - -	11
	7.1 Drawing notes - - - - -	11

## SECTIONS

Section	100 1- AND 1-1/2-INCH AMMETERS AND VOLTMETERS, SPECIAL METERS. - - - - -	100.1
	101 Meters, Electrical Indicating, Direct Current, 1-inch, Styles 04, 05, and 06 - - - - -	101.1
	Meters, electrical indicating, dc, millivoltmeter, panel type, flush mounting, round flange, 1-inch, styles 04, 05, and 06	101.1
	Meters, electrical indicating, dc, milliammeter, panel type, flush mounting, round flange, 1-inch, styles 04, 05, and 06	101.1
	Meters, electrical indicating, dc microammeter, panel type, flush mounting, round flange, 1-inch, styles 04, 05, and 06	101.1
	Meters, electrical indicating, dc, voltmeter, panel type, flush mounting, round flange, 1-inch, styles 04, 05, and 06	101.1
	102 Meters, Ruggedized, Panel Type, Sealed, 1-1/2-Inch, Style 13	102.1
	Meters, electrical indicating, voltmeters, dc, panel type, ruggedized (square flange, 1-1/2-inch), style 13 - - - - -	102.1
	Meters, electrical indicating, ammeters, dc, panel type, ruggedized (square flange, 1-1/2-inch), style 13 - - - - -	102.1
	103 Meters, Special Decibel, Panel Type, 1-1/2-Inch, Style 13 - - - - -	103.1
	Meters, electrical indicating, special decibel, panel type, (flush mounting, square flange, 1-1/2-inch), style 13 - - - - -	103.1

MIL-STD-1279  
21 December 1971

SECTIONS (Continued)

		Page	
Section	200	2-1/2-INCH RUGGEDIZED AMMETERS AND VOLTMETERS. - - - - -	200.1
	201	Meters, Ruggedized, Panel Type, Sealed, 2-1/2-inch, Style 26 - -	201.1
		Meters, electrical indicating, voltmeters, dc, panel type, ruggedized (flush mounting, round flange, 2-1/2-inch), style 26 - - - - -	201.1
		Meters, electrical indicating, ammeters, dc, panel type, ruggedized (flush mounting, round flange, 2-1/2-inch), style 26 - - - - -	201.1
		Meters, electrical indicating, voltmeters, ac, panel type, ruggedized (flush mounting, round flange, 2-1/2-inch), style 26 - - - - -	201.1
		Meters, electrical indicating, ammeters, ac, panel type, ruggedized (flush mounting, round flange, 2-1/2-inch), style 26 - - - - -	201.1
		Meters, electrical indicating, rectifier-type voltmeters, ac, panel type, ruggedized (flush mounting, round flange, 2-1/2-inch), style 26 - - - - -	201.1
	300	3-1/2-INCH RUGGEDIZED AMMETERS AND VOLTMETERS - - - - -	300.1
	301	Meters, Ruggedized, Panel Type, Sealed, 3-1/2-Inch, Styles 34 and 36 - - - - -	301.1
		Meters, electrical indicating, voltmeters, dc, panel type, ruggedized (flush mounting, round flange, 3-1/2-inch), style 36 - - - - -	301.1
		Meters, electrical indicating, ammeters, dc, panel type, ruggedized (flush mounting, round flange, 3-1/2-inch), style 36 - - - - -	301.1
		Meters, electrical indicating, voltmeters, ac, panel type, ruggedized (flush mounting, round flange, 3-1/2-inch), style 36 - - - - -	301.1
		Meters, electrical indicating, ammeters, ac, panel type, ruggedized (flush mounting, round flange, 3-1/2-inch), style 36 - - - - -	301.1
		Meters, electrical indicating, panel type, ruggedized voltmeter and ammeter, DC, long scale (flush mounting, round flange, 3-1/2 inch) style 34 - - - - -	301.1
		Meters, electrical indicating, panel type, ruggedized rectifier-type voltmeter, AC (flush mounting, round flange, 3-1/2 inch) style 36 - - - - -	301.1
	400	4-1/2-INCH RUGGEDIZED AMMETERS AND VOLTMETERS	400.1
	401	Meters, Ruggedized, Panel Type, Sealed, 4-1/2-Inch, Styles 44 and 46 - - - - -	401.1
		Meters, electrical indicating, ammeters, dc, panel type, ruggedized (flush mounting, round flange, 4-1/2-inch), style 46 - - - - -	401.1
		Meters, electrical indicating, voltmeters and ammeters, long scale, dc, panel type, ruggedized (flush mounting, round flange, 4-1/2-inch), styles 44 and 46 - - - - -	401.1

## 1. SCOPE

### 1.1 Scope. This standard consists of the following:

- (a) Selected standard electrical indicating meter types, detailed by sections, chosen jointly by the Departments of the Army, the Navy, and the Air Force for use in new design and manufacture of military equipment under the jurisdiction of the Departments.
- (b) Guides for the choice and application of electrical indicating meters in military equipment.

Detailed requirements of these meters are covered in the latest issue of the applicable specification (see 2.1).

### 1.2 Purpose of standard

- (a) To provide the equipment designer with a selection of preferred meters for use in most military applications.
- (b) To restrict and minimize the variety of meters used in military equipment in order to facilitate logistic support of the equipment in the field.
- (c) To outline criteria pertaining to the use, choice, and application of meters in military equipment.

MIL-STD-1279  
21 December 1971

## 2. REFERENCED DOCUMENTS

2.1 The following documents of the issue in effect on the date of invitation for bids or request for proposal form a part of this standard to the extent specified herein.

### SPECIFICATIONS

#### MILITARY

- MIL-M-10304 - Meters, Electrical Indicating, Panel Type, Ruggedized, General Specification For.
- MIL-M-17275 - Meters, Electrical Indicating, Direct Current, 1 Inch, General Specification For.

### STANDARDS

#### FEDERAL

- FED-STD-595 - Colors

(Copies of specifications, standards, drawings, and publications required by suppliers in connection with specific procurement functions should be obtained from the procuring activity or as directed by the contracting officer.)

## 4. GENERAL REQUIREMENTS

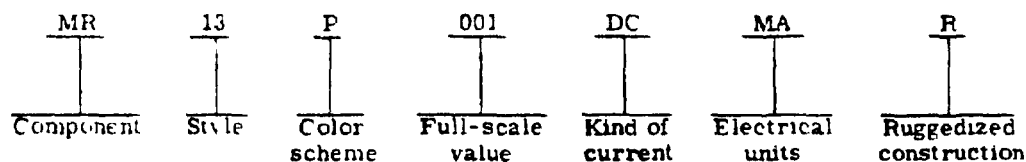
**4.1 Choice of meter types.** There probably exists, or has been developed, a style of meter which would be suitable for most equipment now being designed. The variety of meter types used in any particular equipment shall be the minimum necessary to obtain satisfactory performance. The accuracy, operating environment, size, operating characteristics, and cost must all be considered when selecting the proper meter for any given application. The meters identified in this standard meet all the criteria for standard types.

**4.1.1 Qualified products** After a preliminary selection of the desired meter has been made, reference should be made to the applicable qualified products list for listing of qualified products.

**4.2 Item identification.** The type designation is used for identifying and describing the meter. It is constructed as indicated in the following examples:

## MIL-M-10304 TYPE DESIGNATION EXAMPLE

Type designation. The type designation for meters under MIL-M-10304 is in the following form



Component Meters are identified by the two-letter symbol "MR."

Style. The style is identified by a two-digit number which signifies the size of the meter, shape of the flange, and degree of enclosure.

The first digit identifies the nominal size of the meter, as follows

0	-----	1 inch
1	-----	1-1/2 inches
2	-----	2-1/2 inches
3	-----	3-1/2 inches
4	-----	4-1/2 inches

The second digit identifies the shape of flange, and degree of enclosure, as follows

3	---	Square flange, watertight.
4	---	Round flange, watertight, long scale.
6	---	Round flange, watertight.

Color scheme. The color scheme of the dial background, and of the markings and pointer is identified by a single letter, as follows

W	---	White dial background; black markings and pointer.
B	---	Black dial background; white markings and pointer.
Y	---	Buff dial background; black markings and pointer.
F	---	Black dial background, fluorescent (yellow) markings and pointer.
P	---	Phosphorescent markings and pointer, black dial background.
M	---	Multicolored markings. Color of the dial background, and of the markings and pointer shall be as specified
A	---	Additional or other dial markings, i.e., a colored line at a particular reading, a colored segment, or segments on the dial embracing two or more readings, etc

MIL-STD-1279  
21 December 1971

Full-scale value.

Zero left. The full-scale value for meters with zero at left is identified by three digits designating the units indicated. When the full scale is less than three digits, zeros are inserted at the left to fill out to three digits. Where the letter "R" is used in this group between two digits, R represents a decimal point. Example IR5 represents 1.5.

Offset-zero. The full-scale value of offset-zero meters, including zero-center meters, is identified by two digits with a letter between which gives the decimal value of the digits, as follows.

D - - - Tenths.  
U - - - Units.  
T - - - Tens.  
H - - - Hundreds.

Example: 5H5 represents 500-0-500.

Kind of current. The kind of current for which the meter is designed is identified by two letters, as follows

AC - - - Alternating current (60 Hz), nominal frequency  
25 to 125 Hz, operating frequency), of the iron  
vane type only.  
AR - - - Alternating current (60 to 1000 Hz), rectifier type.  
AE - - - Alternating current (800 Hz, nominal frequency), of the  
iron vane type only.  
AF - - - Alternating current (400 Hz, nominal frequency), of the  
iron vane type only.  
DC - - - Direct current.

Electrical units The electrical units indicated by the meters are identified by two letters, as follows

UA - - - Microamperes.  
MA - - - Milliamperes.  
AA - - - Amperes.  
KA - - - Kiloamperes.  
MV - - - Millivolts.  
KV - - - Kilovolts.  
VV - - - Volts.

Ruggedized construction. The letter "R" designates that the meter is of ruggedized construction.

Special meters. The four letters "SPEC" are used in place of the letters for "kind of current" and "electrical units" for meters having special features, such as adjusted resistance, special scale marks, and so forth. Serial numbers which are to be used in place of the full-scale value identifier are assigned to these meters by the Government.

SECTION 100

1- AND 1-1/2-INCH AMMETERS AND VOLTMETERS

SPECIAL METERS

-

Supersedes page 100.1 of 10 September 1970

100 1



## SECTION 102

**METERS, RUGGEDIZED, PANEL TYPE,  
SEALED, 1-1/2 INCH, STYLE 13**

(Applicable specification MIL-M-10304)

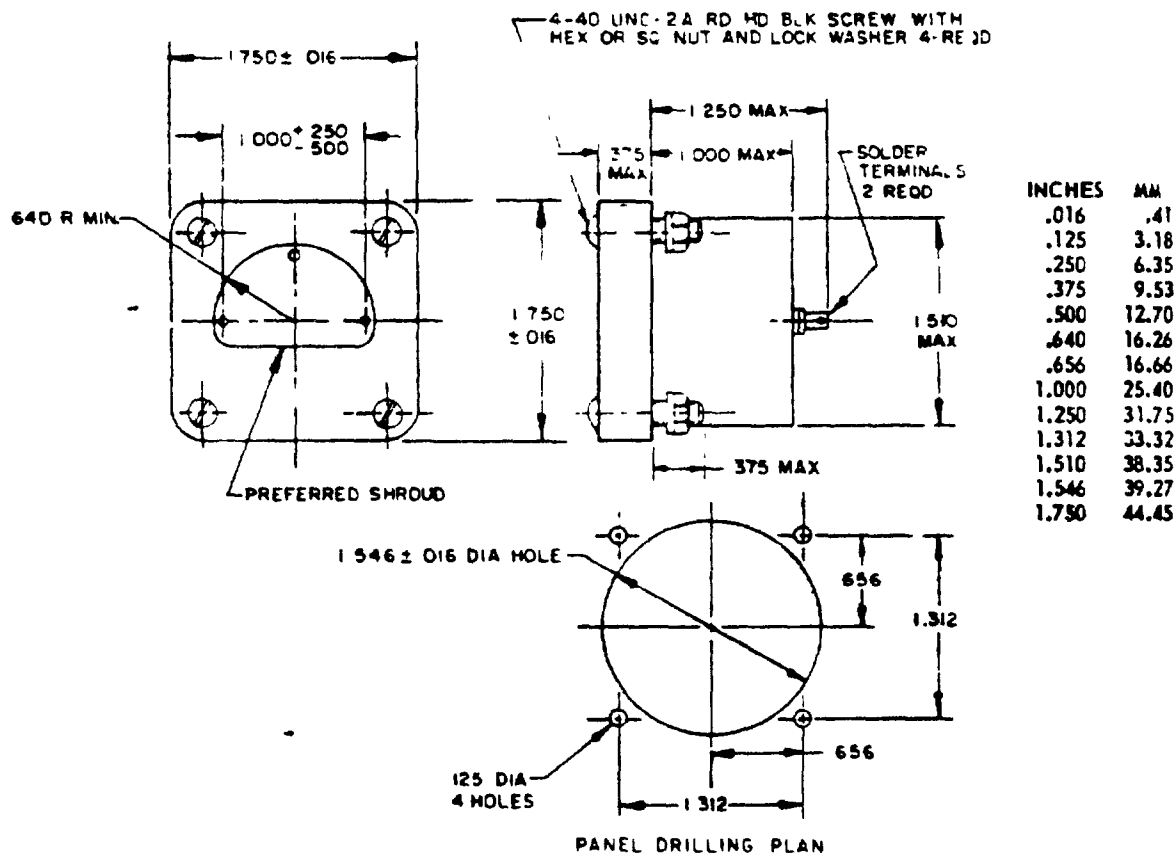
This section covers the following meters

Meters, electrical indicating, voltmeters, dc, panel type, ruggedized (square flange, 1-1/2 inch) style 13.

Meters, electrical indicating, ammeters, dc, panel type, ruggedized (square flange, 1-1/2 inch) style 13.

Meters shall conform to the applicable specification sheet

Type designations and applicable specification sheets are listed in table 102-1.



Supersedes page 102.1 of 10 September 1970

MIL-STD-1279  
21 December 1971

TABLE 102-1. Type designations and applicable specification sheets.

Type designation	Specification sheet number
MR13*030DCMVR	MIL-M-10304/21
MR13*050DCMVR	MIL-M-10304/21
MR13*100DCMVR	MIL-M-10304/21
MR13*200DCMVR	MIL-M-10304/21
MR13*300DCMVR	MIL-M-10304/21
MR13*500DCMVR	MIL-M-10304/21
MR13*002DCVVR	MIL-M-10304/21
MR13*010DCVVR	MIL-M-10304/21
MR13*020DCVVR	MIL-M-10304/21
MR13*030DCVVR	MIL-M-10304/21
MR13*050DCVVR	MIL-M-10304/21
MR13*100DCVVR	MIL-M-10304/21
MR13*200DCVVR	MIL-M-10304/21
MR13*300DCVVR	MIL-M-10304/21
MR13*3T3DCVVR	MIL-M-10304/21
MR13*5T5DCVVR	MIL-M-10304/21
MR13*1H1DCVVR	MIL-M-10304/21
MR13*010DCUAR	MIL-M-10304/24
MR13*030DCUAR	MIL-M-10304/24
MR13*050DCUAR	MIL-M-10304/24
MR13*100DCUAR	MIL-M-10304/24
MR13*200DCUAR	MIL-M-10304/24
MR13*300DCUAR	MIL-M-10304/24
MR13*500DCUAR	MIL-M-10304/24
MR13*1T1DCUAR	MIL-M-10304/24
MR13*3T3DCUAR	MIL-M-10304/24
MR13*5T5DCUAR	MIL-M-10304/24
MR13*1H1DCUAR	MIL-M-10304/24
MR13*2H2DCUAR	MIL-M-10304/24
MR13*3H3DCUAR	MIL-M-10304/24
MR13*5H5DCUAR	MIL-M-10304/24
MR13*001DCMAR	MIL-M-10304/24
MR13*005DCMAR	MIL-M-10304/24
MR13*010DCMAR	MIL-M-10304/24
MR13*050DCMAR	MIL-M-10304/24
MR13*100DCMAR	MIL-M-10304/24
MR13*200DCMAR	MIL-M-10304/24
MR13*500DCMAR	MIL-M-10304/24
MR13*1U1DCMAR	MIL-M-10304/24
MR13*5U5DCMAR	MIL-M-10304/24
MR13*1T1DCMAR	MIL-M-10304/24
MR13*1H1DCMAR	MIL-M-10304/24
MR13*5H5DCMAR	MIL-M-10304/24

SECTION 200

2-1/2-INCH RUGGEDIZED AMMETERS,  
VOLTMETERS.

Supersedes page 200.1 of 10 September 1970

200.1

## SECTION 201

METERS, RUGGEDIZED, PANEL TYPE, SEALED,  
2-1/2 INCH, STYLE 26

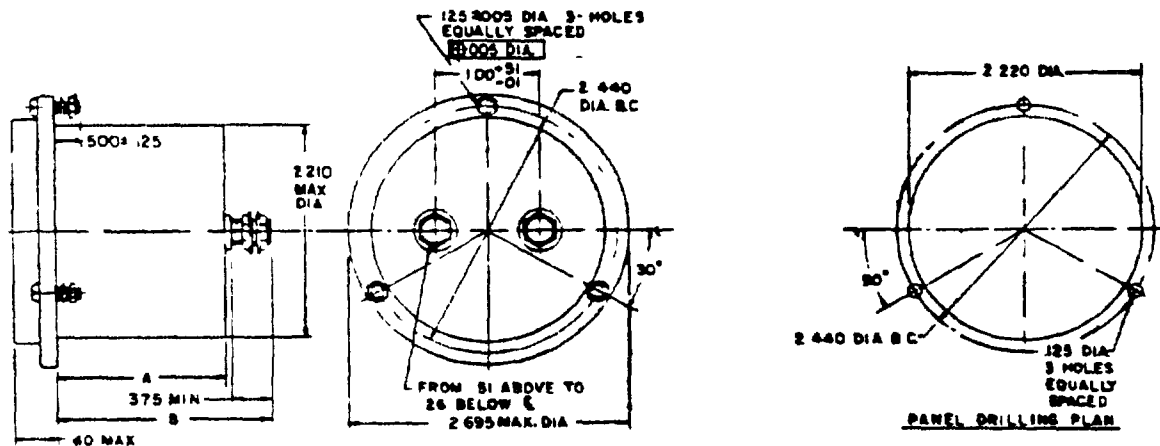
(Applicable specification MIL-M-10304)

This section covers the following meters.

- Meters, electrical indicating, voltmeters, dc, panel type, ruggedized (flush mounting, round flange, 2-1/2-inch), style 26.
- Meters, electrical indicating, ammeters, dc, panel type, ruggedized (flush mounting, round flange, 2-1/2-inch), style 26.
- Meters, electrical indicating, voltmeters, ac, panel type, ruggedized (flush mounting, round flange, 2-1/2-inch), style 26.
- Meters, electrical indicating, ammeters, ac, panel type, ruggedized (flush mounting, round flange, 2-1/2-inch), style 26.
- Meters, electrical indicating, rectifier-type, voltmeters, ac, panel type, ruggedized (flush mounting, round flange, 2-1/2-inch), style 26.

Meters shall conform to the applicable specification sheet.

Type designations and applicable specification sheets are listed in table 201-L.



INCHES	MM	INCHES	MM
.005	13	.500	12.70
.01	25	.51	12.95
.12	3.05	1.00	25.40
.125	3.18	2.210	56.13
.26	6.60	2.220	56.39
.375	9.53	2.440	61.98
.40	10.16	2.695	68.45

Supersedes page 201.1 of 10 September 1970

MIL-STD-1279

21 December 1971

TABLE 201-1 Type designations, dimensions, and applicable specification sheets.

Type designation	Specification sheet number	Max inches	
		A	B
MR26*010DCUAR	MIL-M-10304/5	1.60	2.25
MR26*020DCUAR	MIL-M-10304/5	1.60	2.25
MR26*030DCUAR	MIL-M-10304/5	1.60	2.25
MR26*050DCUAR	MIL-M-10304/5	1.60	2.25
MR26*100DCUAR	MIL-M-10304/5	1.60	2.25
MR26*200DCUAR	MIL-M-10304/5	1.60	2.25
MR26*300DCUAR	MIL-M-10304/5	1.60	2.25
MR26*500DCUAR	MIL-M-10304/5	1.60	2.25
MR26*3T3DCUAR	MIL-M-10304/5	1.60	2.25
MR26*5T5DCUAR	MIL-M-10304/5	1.60	2.25
MR26*1H1DCUAR	MIL-M-10304/5	1.60	2.25
MR26*3H3DCUAR	MIL-M-10304/5	1.60	2.25
MR26*5H5DCUAR	MIL-M-10304/5	1.60	2.25
MR26*001DCMAR	MIL-M-10304/5	1.60	2.25
MR26*005DCMAR	MIL-M-10304/5	1.60	2.25
MR26*010DCMAR	MIL-M-10304/5	1.60	2.25
MR26*050DCMAR	MIL-M-10304/5	1.60	2.25
MR26*100DCMAR	MIL-M-10304/5	1.60	2.25
MR26*200DCMAR	MIL-M-10304/5	1.60	2.25
MR26*300DCMAR	MIL-M-10304/5	1.60	2.25
MR26*500DCMAR	MIL-M-10304/5	1.60	2.25
MR26*1U1DCMAR	MIL-M-10304/5	1.60	2.25
MR26*5U5DCMAR	MIL-M-10304/5	1.60	2.25
MR26*1T1DCMAR	MIL-M-10304/5	1.60	2.25
MR26*5T5DCMAR	MIL-M-10304/5	1.60	2.25
MR26*1H1DCMAR	MIL-M-10304/5	1.60	2.25
MR26*5H5DCMAR	MIL-M-10304/5	1.60	2.25
1/ MR26*001DCAAR	MIL-M-10304/5	1.60	2.25
1/ MR26*002DCAAR	MIL-M-10304/5	1.60	2.25
1/ MR26*005DCAAR	MIL-M-10304/5	1.60	2.25
1/ MR26*010DCAAR	MIL-M-10304/5	1.60	2.25
1/ MR26*020DCAAR	MIL-M-10304/5	1.60	2.25
1/ MR26*030DCAAR	MIL-M-10304/5	1.60	2.25
1/ MR26*050DCAAR	MIL-M-10304/5	1.60	2.25
1/ MR26*100DCAAR	MIL-M-10304/5	1.60	2.25
1/ MR26*200DCAAR	MIL-M-10304/5	1.60	2.25
1/ MR26*300DCAAR	MIL-M-10304/5	1.60	2.25
1/ MR26*500DCAAR	MIL-M-10304/5	1.60	2.25
1/ MR26*1U1DCAAR	MIL-M-10304/5	1.60	2.25
1/ MR26*5U5DCAAR	MIL-M-10304/5	1.60	2.25
1/ MR26*1T1DCAAR	MIL-M-10304/5	1.60	2.25
1/ MR26*1T3DCAAR	MIL-M-10304/5	1.60	2.25
1/ MR26*2T2DCAAR	MIL-M-10304/5	1.60	2.25
1/ MR26*3T3DCAAR	MIL-M-10304/5	1.60	2.25
1/ MR26*001DCKAR	MIL-M-10304/5	1.60	2.25
1/ MR26*1R2DCKAR	MIL-M-10304/5	1.60	2.25
MR26*002DCVVR	MIL-M-10304/4	1.60	2.25
MR26*005DCVVR	MIL-M-10304/4	1.60	2.25
MR26*010DCVVR	MIL-M-10304/4	1.60	2.25
MR26*020DCVVR	MIL-M-10304/4	1.60	2.25
MR26*030DCVVR	MIL-M-10304/4	1.60	2.25
MR26*050DCVVR	MIL-M-10304/4	1.60	2.25
MR26*100DCVVR	MIL-M-10304/4	1.60	2.25
MR26*150DCVVR	MIL-M-10304/4	1.60	2.25
MR26*200DCVVR	MIL-M-10304/4	1.60	2.25
MR26*300DCVVR	MIL-M-10304/4	1.60	2.25
1/ MR26*500DCVVR	MIL-M-10304/4	1.60	2.25
MR26*5T5DCVVR	MIL-M-10304/4	1.60	2.25
MR26*1H1DCVVR	MIL-M-10304/4	1.60	2.25
MR26*2H2DCVVR	MIL-M-10304/4	1.60	2.25

1/ See footnote at end of table.

201 2

Supersedes page 201.2 of 10 September 1970

TABLE 201-I. Type designations, dimensions, and applicable specification sheets - Continued.

Type designation	Specification sheet number	Max inches	
		A	B
1 MR26*001DCKVR	MIL-M-10304/4	1.60	2.25
1/ MR26*002DCKVR	MIL-M-10304/4	1.60	2.25
1/ MR26*005DCKVR	MIL-M-10304/4	1.60	2.25
1/ MR26*010DCKVR	MIL-M-10304/4	1.60	2.25
1/ MR26*020DCKVR	MIL-M-10304/4	1.60	2.25
1/ MR26*030DCKVR	MIL-M-10304/4	1.60	2.25
MR26*005ACMAR	MIL-M-10304/7	1.60	2.25
MR26*010ACMAR	MIL-M-10304/7	1.75	2.40
MR26*020ACMAR	MIL-M-10304/7	1.75	2.40
MR26*030ACMAR	MIL-M-10304/7	1.75	2.40
MR26*050ACMAR	MIL-M-10304/7	1.75	2.40
MR26*100ACMAR	MIL-M-10304/7	1.75	2.40
MR26*200ACMAR	MIL-M-10304/7	1.75	2.40
MR26*300ACMAR	MIL-M-10304/7	1.75	2.40
MR26*500ACMAR	MIL-M-10304/7	1.75	2.40
MR26*001ACAAR	MIL-M-10304/7	1.75	2.40
MR26*002ACAAR	MIL-M-10304/7	1.75	2.40
MR26*005ACAAR	MIL-M-10304/7	1.75	2.40
MR26*010ACAAR	MIL-M-10304/7	1.75	2.40
MR26*015ACAAR	MIL-M-10304/7	1.75	2.40
MR26*020ACAAR	MIL-M-10304/7	1.75	2.40
MR26*030ACAAR	MIL-M-10304/7	1.75	2.40
MR26*050ACAAR	MIL-M-10304/7	1.75	2.40
MR26*100ACAAR	MIL-M-10304/7	1.75	2.40
MR26*200ACAAR	MIL-M-10304/7	1.75	2.40
MR26*300ACAAR	MIL-M-10304/7	1.75	2.40
MR26*500ACAAR	MIL-M-10304/7	1.75	2.40
MR26*002ACVVR	MIL-M-10304/6	1.75	2.40
MR26*003ACVVR	MIL-M-10304/6	1.75	2.40
MR26*005ACVVR	MIL-M-10304/6	1.75	2.40
MR26*008ACVVR	MIL-M-10304/6	1.75	2.40
MR26*010ACVVR	MIL-M-10304/6	1.75	2.40
MR26*015ACVVR	MIL-M-10304/6	1.75	2.40
MR26*030ACVVR	MIL-M-10304/6	1.75	2.40
MR26*080ACVVR	MIL-M-10304/6	1.75	2.40
MR26*100ACVVR	MIL-M-10304/6	1.75	2.40
MR26*150ACVVR	MIL-M-10304/6	1.75	2.40
MR26*300ACVVR	MIL-M-10304/6	1.75	2.40
1/ MR26*500ACVVR	MIL-M-10304/6	1.75	2.40
1/ MR26*800ACVVR	MIL-M-10304/6	1.75	2.40
MR26*002ARVVR	MIL-M-10304/25	1.60	2.25
MR26*005ARVVR	MIL-M-10304/25	1.60	2.25
MR26*010ARVVR	MIL-M-10304/25	1.60	2.25
MR26*020ARVVR	MIL-M-10304/25	1.60	2.25
MR26*030ARVVR	MIL-M-10304/25	1.60	2.25
MR26*050ARVVR	MIL-M-10304/25	1.60	2.25
MR26*100ARVVR	MIL-M-10304/25	1.60	2.25
MR26*200ARVVR	MIL-M-10304/25	1.60	2.25
MR26*300ARVVR	MIL-M-10304/25	1.60	2.25
1/ MR26*500ARVVR	MIL-M-10304/25	1.60	2.25
MR26*001ARKVR	MIL-M-10304/25	1.60	2.25
1/ MR26*002ARKVR	MIL-M-10304/25	1.60	2.25
1/ MR26*005ARKVR	MIL-M-10304/25	1.60	2.25
1/ MR26*010ARKVR	MIL-M-10304/25	1.60	2.25
1/ MR26*020ARKVR	MIL-M-10304/25	1.60	2.25
1/ MR26*030ARKVR	MIL-M-10304/25	1.60	2.25

1/ Used with external resistor (not supplied). These meters shall have a full scale deflection of 1 milliamperes with 150 millivolts maximum terminal drop

201.3

Supersedes page 201.3 of 10 September 1970

MIL-STD-1279  
21 December 1971

## SECTION 301

METERS, RUGGEDIZED, PANEL TYPE, SEALED,  
3-1 2-INCH, STYLES 34 AND 36

(Applicable specification MIL-M-10304)

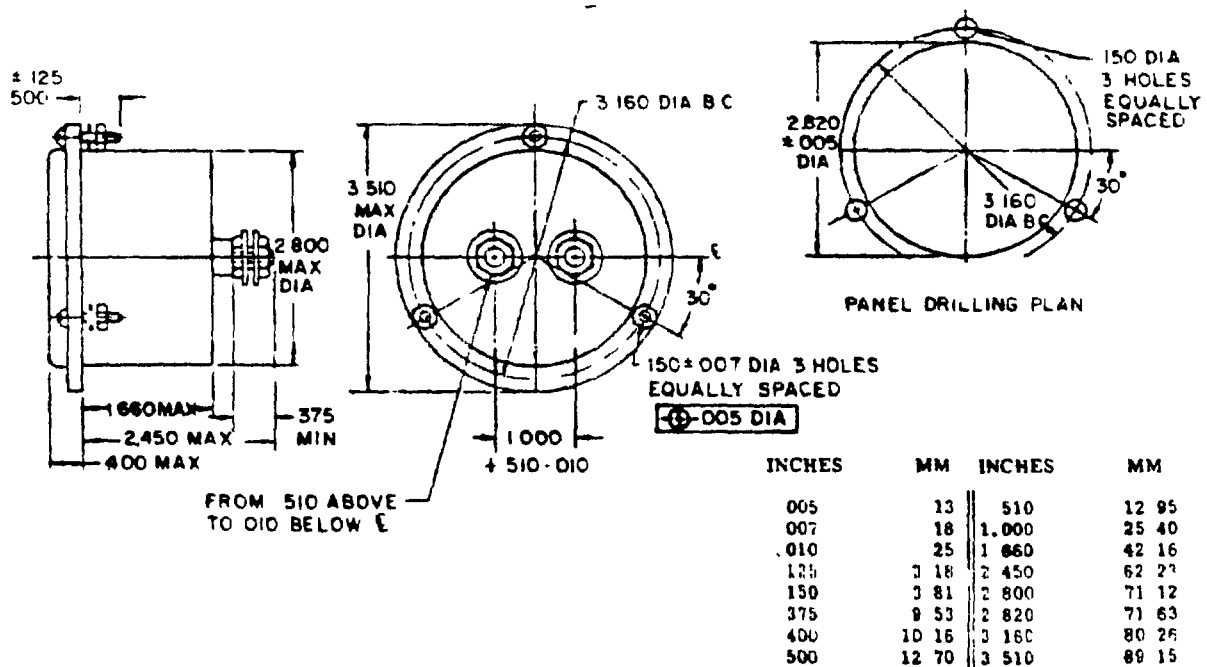
This section covers the following meters:

- Meters, electrical indicating, voltmeters, dc, panel type, ruggedized (flush mounting, round flange, 3-1 2-inch), style 36.
- Meters, electrical indicating, ammeters, dc, panel type, ruggedized (flush mounting, round flange, 3-1 2-inch), style 36.
- Meters, electrical indicating, voltmeters, ac, panel type, ruggedized (flush mounting, round flange, 3-1 2-inch), style 36.
- Meters, electrical indicating, ammeters, ac, panel type, ruggedized (flush mounting, round flange, 3-1 2-inch), style 36.
- 1 Meters, electrical indicating, voltmeters and ammeters, long scale, dc, panel type, ruggedized (flush mounting, round flange, 3-1 2-inch), style 34.
- 1 Meters, electrical indicating, rectifier-type, voltmeters, ac, panel type, ruggedized (flush mounting, round flange, 3-1 2-inch), style 36.

Meters shall conform to the applicable specification sheet.

Type designations and applicable specification sheets are listed in table 301-1, unless otherwise specified (see note 1).

- 1 Type designations for these meters are not included in the standard at this time, applicable specification sheets are listed in table 301-II



Supersedes page 301.1 of 10 September 1970

MIL-STD-1279  
24 December 1971

TABLE 301-1. Type designations and applicable specification sheets.

Type designation	Specification sheet number
MR36*020DCUAR	MIL-M-10304/12
MR36*050DCUAR	MIL-M-10304/12
MR36*100DCUAR	MIL-M-10304/12
MR36*200DCUAR	MIL-M-10304/12
MR36*500DCUAR	MIL-M-10304/12
MR36*3T3DCUAR	MIL-M-10304/12
MR36*5T5DCUAR	MIL-M-10304/12
MR36*1H1DCUAR	MIL-M-10304/12
MR36*2H2DCUAR	MIL-M-10304/12
MR36*3H3DCUAR	MIL-M-10304/12
MR36*5H5DCUAR	MIL-M-10304/12
MR36*001DCMAR	MIL-M-10304/12
MR36*005DCMAR	MIL-M-10304/12
MR36*010DCMAR	MIL-M-10304/12
MR36*030DCMAR	MIL-M-10304/12
MR36*050DCMAR	MIL-M-10304/12
MR36*100DCMAR	MIL-M-10304/12
MR36*200DCMAR	MIL-M-10304/12
MR36*300DCMAR	MIL-M-10304/12
MR36*500DCMAR	MIL-M-10304/12
MR36*1U1DCMAR	MIL-M-10304/12
MR36*5U5DCMAR	MIL-M-10304/12
MR36*1T1DCMAR	MIL-M-10304/12
MR36*3T3DCMAR	MIL-M-10304/12
MR36*5T5DCMAR	MIL-M-10304/12
MR36*1H1DCMAR	MIL-M-10304/12
MR36*2H2DCMAR	MIL-M-10304/12
MR36*3H3DCMAR	MIL-M-10304/12
MR36*5H5DCMAR	MIL-M-10304/12
MR36*001DCAAR	MIL-M-10304/12
MR36*002DCAAR	MIL-M-10304/12
MR36*005DCAAR	MIL-M-10304/12
MR36*010DCAAR	MIL-M-10304/12
1/ MR36*020DCAAR	MIL-M-10304/12
1/ MR36*030DCAAR	MIL-M-10304/12
1/ MR36*050DCAAR	MIL-M-10304/12
1/ MR36*100DCAAR	MIL-M-10304/12
1/ MR36*200DCAAR	MIL-M-10304/12
1/ MR36*300DCAAR	MIL-M-10304/12
1/ MR36*500DCAAR	MIL-M-10304/12
MR36*5U5DCAAR	MIL-M-10304/12
MR36*1T1DCAAR	MIL-M-10304/12
1/ MR36*1T3DCAAR	MIL-M-10304/12
1/ MR36*2T2DCAAR	MIL-M-10304/12
1/ MR36*3T3DCAAR	MIL-M-10304/12
1/ MR36*5T5DCAAR	MIL-M-10304/12
1/ MR36*001DCKAR	MIL-M-10304/12
1/ MR36*1R2DCKAR	MIL-M-10304/12
MR36*002DCVVR	MIL-M-10304/11
MR36*010DCVVR	MIL-M-10304/11

1/ See footnote at end of table.



MIL-STD-1279  
21 December 1971TABLE 301-1 Type designations and applicable specification sheets. - Continued

Type designation	Specification sheet number
MR36*020DCVVR	MIL-M-10304 11
MR36*030DCVVR	MIL-M-10304 11
MR36*050DCVVR	MIL-M-10304 11
MR36*100DCVVR	MIL-M-10304 11
MR36*150DCVVR	MIL-M-10304 11
MR36*200DCVVR	MIL-M-10304 11
MR36*300DCVVR	MIL-M-10304 11
MR36*500DCVVR	MIL-M-10304 11
MR36*800DCVVR	MIL-M-10304 11
MR36*313DCVVR	MIL-M-10304 11
MR36*5T3DCVVR	MIL-M-10304 11
MR36*1H1DCVVR	MIL-M-10304 11
MR36*2H2DCVVR	MIL-M-10304 11
1 MR36*001DCKVR	MIL-M-10304 11
1 MR36*002DCKVR	MIL-M-10304 11
1 MR36*005DCVVR	MIL-M-10304 11
1 MR36*010DCKVR	MIL-M-10304 11
1 MR36*020DCKVR	MIL-M-10304 11
1 MR36*030DCKVR	MIL-M-10304 11
MR36*010ACMAR	MIL-M-10304 14
MR36*020ACMAR	MIL-M-10304 14
MR36*030ACMAR	MIL-M-10304 14
MR36*050ACMAR	MIL-M-10304 14
MR36*100ACMAR	MIL-M-10304 14
MR36*200ACMAR	MIL-M-10304 14
MR36*300ACMAR	MIL-M-10304 14
MR36*500ACMAR	MIL-M-10304 14
MR36*001ACAAR	MIL-M-10304 14
MR36*002ACAAR	MIL-M-10304 14
MR36*005ACAAR	MIL-M-10304 14
MR36*010ACAAR	MIL-M-10304 14
MR36*020ACAAR	MIL-M-10304 14
MR36*030ACAAR	MIL-M-10304 14
MR36*050ACAAR	MIL-M-10304 14
MR36*100ACAAR	MIL-M-10304 14
MR36*200ACAAR	MIL-M-10304 14
MR36*300ACAAR	MIL-M-10304 14
MR36*500ACAAR	MIL-M-10304 14
MR36*1R5ACVVR	MIL-M-10304 13
MR36*003ACVVR	MIL-M-10304 13
MR36*008ACVVR	MIL-M-10304 13
MR36*010ACVVR	MIL-M-10304 13
MR36*015ACVVR	MIL-M-10304 13
MR36*030ACVVR	MIL-M-10304 13
MR36*050ACVVR	MIL-M-10304 13
MR36*080ACVVR	MIL-M-10304 13
MR36*150ACVVR	MIL-M-10304 13
MR36*300ACVVR	MIL-M-10304 13
MR36*500ACVVR	MIL-M-10304 13
MR36*800ACVVR	MIL-M-10304 13
MR36*001ACKVR	MIL-M-10304 13

1 Used with external resistor (not supplied). These meters shall have a full scale deflection of 1 milliampere with 150 millivolts maximum terminal drop.

MIL-STD-1279  
31 December 1971

TABLE 301-II. Meters and applicable specification sheets.

Meters	Specification sheet number
Meters, electrical indicating, panel type, ruggedized: volt-meter and ammeter, DC, long scale (flush mounting, round flange, 3-1/2 inch) style 34	MIL-M-10304/22
Meters, electrical indicating, panel type, ruggedized: rectifier-type voltmeter, AC (flush mounting, round flange, 3-1/2 inch) style 36	MIL-M-10304/26

0207405