

MIL-STD-134B
15 MARCH 1963

SUPERSEDING
MIL-STD-134A
27 MARCH 1959

MILITARY STANDARD

**GAGES, PLUG, PLAIN CYLINDRICAL,
NOT GO
FOR
MINOR DIAMETERS OF STANDARD
CLASSES OF INTERNAL THREADS**



FED SUP CLASS
5220

Mil-Std-134B
15 March 1963

DEPARTMENT OF DEFENSE
WASHINGTON 25, D.C.

Gages, Plug, Plain Cylindrical, Not Go for Minor Diameters of
Standard Classes of Internal Threads

Mil-Std-134B

1. This standard has been approved by the Department of Defense and is mandatory for use by the Departments of the Army, the Navy, and the Air Force, effective 15 March 1963.
2. Recommended corrections, additions, or deletions should be addressed to Headquarters, DSA, Standardization Division, Washington 25, D. C.

Mil-Std-134B
13 MARCH 1963

CONTENTS

Paragraph	Page
1. Scope	1
2. Referenced Documents	1
3. Definitions	2
4. General Requirements	2
4.1.1 Tables I, II, and III - Tabulation of Design and Identification Data	2
4.1.2 Table IV - Listing of Mil-Std Part Numbers in Numerical Sequence	3
5. Procurement	3

FIGURES

Figure	
1. Not Go Plain Plug Gage (Wire Type)	4
2. Not Go Plain Plug Gage (Taperlock Type)	5
3. Not Go Plain Plug Gage (Trilock Type)	6

TABLES

Table	
I. Tabulation of Design and Identification Data - Unified Standard Thread	7
II. Tabulation of Design and Identification Data - American National Standard Thread	37
III. Tabulation of Design and Identification Data - Special (UNS) Threads	47
IV. Listing of Mil-Std Part Numbers in Numerical Sequence	49

Mil-Std-134B
13 MARCH 1963

1. Scope

1.1 This standard covers pertinent design data and Mil-Std Part Numbers for American Gage Design Standard, single end, not go plain cylindrical plug gages for the inspection of the maximum limits of the minor diameter of internal threads for Unified Standard classes 1B, 2B, 3B and American National Standard classes 1, 2, 3.

1.2 The maximum limit of the minor diameter of internal threads for the Unified Standard classes 1B and 2B is specified to three significant figures. Therefore, Mil-Std Part Numbers as listed in Standard Mil-Std-111 are utilized wherever applicable.

2. Referenced Documents

2.1 The issues of the following documents in effect on the date of invitation for bids form a part of this standard.

Standards

Mil-Std 10 Surface Roughness Waviness and Lay

Mil-Std-111 Gages, Plug, Plain Cylindrical, Not Go

(Application for copies should be addressed to the Superintendent of Documents, U. S. Government Printing Office, Washington 25, D. C.)

Specification

Mil-G-45653 Gages, Cylindrical Plug and Ring, Plain

(Copies of specifications should be obtained from the procuring activity or as directed by the contracting officer.)

Other Publications

U. S. Department of Commerce, National Bureau of Standards, Handbook H28 "Screw-Thread Standards for Federal Services".

Mil-Std-134B
15 MARCH 1963

U.S. Department of Commerce, Commercial Standard CS8
"Gage Blanks".

(Application for copies should be addressed to the Superintendent
of Documents, U. S. Government Printing Office, Washington 25, D.C.)

3. Definitions

Not applicable

4. General Requirements

4.1 This standard contains four tables. Table I provides tabulated design data required for manufacture and inspection and is arranged in ascending size sequence according to thread designation for Unified Standard classes 1B, 2B, and 3B. Table II provides tabulated design data required for manufacture and inspection and is arranged in ascending size sequence according to thread designation for American National Standard classes 1, 2, and 3. Table III contains thread designations previously listed in the Standard series of Unified Standard thread (with one exception 1.0000-14NS-1, 2, 3 which was listed also in the American National Thread Series). They have been redesignated from Standard to special (UNS) threads and are listed herein for reference purposes. Table IV is a listing of Mil-Std Part Numbers in ascending numerical sequence, and is provided as an aid for locating the required design data contained in tables I, II, and III for any given Mil-Std Part Number.

4.1.1 Tables I, II, and III. Tabulation of Design and Identification Data.

4.1.1.1 Mil-Std Part Numbers and the corresponding not go diameter (maximum minor diameter of component internal thread) and thread designation are listed in columns B, C, and D respectively.

4.1.1.2 Column A lists the proper reference to the applicable figure (drawing) for each Mil-Std Part Number.

4.1.1.3 Columns B and C list the identification data for each Mil-Std Part Number and, when applied to the figure (drawing) referenced in column A, provide information for proper marking of the gages. It is not necessary to mark the "5220" indicated in column B on the gage. For example: Mil-Std Part Number 5220-751-6264 may be marked 7516264 on the gage.

4.1.1.4 Columns E to G inclusive list the design data for each Mil-Std Part Number and, when applied to the figure (drawing) referenced in column A, provide data required for manufacture and inspection.

4.1.1.5 The unit of measurement in columns C, E, and F is inches; column G is microinches.

Mil-Std-1348
15 MARCH 1963

4.1.1.6 Design data, etc. not specifically covered in this standard shall conform to the latest issue of the documents referenced in paragraph 2 above.

4.1.2 Table IV. Listing of Mil-Std Part Numbers in Numerical Sequence.

4.1.2.1 All Mil-Std Part Numbers contain in this standard are listed in ascending numerical sequence in column A.

4.1.2.2 Column B references the page numbers in tables I, II, and III where the design and identification data for the applicable Mil-Std Part Number may be found.

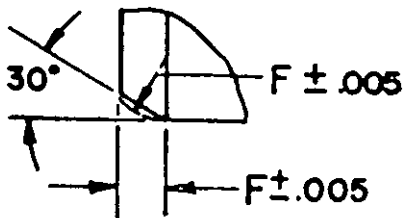
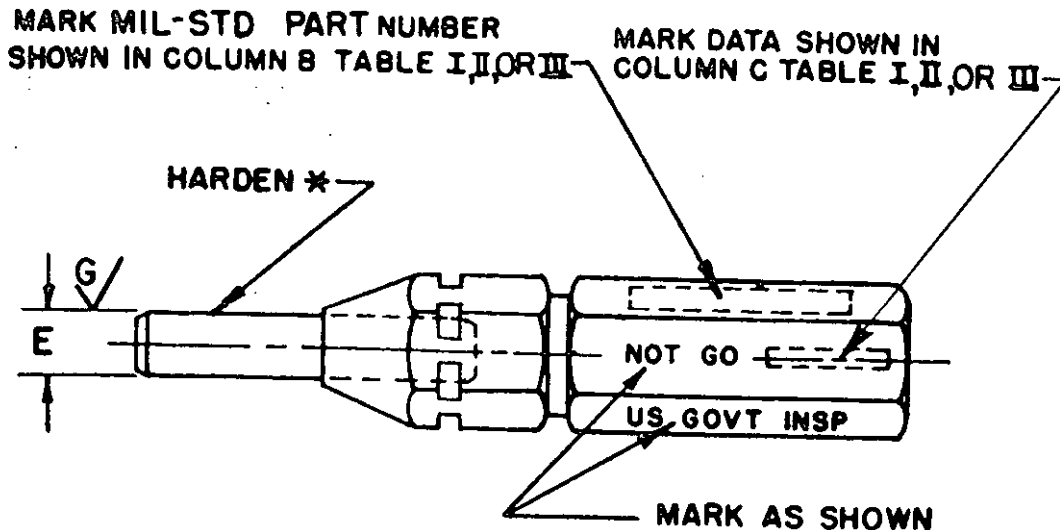
5. Procurement

5.1 The general requirements and tabulated design data contained in this standard are applicable for procurement purposes, as are the referenced manufacturing and inspection specifications.

5.2 Ordering Data. Procurement documents should specify the following:

- (a) Title, number, and date of this standard
- (b) Number of gages required and Mil-Std Part Number.
- (c) Place of delivery for acceptance inspection.

MIL-STD-134B
15 MARCH 1963



ENLARGED VIEW
CHAMFER OR RADIUS
ON BOTH ENDS OF WIRE

*HARDEN: ROCKWELL OR EQUIVALENT

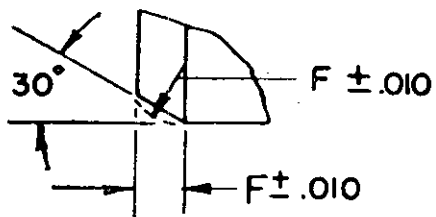
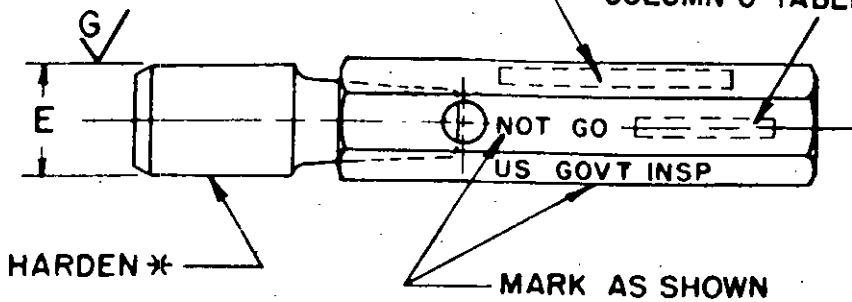
C55 TO C60 FOR DIA UP TO AND INCL .10
C60 TO C63 FOR DIA ABOVE .10 TO AND INCL .20
C63 TO C66 FOR DIA ABOVE .20

FIGURE 1. Not go plain plug gags (wire type).

MIL-STD-134B
15 MARCH 1963

MARK MIL-STD PART NUMBER
SHOWN IN COLUMN B TABLE I, II, OR III

MARK DATA SHOWN IN
COLUMN C TABLE I, II, OR III

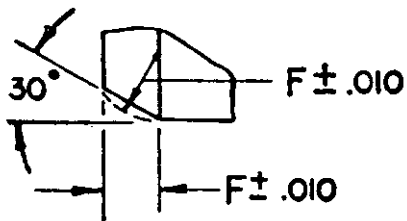
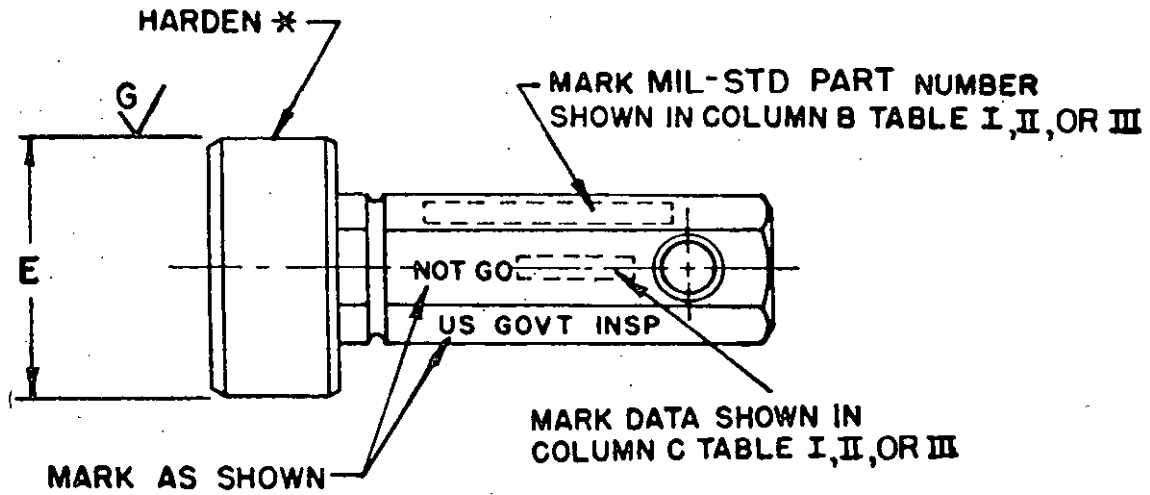


ENLARGED VIEW
CHAMFER OR RADIUS

* HARDEN: ROCKWELL OR EQUIVALENT
C63 TO C66

FIGURE 2. Not go plain plug gage (taperlock type).

MIL-STD-134B
15 MARCH 1963



ENLARGED VIEW
CHAMFER OR RADIUS
ON BOTH ENDS

*** HARDEN: ROCKWELL OR EQUIVALENT
C63 TO C66**

FIGURE 3. Not go plain plug gage (trilock type).

Mil-Std-134B
15 MARCH 1963Table I. Tabulation of Design and Identification Data -
Unified Standard Thread

FIGURE NO.	MARKING ON GAGE HANDLE		COMPONENT THREAD DESIGNATION	GAGE DIMENSIONS		FINISH
	MIL-STD PART NUMBER	NOT GO DIA		DIAMETER	CHAMFER	
A	B	C	D	E	F	G
1	5220-751-6264	.0514	(0) .060-80UNF-2B, 3B-1, 2, 3	.05140 -.00004	.008	4
1	5220-751-6265	.0623	(1) .073-64UNC-2B, 3B-1, 2, 3	.06230 -.00004	.008	4
1	5220-745-8244	.0635	(1) .073-72UNF-2B, 3B	.06350 -.00004	.008	4
1	5220-751-6267	.0737	(2) .086-56UNC-2B, 3B-1, 2, 3	.07370 -.00004	.008	4
1	5220-751-6268	.0753	(2) .086-64UNF-2B, 3B	.07530 -.00004	.015	4
1	5220-745-8412	.0845	(3) .099-48UNC-2B, 3B	.08450 -.00004	.015	4
1	5220-745-8428	.0865	(3) .099-56UNF-2B, 3B	.08650 -.00004	.015	4
1	5220-751-6271	.0939	(4) .112-40UNC-2B, 3B	.09390 -.00004	.015	4
1	5220-751-6272	.0968	(4) .112-48UNF-2B, 3B	.09680 -.00004	.015	4
1	5220-751-6273	.1062	(5) .125-40UNC-2B, 3B-1, 2, 3	.10620 -.00004	.015	4
1	5220-751-6274	.1079	(5) .125-44UNF-2B, 3B	.10790 -.00004	.015	4
1	5220-745-8646	.1140	(6) .138-32UNC-2B, 3B	.11400 -.00004	.015	4
1	5220-745-8686	.119	(6) .138-40UNF-2B	.11900 -.00004	.015	4
1	5220-751-6275	.1186	(6) .138-40UNF-3B	.11860 -.00004	.015	4
1	5220-745-8860	.139	(8) .164-32UNC-2B	.13900 -.00010	.015	8
1	5220-751-6276	.1389	(8) .164-32UNC-3B	.13890 -.00010	.015	8
1	5220-745-8890	.142	(8) .164-36UNF-2B	.14200 -.00010	.015	8
1	5220-751-6277	.1416	(8) .164-36UNF-3B	.14160 -.00010	.015	8
1	5220-745-9030	.156	(10) .190-24UNC-2B	.15600 -.00010	.015	8
1	5220-751-6278	.1555	(10) .190-24UNC-3B	.15550 -.00010	.015	8
1	5220-745-9110	.164	(10) .190-32UNF-2B	.16400 -.00010	.015	8
1	5220-751-6279	.1641	(10) .190-32UNF-3B	.16410 -.00010	.015	8

ORDBA Form 20-1679, (OT) 5 Oct 61

Mil-Std-134B
15 MARCH 1963

Table I. Tabulation of Design and Identification Data -
Unified Standard Thread (Continued)

FIGURE NO.	MARKING ON GAGE HANDLE		COMPONENT THREAD DESIGNATION	GAGE DIMENSIONS		FINISH
	MIL-STD PART NUMBER	NOT GO DIA		DIAMETER	CHAM- FER	
A	B	C	D	E	F	G
1	5220-745-9280	.181	(12) .216-24UNC-2B	.18100 -.00010	.015	8
1	5220-751-6280	.1807	(12) .216-24UNC-3B	.18070 -.00010	.015	8
1	5220-745-9330	.186	(12) .216-28UNF-2B	.18600 -.00010	.015	8
1	5220-751-6281	.1857	(12) .216-28UNF-3B	.18570 -.00010	.015	8
1	5220-745-9370	.1900	(12) .216-32UNEF-2B	.19000 -.00010	.015	8
1	5220-751-7108	.1895	(12) .216-32UNEF-3B	.18950 -.00010	.015	8
1	5220-745-9540	.207	.2500-20UNC-1B, 2B	.20700 -.00010	.015	8
1	5220-751-6282	.2067	.2500-20UNC-3B	.20670 -.00010	.015	8
1	5220-745-9670	.220	.2500-28UNF-1B, 2B	.22000 -.00010	.015	8
1	5220-745-9660	.2190	.2500-28UNF-3B	.21900 -.00010	.015	8
1	5220-745-9710	.224	.2500-32UNEF-2B	.22400 -.00010	.015	8
1	5220-751-6283	.2229	.2500-32UNEF-3B	.22290 -.00010	.015	8
1	5220-746-0120	.265	.3125-18UNC-1B, 2B	.26500 -.00010	.015	8
1	5220-746-0100	.2630	.3125-18UNC-3B	.26300 -.00010	.015	8
1	5220-746-0170	.270	.3125-20UN-2B	.27000 -.00010	.015	8
1	7518742	.2662	.3125-20UN-3B	.26620 -.00010	.015	8
1	5220-746-0240	.277	.3125-24UNF-1B, 2B	.27700 -.00010	.015	8
1	5220-751-6284	.2754	.3125-24UNF-3B	.27540 -.00010	.015	8
1	5220-746-0290	.282	.3125-28UN-2B	.28200 -.00010	.030	8
1	7518743	.2801	.3125-28UN-3B	.28010 -.00010	.015	8
1	5220-746-0330	.286	.3125-32UNEF-2B	.28600 -.00010	.030	8
1	5220-751-6285	.2847	.3125-32UNEF-3B	.28470 -.00010	.030	8

ORDBA Form 20-1679, (OT) 5 Oct 61

Mil-Std-134B
15 MARCH 1963Table I. Tabulation of Design and Identification Data -
Unified Standard Thread (Continued)

FIGURE NO.	MARKING ON GAGE HANDLE		COMPONENT THREAD DESIGNATION	GAGE DIMENSIONS		FINISH
	MIL-STD PART NUMBER	NOT GO DIA		DIAMETER	CHAM-FER	
A	B	C	D	E	F	G
1	5220-746-0680	.321	.3750-16UNC-1B,2B	.32100 -.00010	.030	8
1	5220-751-6286	.3182	.3750-16UNC-3B	.31820 -.00010	.030	8
1	5220-746-0790	.332	.3750-20UN-2B	.33200 -.00010	.030	8
1	7518744	.3287	.3750-20UN-3B	.32870 -.00010	.030	8
1	5220-746-0870	.340	.3750-24UNF-1B,2B	.34000 -.00010	.030	8
1	5220-751-6287	.3372	.3750-24UNF-3B	.33720 -.00010	.030	8
1	5220-746-0920	.345	.3750-28UN-2B	.34500 -.00010	.030	8
1	7518745	.3426	.3750-28UN-3B	.34260 -.00010	.030	8
1	5220-746-0960	.349	.3750-32UNEF-2B	.34900 -.00010	.030	8
1	5220-751-6288	.3469	.3750-32UNEF-3B	.34690 -.00010	.030	8
1	5220-746-1230	.376	.4375-14UNC-1B,2B	.37600 -.00010	.030	8
1	5220-751-6289	.3717	.4375-14UNC-3B	.37170 -.00010	.030	8
1	5220-746-1310	.384	.4375-16UN-2B	.38400 -.00010	.030	8
1	7518746	.3783	.4375-16UN-3B	.37830 -.00010	.030	8
1	5220-746-1420	.395	.4375-20UNF-1B,2B	.39500 -.00010	.030	8
1	5220-751-6290	.3916	.4375-20UNF-3B	.39160 -.00010	.030	8
1	5220-746-1540	.407	.4375-28UNEF-2B	.40700 -.00010	.030	8
1	5220-751-6291	.4051	.4375-28UNEF-3B	.40510 -.00010	.030	8
1	5220-746-1580	.411	.4375-32UN-2B	.41100 -.00010	.030	8
1	7518747	.4094	.4375-32UN-3B	.40940 -.00004	.030	4
1	5220-746-1810	.434	.5000-13UNC-1B,2B	.43400 -.00010	.030	8
1	5220-751-6292	.4284	.5000-13UNC-3B	.42840 -.00010	.030	8

ORDBA Form 20-1679, (OT) 5 Oct 61

Mil-Std-134B
15 MARCH 1963

Table I. Tabulation of Design and Identification Data -
Unified Standard Thread (Continued)

FIGURE NO.	MARKING ON GAGE HANDLE		COMPONENT THREAD DESIGNATION	GAGE DIMENSIONS		FINISH
	MIL-STD PART NUMBER	NOT GO DIA		DIAMETER	CHAM- FER	
A	B	C	D	E	F	G
1	5220-746-1930	.446	.5000-16UN-2B	.44600 -.00010	.030	8
1	7518748	.4408	.5000-16UN-3B	.44080 -.00010	.030	8
1	5220-746-2040	.457	.5000-20UNF-1B, 2B	.45700 -.00010	.030	8
1	5220-751-6293	.4537	.5000-20UNF-3B	.45370 -.00010	.030	8
1	5220-746-2170	.470	.5000-28UNEF-2B	.47000 -.00010	.030	8
1	5220-751-6294	.4676	.5000-28UNEF-3B	.46760 -.00010	.030	8
1	5220-746-2210	.474	.5000-32UN-2B	.47400 -.00010	.030	8
1	7518749	.4719	.5000-32UN-3B	.47190 -.00004	.030	4
1	5220-746-2370	.490	.5625-12UNC-1B, 2B	.49000 -.00010	.030	8
1	5220-751-6295	.4843	.5625-12UNC-3B	.48430 -.00010	.030	8
1	5220-746-2560	.509	.5625-16UN-2B	.50900 -.00010	.030	8
1	7518750	.5033	.5625-16UN-3B	.50330 -.00010	.030	8
2	5220-746-2620	.515	.5625-18UNF-1B, 2B	.51500 -.00010	.030	8
2	5220-751-6296	.5106	.5625-18UNF-3B	.51060 -.00010	.030	8
2	5220-746-2670	.520	.5625-20UN-2B	.52000 -.00010	.030	8
2	7518751	.5162	.5625-20UN-3B	.51620 -.00010	.030	8
2	5220-746-2740	.527	.5625-24UNEF-2B	.52700 -.00010	.030	8
2	5220-751-6297	.5244	.5625-24UNEF-3B	.52440 -.00010	.030	8
2	5220-746-2790	.532	.5625-28UN-2B	.53200 -.00010	.030	8
2	7518752	.5301	.5625-28UN-3B	.53010 -.00010	.030	8
2	5220-746-2830	.536	.5625-32UN-2B	.53600 -.00010	.030	8
2	7518753	.5344	.5625-32UN-3B	.53440 -.00004	.030	4

MIL-Std-134B
15 MARCH 1963Table I. Tabulation of Design and Identification Data -
Unified Standard Thread (Continued)

FIGURE NO.	MARKING ON GAGE HANDLE		COMPONENT THREAD DESIGNATION	GAGE DIMENSIONS		FINISH
	MIL-STD PART NUMBER	NOT GO DIA		DIAMETER	CHAM- FER	
A	B	C	D	E	F	G
2	5220-746-2930	.546	.6250-11UNC-1B, 2B	.54600 -.00010	.030	8
2	5220-751-6298	.5391	.6250-11UNC-3B	.53910 -.00010	.030	8
2	5220-746-3000	.553	.6250-12UN-2B	.55300 -.00010	.030	8
2	5220-751-7110	.5463	.6250-12UN-3B	.54630 -.00010	.030	8
2	5220-746-3180	.571	.6250-16UN-2B	.57100 -.00010	.030	8
2	7518754	.5658	.6250-16UN-3B	.56580 -.00010	.030	8
2	5220-746-3250	.578	.6250-18UNF-1B, 2B	.57800 -.00010	.030	8
2	5220-746-3200	.5730	.6250-18UNF-3B	.57300 -.00010	.030	8
2	5220-746-3290	.582	.6250-20UN-2B	.58200 -.00010	.030	8
2	7518755	.5787	.6250-20UN-3B	.57870 -.00010	.030	8
2	5220-746-3370	.590	.6250-24UNEF-2B	.59000 -.00010	.030	8
2	5220-751-6299	.5869	.6250-24UNEF-3B	.58690 -.00010	.030	8
2	5220-746-3420	.595	.6250-28UN-2B	.59500 -.00010	.030	8
2	7518756	.5936	.6250-28UN-3B	.59360 -.00010	.030	8
2	5220-746-3460	.599	.6250-32UN-2B	.59900 -.00010	.030	8
2	7518757	.5969	.6250-32UN-3B	.59690 -.00004	.030	4
2	5220-746-3620	.615	.6875-12UN-2B	.61500 -.00010	.030	8
2	5220-751-7111	.6085	.6875-12UN-3B	.60850 -.00010	.030	8
2	5220-746-3810	.634	.6875-16UN-2B	.63400 -.00010	.030	8
2	7518758	.6283	.6875-16UN-3B	.62830 -.00010	.030	8
2	5220-746-3920	.645	.6875-20UN-2B	.64500 -.00010	.030	8
2	7518759	.6412	.6875-20UN-3B	.64120 -.00010	.030	8

ORDBA Form 30-1679, (OT) 5 Oct 61

Mil-Std-134B
15 MARCH 1963

Table I. Tabulation of Design and Identification Data -
Unified Standard Thread (Continued)

FIGURE NO.	MARKING ON GAGE HANDLE		COMPONENT THREAD DESIGNATION	GAGE DIMENSIONS		FINISH
	MIL-STD PART NUMBER	NOT GO DIA		DIAMETER	CHAM-FER	
A	B	C	D	E	F	G
2	5220-746-3990	.652	.6875-24UNEF-2B	.65200 -.00010	.030	8
2	5220-751-6300	.6494	.6875-24UNEF-3B	.64940 -.00010	.030	8
2	5220-746-4040	.657	.6875-28UN-2B	.65700 -.00010	.030	8
2	7518760	.6551	.6875-28UN-3B	.65510 -.00010	.030	8
2	5220-746-4080	.661	.6875-32UN-2B	.66100 -.00010	.030	8
2	7518761	.6594	.6875-32UN-3B	.65940 -.00004	.030	4
2	5220-746-4100	.663	.7500-10UNC-1B, 2B	.66300 -.00010	.030	8
2	5220-751-6301	.6545	.7500-10UNC-3B	.65450 -.00010	.030	8
2	5220-746-4250	.678	.7500-12UN-2B	.67800 -.00010	.030	8
2	5220-751-7112	.6707	.7500-12UN-3B	.67070 -.00010	.030	8
2	5220-746-4430	.696	.7500-16UNF-1B, 2B	.69600 -.00010	.030	8
2	5220-751-6302	.6908	.7500-16UNF-3B	.69080 -.00010	.030	8
2	5220-746-4540	.707	.7500-20UNEF-2B	.70700 -.00010	.030	8
2	5220-751-6303	.7037	.7500-20UNEF-3B	.70370 -.00010	.030	8
2	5220-746-4670	.720	.7500-28UN-2B	.72000 -.00010	.030	8
2	7518762	.7176	.7500-28UN-3B	.71760 -.00010	.030	8
2	5220-746-4710	.724	.7500-32UN-2B	.72400 -.00010	.030	8
2	7518763	.7219	.7500-32UN-3B	.72190 -.00004	.030	4
2	5220-746-4870	.740	.8125-12UN-2B	.74000 -.00010	.030	8
2	5220-751-7113	.7329	.8125-12UN-3B	.73290 -.00010	.030	8
2	5220-746-5060	.759	.8125-16UN-2B	.75900 -.00010	.030	8
2	5220-751-7114	.7533	.8125-16UN-3B	.75330 -.00010	.030	8

ORDBA Form 20-1679, (OT) 5 Oct 61

Mil-Std-134B
15 MARCH 1963Table I. Tabulation of Design and Identification Data -
Unified Standard Thread (Continued)

FIGURE NO.	MARKING ON GAGE HANDLE		COMPONENT THREAD DESIGNATION	GAGE DIMENSIONS		FINISH
	MIL-STD PART NUMBER	NOT GO DIA		DIAMETER	CHAM-FER	
A	B	C	D	E	F	G
2	5220-746-5170	.770	.8125-20UNEF-2B	.77000 -.00010	.030	8
2	5220-751-6304	.7662	.8125-20UNEF-3B	.76620 -.00010	.030	8
2	5220-746-5290	.782	.8125-28UN-2B	.78200 -.00010	.030	8
2	7518764	.7801	.8125-28UN-3B	.78010 -.00010	.030	8
2	5220-746-5330	.786	.8125-32UN-2B	.78600 -.00010	.030	8
2	7518765	.7844	.8125-32UN-3B	.78440 -.00004	.030	4
2	5220-746-5250	.778	.8750-9UNC-1B,2B	.77800 -.00010	.030	8
2	5220-751-6305	.7681	.8750-9UNC-3B	.76810 -.00010	.030	8
2	5220-746-5500	.803	.8750-12UN-2B	.80300 -.00010	.030	8
2	5220-751-7115	.7952	.8750-12UN-3B	.79520 -.00010	.030	8
2	5220-746-5610	.814	.8750-14UNF-1B,2B	.81400 -.00010	.030	8
2	5220-751-6306	.8068	.8750-14UNF-3B	.80680 -.00010	.030	8
2	5220-746-5680	.821	.8750-16UN-2B	.82100 -.00010	.030	8
2	5220-751-7116	.8158	.8750-16UN-3B	.81580 -.00010	.030	8
2	5220-746-5778	.832	.8750-20UNEF-2B	.83200 -.00012	.030	8
2	5220-751-6307	.8287	.8750-20UNEF-3B	.82870 -.00012	.030	8
2	5220-746-5882	.845	.8750-28UN-2B	.84500 -.00012	.030	8
2	7518766	.8426	.8750-28UN-3B	.84260 -.00012	.030	8
2	5220-746-5914	.849	.8750-32UN-2B	.84900 -.00012	.030	8
2	7518767	.8469	.8750-32UN-3B	.84690 -.00006	.030	4
2	5220-746-6042	.865	.9375-12UN-2B	.86500 -.00012	.030	8
2	5220-751-7117	.8575	.9375-12UN-3B	.85750 -.00012	.030	8

ORDBA Form 20-1a79, (OT) 5, Oct 61

Mil-Std-134B
15 MARCH 1963

Table I. Tabulation of Design and Identification Data -
Unified Standard Thread (Continued)

FIGURE NO.	MARKING ON GAGE HANDLE		COMPONENT THREAD DESIGNATION	GAGE DIMENSIONS		FINISH
	MIL-STD PART NUMBER	NOT GO DIA		DIAMETER	CHAM-FER	
A	B	C	D	E	F	G
2	5220-746-6194	.884	.9375-16UN-2B	.88400 -.00012	.030	8
2	5220-751-7118	.8783	.9375-16UN-3B	.87830 -.00012	.030	8
2	5220-746-6282	.895	.9375-20UNEF-2B	.89500 -.00012	.030	8
2	5220-751-6308	.8912	.9375-20UNEF-3B	.89120 -.00012	.030	8
2	5220-746-6378	.907	.9375-28UN-2B	.90700 -.00012	.030	8
2	7518768	.9051	.9375-28UN-3B	.90510 -.00012	.030	8
2	5220-746-6410	.911	.9375-32UN-2B	.91100 -.00012	.030	8
2	7518769	.9094	.9375-32UN-3B	.90940 -.00006	.030	4
2	5220-746-6242	.890	1.0000-8UNC-1B, 2B	.89000 -.00012	.030	8
2	5220-751-6309	.8797	1.0000-8UNC-3B	.87970 -.00012	.030	8
2	5220-746-6546	.928	1.0000-12UNF-1B, 2B	.92800 -.00012	.030	8
2	5220-751-6310	.9198	1.0000-12UNF-3B	.91980 -.00012	.030	8
2	5220-746-6690	.946	1.0000-16UN-2B	.94600 -.00012	.030	8
2	5220-751-7119	.9408	1.0000-16UN-3B	.94080 -.00012	.030	8
2	5220-746-6778	.957	1.0000-20UNEF-2B	.95700 -.00012	.030	8
2	5220-751-6312	.9537	1.0000-20UNEF-3B	.95370 -.00012	.030	8
2	5220-746-6882	.970	1.0000-28UN-2B	.97000 -.00012	.030	8
2	7518770	.9676	1.0000-28UN-3B	.96760 -.00012	.030	8
2	5220-746-6914	.974	1.0000-32UN-2B	.97400 -.00012	.030	8
2	7518771	.9719	1.0000-32UN-3B	.97190 -.00006	.030	4
2	5220-746-6738	.952	1.0625-8UN-2B	.95200 -.00012	.030	8
2	7518772	.9422	1.0625-8UN-3B	.94220 -.00012	.030	8

ORDBA Form 20-1677, (OT) 5 Oct 61

Mil-Std-134B
15 MARCH 1963Table I. Tabulation of Design and Identification Data -
Unified Standard Thread (Continued)

FIGURE NO.	MARKING ON GAGE HANDLE		COMPONENT THREAD DESIGNATION	GAGE DIMENSIONS		FINISH
	MIL-STD PART NUMBER	NOT GO DIA		DIAMETER	CHAM-FER	
A	B	C	D	E	F	G
2	5220-746-7042	.990	1.0625-12UN-2B	.99000 -.00012	.030	8
2	5220-751-6313	.9823	1.0625-12UN-3B	.98230 -.00012	.030	8
2	5220-746-7194	1.009	1.0625-16UN-2B	1.00900 -.00012	.030	8
2	5220-751-7120	1.0033	1.0625-16UN-3B	1.00330 -.00012	.030	8
2	5220-746-7242	1.015	1.0625-18UNEF-2B	1.01500 -.00012	.030	8
2	5220-751-6314	1.0105	1.0625-18UNEF-3B	1.01050 -.00012	.030	8
2	5220-746-7282	1.020	1.0625-20UN-2B	1.02000 -.00012	.030	8
2	7518773	1.0162	1.0625-20UN-3B	1.01620 -.00012	.030	8
2	5220-746-7378	1.032	1.0625-28UN-2B	1.03200 -.00012	.030	8
2	7518774	1.0301	1.0625-28UN-3B	1.03010 -.00012	.030	8
2	5220-746-7106	.998	1.1250-7UNC-1B, 2B	.99800 -.00012	.030	8
2	5220-751-6315	.9875	1.1250-7UNC-3B	.98750 -.00012	.030	8
2	5220-746-7242	1.015	1.1250-8UN-2B	1.01500 -.00012	.030	8
2	5220-751-6316	1.0047	1.1250-8UN-3B	1.00470 -.00012	.030	8
2	5220-746-7546	1.053	1.1250-12UNF-1B, 2B	1.05300 -.00012	.030	8
2	5220-751-6317	1.0448	1.1250-12UNF-3B	1.04480 -.00012	.030	8
2	5220-746-7690	1.071	1.1250-16UN-2B	1.07100 -.00012	.030	8
2	5220-751-7121	1.0658	1.1250-16UN-3B	1.06580 -.00012	.030	8
2	5220-746-7746	1.078	1.1250-18UNEF-2B	1.07800 -.00012	.030	8
2	5220-746-7706	1.0730	1.1250-18UNEF-3B	1.07300 -.00012	.030	8
2	5220-746-7778	1.082	1.1250-20UN-2B	1.08200 -.00012	.030	8
2	7518775	1.0787	1.1250-20UN-3B	1.07870 -.00012	.030	8

ORDBA Form 20-1679, (07) 5 Oct 61

Mil-Std-134B
15 MARCH 1963

Table I. Fabrication of Design and Identification Data -
Unified Standard Thread (Continued)

FIGURE NO.	MARKING ON GAGE HANDLE		COMPONENT THREAD DESIGNATION	GAGE DIMENSIONS		FINISH
	MIL-STD PART NUMBER	NOT GO DIA		DIAMETER	CHAMFER	
A	B	C	D	E	F	G
2	5220-746-7882	1.095	1.1250-28UN-2B	1.09500 - .00012	.030	8
2	7518776	1.0926	1.1250-28UN-3B	1.09260 - .00012	.030	8
2	5220-746-7738	1.077	1.1875-8UN-2B	1.07700 - .00012	.030	8
2	7518777	1.0672	1.1875-8UN-3B	1.06720 - .00012	.030	8
2	5220-746-8042	1.115	1.1875-12UN-2B	1.11500 - .00012	.030	8
2	5220-751-6318	1.1073	1.1875-12UN-3B	1.10730 - .00012	.030	8
2	5220-746-8194	1.134	1.1875-16UN-2B	1.13400 - .00012	.030	8
2	5220-751-7122	1.1283	1.1875-16UN-3B	1.12830 - .00012	.030	8
2	5220-746-8242	1.140	1.1875-18UNEF-2B	1.14000 - .00012	.030	8
2	5220-751-6319	1.1355	1.1875-18UNEF-3B	1.13550 - .00012	.030	8
2	5220-746-8282	1.145	1.1875-20UN-2B	1.14500 - .00012	.030	8
2	7518778	1.1412	1.1875-20UN-3B	1.14120 - .00012	.030	8
2	5220-746-8378	1.157	1.1875-28UN-2B	1.15700 - .00012	.030	8
2	7518779	1.1551	1.1875-28UN-3B	1.15510 - .00012	.030	8
2	5220-746-8106	1.123	1.2500-7UNC-1B, 2B	1.12300 - .00012	.030	8
2	5220-751-6320	1.1125	1.2500-7UNC-3B	1.11250 - .00012	.030	8
2	5220-746-8242	1.140	1.2500-8UN-2B	1.14000 - .00012	.030	8
2	5220-751-6321	1.1297	1.2500-8UN-3B	1.12970 - .00012	.030	8
2	5220-746-8546	1.178	1.2500-12UNF-1B, 2B	1.17800 - .00012	.030	8
2	5220-751-6322	1.1698	1.2500-12UNF-3B	1.16980 - .00012	.030	8
2	5220-746-8690	1.196	1.2500-16UN-2B	1.19600 - .00012	.030	8
2	5220-751-7123	1.1908	1.2500-16UN-3B	1.19080 - .00012	.030	8

ORDBA Form 20-1679, (OT) 5 Oct 61

Mil-Std-134B
15 MARCH 1963Table I. Tabulation of Design and Identification Data -
Unified Standard Thread (Continued)

FIGURE NO.	MARKING ON GAGE HANDLE		COMPONENT THREAD DESIGNATION	GAGE DIMENSIONS		FINISH
	MIL-STD PART NUMBER	NOT GO DIA		DIAMETER	CHAM- FER	
A	B	C	D	E	F	G
2	5220-746-8746	1.203	1.2500-18UNEF-2B	1.20300 -.00012	.030	8
2	5220-746-8706	1.1980	1.2500-18UNEF-3B	1.19800 -.00012	.030	8
2	5220-746-8778	1.207	1.2500-20UN-2B	1.20700 -.00012	.030	8
2	7518780	1.2037	1.2500-20UN-3B	1.20370 -.00012	.030	8
2	5220-746-8882	1.220	1.2500-28UN-2B	1.22000 -.00012	.030	8
2	7518781	1.2176	1.2500-28UN-3B	1.21760 -.00012	.030	8
2	5220-746-8738	1.202	1.3125-8UN-2B	1.20200 -.00012	.030	8
2	7518782	1.1922	1.3125-8UN-3B	1.19220 -.00012	.030	8
2	5220-746-9042	1.240	1.3125-12UN-2B	1.24000 -.00012	.030	8
2	5220-751-6323	1.2323	1.3125-12UN-3B	1.23230 -.00012	.030	8
2	5220-746-9194	1.259	1.3125-16UN-2B	1.25900 -.00012	.030	8
2	5220-751-7124	1.2533	1.3125-16UN-3B	1.25330 -.00012	.030	8
2	5220-746-9242	1.265	1.3125-18UNEF-2B	1.26500 -.00012	.030	8
2	5220-751-6324	1.2605	1.3125-18UNEF-3B	1.26050 -.00012	.030	8
2	5220-746-9282	1.270	1.3125-20UN-2B	1.27000 -.00012	.030	8
2	7518783	1.2662	1.3125-20UN-3B	1.26620 -.00012	.030	8
2	5220-746-9378	1.282	1.3125-28UN-2B	1.28200 -.00012	.030	8
2	7518784	1.2801	1.3125-28UN-3B	1.28010 -.00012	.030	8
2	5220-746-8922	1.225	1.3750-6UNC-1B, 2B	1.22500 -.00012	.030	8
2	5220-751-6325	1.2146	1.3750-6UNC-3B	1.21460 -.00012	.030	8
2	5220-746-9242	1.265	1.3750-8UN-2B	1.26500 -.00012	.030	8
2	5220-751-6326	1.2547	1.3750-8UN-3B	1.25470 -.00012	.030	8

ORDBA Form 20-1679, (OT) 5 Oct 61

Mil-Std-134B
15 MARCH 1963

Table I. Tabulation of Design and Identification Data -
Unified Standard Thread (Continued)

FIGURE NO.	MARKING ON GAGE HANDLE		COMPONENT THREAD DESIGNATION	GAGE DIMENSIONS		FINISH
	MIL-STD PART NUMBER	NOT GO DIA		DIAMETER	CHAM-FER	
A	B	C	D	E	F	G
2	5220-746-9546	1.303	1.3750-12UNF-1B, 2B	1.30300 -.00012	.030	8
2	5220-751-6327	1.2948	1.3750-12UNF-3B	1.29480 -.00012	.030	8
2	5220-746-9690	1.321	1.3750-16UN-2B	1.32100 -.00012	.030	8
2	5220-751-7125	1.3158	1.3750-16UN-3B	1.31580 -.00012	.030	8
2	5220-746-9746	1.328	1.3750-18UNEF-2B	1.32800 -.00012	.030	8
2	5220-746-9706	1.3230	1.3750-18UNEF-3B	1.32300 -.00012	.030	8
2	5220-746-9778	1.332	1.3750-20UN-2B	1.33200 -.00012	.030	8
2	7518785	1.3287	1.3750-20UN-3B	1.32870 -.00012	.030	8
2	5220-746-9882	1.345	1.3750-28UN-2B	1.34500 -.00012	.030	8
2	7518786	1.3426	1.3750-28UN-3B	1.34260 -.00012	.030	8
2	5220-746-9426	1.288	1.4375-6UN-2B	1.28800 -.00012	.030	8
2	7518787	1.2771	1.4375-6UN-3B	1.27710 -.00012	.030	8
2	5220-746-9738	1.327	1.4375-8UN-2B	1.32700 -.00012	.030	8
2	7518788	1.3172	1.4375-8UN-3B	1.31720 -.00012	.030	8
2	5220-747-0002	1.360	1.4375-12UN-2B	1.36000 -.00012	.030	8
2	5220-751-6328	1.3573	1.4375-12UN-3B	1.35730 -.00012	.030	8
2	5220-747-0194	1.384	1.4375-16UN-2B	1.38400 -.00012	.030	8
2	5220-751-7126	1.3783	1.4375-16UN-3B	1.37830 -.00012	.030	8
2	5220-747-0242	1.390	1.4375-18UNEF-2B	1.39000 -.00012	.030	8
2	5220-751-6329	1.3855	1.4375-18UNEF-3B	1.38550 -.00012	.030	8
2	5220-747-0282	1.395	1.4375-20UN-2B	1.39500 -.00012	.030	8
2	7518789	1.3912	1.4375-20UN-3B	1.39120 -.00012	.030	8

ORDBA Form 20-1679, (OT) 5 Oct 61

Mil-Std-134B
15 MARCH 1963Table I. Tabulation of Design and Identification Data -
Unified Standard Thread (Continued)

FIGURE NO.	MARKING ON GAGE HANDLE		COMPONENT THREAD DESIGNATION	GAGE DIMENSIONS		FINISH
	MIL-STD PART NUMBER	NOT GO DIA		DIAMETER	CHAM- FER	
A	B	C	D	E	F	G
2	5220-747-0378	1.407	1.4375-28UN-2B	1.40700 -.00012	.030	8
2	7518790	1.4051	1.4375-28UN-3B	1.40510 -.00012	.030	8
2	5220-746-9922	1.350	1.5000-6UNC-1B, 2B	1.35000 -.00012	.030	8
2	5220-751-6330	1.3396	1.5000-6UNC-3B	1.33960 -.00012	.030	8
2	5220-747-0242	1.390	1.5000-8UN-2B	1.39000 -.00012	.030	8
2	5220-751-6331	1.3797	1.5000-8UN-3B	1.37970 -.00012	.030	8
2	5220-747-0546	1.428	1.5000-12UNF-1B, 2B	1.42800 -.00012	.030	8
2	5220-751-6332	1.4198	1.5000-12UNF-3B	1.41980 -.00012	.030	8
2	5220-747-0690	1.446	1.5000-16UN-2B	1.44600 -.00012	.030	8
2	5220-751-7127	1.4408	1.5000-16UN-3B	1.44080 -.00012	.030	8
2	5220-747-0738	1.452	1.5000-18UNEF-2B	1.45200 -.00012	.030	8
2	5220-747-0706	1.4480	1.5000-18UNEF-3B	1.44800 -.00012	.030	8
2	5220-747-0778	1.457	1.5000-20UN-2B	1.45700 -.00012	.030	8
2	7518791	1.4537	1.5000-20UN-3B	1.45370 -.00012	.030	8
2	5220-747-0882	1.470	1.5000-28UN-2B	1.47000 -.00012	.030	8
2	7518792	1.4676	1.5000-28UN-3B	1.46760 -.00012	.030	8
2	5220-747-0426	1.413	1.5625-6UN-2B	1.41300 -.00012	.030	8
2	7518793	1.4021	1.5625-6UN-3B	1.40210 -.00012	.030	8
2	5220-747-0738	1.452	1.5625-8UN-2B	1.45200 -.00012	.030	8
2	7518794	1.4422	1.5625-8UN-3B	1.44220 -.00012	.030	8
2	5220-747-1042	1.490	1.5625-12UN-2B	1.49000 -.00012	.030	8
2	7518795	1.4823	1.5625-12UN-3B	1.48230 -.00012	.030	8

ORDBA Form 20-1679, (OT) 5 Oct 61

Mil-Std-134B
15 MARCH 1963

Table I. Tabulation of Design and Identification Data -
Unified Standard Thread (Continued)

FIGURE NO.	MARKING ON GAGE HANDLE		COMPONENT THREAD DESIGNATION	GAGE DIMENSIONS		FINISH
	MIL-STD PART NUMBER	NOT GO DIA		DIAMETER	CHAM-FER	
A	B	C	D	E	F	G
2	5220-747-1194	1.509	1.5625-16UN-2B	1.50900 -.00012	.030	8
2	5220-751-7128	1.5033	1.5625-16UN-3B	1.50330 -.00012	.030	8
3	5220-747-1242	1.515	1.5625-18UNEF-2B	1.51500 -.00016	.050	8
3	5220-751-6333	1.5105	1.5625-18UNEF-3B	1.51050 -.00016	.050	8
3	5220-747-1282	1.520	1.5625-20UN-2B	1.52000 -.00016	.050	8
3	7518796	1.5162	1.5625-20UN-3B	1.51620 -.00016	.050	8
2	5220-747-0922	1.475	1.6250-6UN-2B	1.47500 -.00012	.030	8
2	7518797	1.4646	1.6250-6UN-3B	1.46460 -.00012	.030	8
3	5220-747-1242	1.515	1.6250-8UN-2B	1.51500 -.00016	.050	8
2	5220-751-6334	1.5047	1.6250-8UN-3B	1.50470 -.00012	.030	8
3	5220-747-1546	1.553	1.6250-12UN-2B	1.55300 -.00016	.050	8
3	5220-751-6335	1.5448	1.6250-12UN-3B	1.54480 -.00016	.050	8
3	5220-747-1690	1.571	1.6250-16UN-2B	1.57100 -.00016	.050	8
3	5220-751-7129	1.5658	1.6250-16UN-3B	1.56580 -.00016	.050	8
3	5220-747-1746	1.578	1.6250-18UNEF-2B	1.57800 -.00016	.050	8
3	5220-747-1706	1.5730	1.6250-18UNEF-3B	1.57300 -.00016	.050	8
3	5220-747-1778	1.582	1.6250-20UN-2B	1.58200 -.00016	.050	8
3	7518798	1.5787	1.6250-20UN-3B	1.57870 -.00016	.050	8
3	5220-747-1426	1.538	1.6875-6UN-2B	1.53800 -.00016	.050	8
3	7518799	1.5271	1.6875-6UN-3B	1.52710 -.00016	.050	8
3	5220-747-1738	1.577	1.6875-8UN-2B	1.57700 -.00016	.050	8
3	7518800	1.5672	1.6875-8UN-3B	1.56720 -.00016	.050	8

ORDBA Form 20-1679, (OT) 5 Oct 61

Mil-Std-134B
15 MARCH 1963Table I. Tabulation of Design and Identification Data -
Unified Standard Thread (Continued)

FIGURE NO.	MARKING ON GAGE HANDLE		COMPONENT THREAD DESIGNATION	GAGE DIMENSIONS		FINISH
	MIL-STD PART NUMBER	NOT GO DIA		DIAMETER	CHAM-FER	
A	B	C	D	E	F	G
3	5220-747-2042	1.615	1.6875-12UN-2B	1.61500 - .00016	.050	8
3	5220-747-1978	1.6070	1.6875-12UN-3B	1.60700 - .00016	.050	8
3	5220-747-2194	1.634	1.6875-16UN-2B	1.63400 - .00016	.050	8
3	5220-751-7130	1.6283	1.6875-16UN-3B	1.62830 - .00016	.050	8
3	5220-747-2242	1.640	1.6875-18UNEF-2B	1.64000 - .00016	.050	8
3	5220-751-6336	1.6355	1.6875-18UNEF-3B	1.63550 - .00016	.050	8
3	5220-747-2282	1.645	1.6875-20UN-2B	1.64500 - .00016	.050	8
3	7518801	1.6412	1.6875-20UN-3B	1.64120 - .00016	.050	8
3	5220-747-1666	1.568	1.7500-5UNC-1B, 2B	1.56800 - .00016	.050	8
3	5220-751-6337	1.5575	1.7500-5UNC-3B	1.55750 - .00016	.050	8
3	5220-747-1922	1.600	1.7500-6UN-2B	1.60000 - .00016	.050	8
3	7518802	1.5896	1.7500-6UN-3B	1.58960 - .00016	.050	8
3	5220-747-2242	1.640	1.7500-8UN-2B	1.64000 - .00016	.050	8
3	5220-751-6338	1.6297	1.7500-8UN-3B	1.62970 - .00016	.050	8
3	5220-747-2546	1.678	1.7500-12UN-2B	1.67800 - .00016	.050	8
3	5220-751-6339	1.6698	1.7500-12UN-3B	1.66980 - .00016	.050	8
3	5220-747-2690	1.696	1.7500-16UN-2B	1.69600 - .00016	.050	8
3	5220-751-6340	1.6908	1.7500-16UN-3B	1.69080 - .00016	.050	8
3	5220-747-2778	1.707	1.7500-20UN-2B	1.70700 - .00016	.050	8
3	7518803	1.7037	1.7500-20UN-3B	1.70370 - .00016	.050	8
3	5220-747-2426	1.663	1.8125-6UN-2B	1.66300 - .00016	.050	8
3	7518804	1.6521	1.8125-6UN-3B	1.65210 - .00016	.050	8

ORDBA Form 20-1679, (OT) 5 Oct 61

M11-Std-134B
15 MARCH 1963

Table I. Tabulation of Design and Identification Data -
Unified Standard Thread (Continued)

FIGURE NO.	MARKING ON GAGE HANDLE		COMPONENT THREAD DESIGNATION	GAGE DIMENSIONS		FINISH
	MIL-STD PART NUMBER	NOT GO DIA		DIAMETER	CHAM-FER	
A	B	C	D	E	F	G
3	5220-747-2738	1.702	1.8125-8UN-2B	1.70200 -.00016	.050	8
3	7518805	1.6922	1.8125-8UN-3B	1.69220 -.00016	.050	8
3	5220-747-3042	1.740	1.8125-12UN-2B	1.74000 -.00016	.050	8
3	7518806	1.7320	1.8125-12UN-3B	1.73200 -.00016	.050	8
3	5220-747-3194	1.759	1.8125-16UN-2B	1.75900 -.00016	.050	8
3	5220-751-6341	1.7533	1.8125-16UN-3B	1.75330 -.00016	.050	8
3	5220-747-3282	1.770	1.8125-20UN-2B	1.77000 -.00016	.050	8
3	7518807	1.7662	1.8125-20UN-3B	1.76620 -.00016	.050	8
3	5220-747-2922	1.725	1.8750-6UN-2B	1.72500 -.00016	.050	8
3	7518808	1.7146	1.8750-6UN-3B	1.71460 -.00016	.050	8
3	5220-747-3242	1.765	1.8750-8UN-2B	1.76500 -.00016	.050	8
3	5220-751-6342	1.7547	1.8750-8UN-3B	1.75470 -.00016	.050	8
3	5220-747-3546	1.803	1.8750-12UN-2B	1.80300 -.00016	.050	8
3	5220-751-6343	1.7948	1.8750-12UN-3B	1.79480 -.00016	.050	8
3	5220-747-3690	1.821	1.8750-16UN-2B	1.82100 -.00016	.050	8
3	5220-751-6344	1.8158	1.8750-16UN-3B	1.81580 -.00016	.050	8
3	5220-747-3778	1.832	1.8750-20UN-2B	1.83200 -.00016	.050	8
3	7518809	1.8287	1.8750-20UN-3B	1.82870 -.00016	.050	8
3	5220-747-3426	1.788	1.9375-6UN-2B	1.78800 -.00016	.050	8
3	7518810	1.7771	1.9375-6UN-3B	1.77710 -.00016	.050	8
3	5220-747-3738	1.827	1.9375-8UN-2B	1.82700 -.00016	.050	8
3	7518811	1.8172	1.9375-8UN-3B	1.81720 -.00016	.050	8

ORDBA Form 20-1679, (OT) 5 Oct 61

Mil-Std-134B
15 MARCH 1963Table I. Tabulation of Design and Identification Data -
Unified Standard Thread (Continued)

FIGURE NO.	MARKING ON GAGE HANDLE		COMPONENT THREAD DESIGNATION	GAGE DIMENSIONS		FINISH
	MIL-STD PART NUMBER	NOT GO DIA		DIAMETER	CHAM- FER	
A	B	C	D	E	F	G
3	5220-747-4042	1.865	1.9375-12UN-2B	1.86500 -.00016	.050	8
3	5220-747-3978	1.8570	1.9375-12UN-3B	1.85700 -.00016	.050	8
3	5220-747-4194	1.884	1.9375-16UN-2B	1.88400 -.00016	.050	8
3	5220-751-6345	1.8783	1.9375-16UN-3B	1.87830 -.00016	.050	8
3	5220-747-4282	1.895	1.9375-20UN-2B	1.89500 -.00016	.050	8
3	7518812	1.8912	1.9375-20UN-3B	1.89120 -.00016	.050	8
3	5220-747-3482	1.795	2.0000-4½UNC-1B, 2B	1.79500 -.00016	.050	8
3	5220-751-6346	1.7861	2.0000-4½UNC-3B	1.78610 -.00016	.050	8
3	5220-747-3922	1.850	2.0000-6UN-2B	1.85000 -.00016	.050	8
3	7518813	1.8396	2.0000-6UN-3B	1.83960 -.00016	.050	8
3	5220-747-4242	1.890	2.0000-8UN-2B	1.89000 -.00016	.050	8
3	5220-751-6347	1.8797	2.0000-8UN-3B	1.87970 -.00016	.050	8
3	5220-747-4546	1.928	2.0000-12UN-2B	1.92800 -.00016	.050	8
3	5220-751-6348	1.9198	2.0000-12UN-3B	1.91980 -.00016	.050	8
3	5220-747-4690	1.946	2.0000-16UN-2B	1.94600 -.00016	.050	8
3	5220-751-6349	1.9408	2.0000-16UN-3B	1.94080 -.00016	.050	8
3	5220-747-4778	1.957	2.0000-20UN-2B	1.95700 -.00016	.050	8
3	7518814	1.9537	2.0000-20UN-3B	1.95370 -.00016	.050	8
3	5220-747-4922	1.975	2.1250-6UN-2B	1.97500 -.00016	.050	8
3	7518815	1.9646	2.1250-6UN-3B	1.96460 -.00016	.050	8
3	5220-747-5242	2.015	2.1250-8UN-2B	2.01500 -.00016	.050	8
3	5220-751-6351	2.0047	2.1250-8UN-3B	2.00470 -.00016	.050	8

ORDBA Form 20-1679, (OT) 3 Oct 61

MIL-Std-134B
15 MARCH 1963

Table K. Tabulation of Design and Identification Data -
Unified Standard Thread (Continued)

FIGURE NO.	MARKING ON GAGE HANDLE		COMPONENT THREAD DESIGNATION	GAGE DIMENSIONS		FINISH
	MIL-STD PART NUMBER	NOT GO DIA		DIAMETER	CHAMFER	
A	B	C	D	E	F	G
3	5220-747-5546	2.053	2.1250-12UN-2B	2.05300 - .00016	.050	8
3	5220-751-6352	2.0448	2.1250-12UN-3B	2.04480 - .00016	.050	8
3	5220-747-5690	2.071	2.1250-16UN-2B	2.07100 - .00016	.050	8
3	5220-751-6353	2.0658	2.1250-16UN-3B	2.06580 - .00016	.050	8
3	5220-747-5778	2.082	2.1250-20UN-2B	2.08200 - .00016	.050	8
3	7518816	2.0787	2.1250-20UN-3B	2.07870 - .00016	.050	8
3	5220-747-5482	2.045	2.2500-4½UNC-1B, 2B	2.04500 - .00016	.050	8
3	5220-751-6355	2.0361	2.2500-4½UNC-3B	2.03610 - .00016	.050	8
3	5220-747-5922	2.100	2.2500-6UN-2B	2.10000 - .00016	.050	8
3	7518817	2.0896	2.2500-6UN-3B	2.08960 - .00016	.050	8
3	5220-747-6242	2.140	2.2500-8UN-2B	2.14000 - .00016	.050	8
3	5220-751-6356	2.1297	2.2500-8UN-3B	2.12970 - .00016	.050	8
3	5220-747-6546	2.178	2.2500-12UN-2B	2.17800 - .00016	.050	8
3	5220-751-6357	2.1698	2.2500-12UN-3B	2.16980 - .00016	.050	8
3	5220-747-6690	2.196	2.2500-16UN-2B	2.19600 - .00016	.050	8
3	5220-751-6358	2.1908	2.2500-16UN-3B	2.19080 - .00016	.050	8
3	5220-747-6778	2.207	2.2500-20UN-2B	2.20700 - .00016	.050	8
3	7518818	2.2037	2.2500-20UN-3B	2.20370 - .00016	.050	8
3	5220-747-6930	2.226	2.3750-6UN-2B	2.22600 - .00016	.050	8
3	7518819	2.2146	2.3750-6UN-3B	2.21460 - .00016	.050	8
3	5220-747-7242	2.265	2.3750-8UN-2B	2.26500 - .00016	.050	8
3	7518820	2.2552	2.3750-8UN-3B	2.25520 - .00016	.050	8

ORDBA Form 20-1679, (OT) 5 Oct 61

Mil-Std-134B
15 MARCH 1963Table I. Tabulation of Design and Identification Data -
Unified Standard Thread (Continued)

FIGURE NO.	MARKING ON GAGE HANDLE		COMPONENT THREAD DESIGNATION	GAGE DIMENSIONS		FINISH
	MIL-STD PART NUMBER	NOT GO DIA		DIAMETER	CHAM-FER	
A	B	C	D	E	F	G
3	5220-747-7546	2.303	2.3750-12UN-2B	2.30300 -.00016	.050	8
3	5220-751-6360	2.2948	2.3750-12UN-3B	2.29480 -.00016	.050	8
3	5220-747-7690	2.321	2.3750-16UN-2B	2.32100 -.00016	.050	8
3	5220-751-6361	2.3158	2.3750-16UN-3B	2.31580 -.00016	.050	8
3	5220-747-7778	2.332	2.3750-20UN-2B	2.33200 -.00016	.050	8
3	7518821	2.3287	2.3750-20UN-3B	2.32870 -.00016	.050	8
3	5220-747-7258	2.267	2.5000-4UNC-1B,2B	2.26700 -.00016	.050	8
3	5220-751-6363	2.2594	2.5000-4UNC-3B	2.25940 -.00016	.050	8
3	5220-747-7922	2.350	2.5000-6UN-2B	2.35000 -.00016	.050	8
3	7518822	2.3396	2.5000-6UN-3B	2.33960 -.00016	.050	8
3	5220-747-8242	2.390	2.5000-8UN-2B	2.39000 -.00016	.050	8
3	5220-751-6364	2.3797	2.5000-8UN-3B	2.37970 -.00016	.050	8
3	5220-747-8546	2.428	2.5000-12UN-2B	2.42800 -.00016	.050	8
3	5220-751-6365	2.4198	2.5000-12UN-3B	2.41980 -.00016	.050	8
3	5220-747-8690	2.446	2.5000-16UN-2B	2.44600 -.00016	.050	8
3	5220-751-6366	2.4408	2.5000-16UN-3B	2.44080 -.00016	.050	8
3	5220-747-8778	2.457	2.5000-20UN-2B	2.45700 -.00016	.050	8
3	7518823	2.4537	2.5000-20UN-3B	2.45370 -.00016	.050	8
3	5220-747-8922	2.475	2.6250-6UN-2B	2.47500 -.00016	.050	8
3	7518824	2.4646	2.6250-6UN-3B	2.46460 -.00016	.050	8
3	7518825	2.515	2.6250-8UN-2B	2.51500 -.00020	.050	8
3	7518826	2.5052	2.6250-8UN-3B	2.50520 -.00016	.050	8

ORDBA Form 20-1679, (OT) 5 Oct 61

Mil-Std-134B
15 MARCH 1963

Table I. Tabulation of Design and Identification Data -
Unified Standard Thread (Continued)

FIGURE NO.	MARKING ON GAGE HANDLE		COMPONENT THREAD DESIGNATION	GAGE DIMENSIONS		FINISH
	MIL-STD PART NUMBER	NOT GO DIA		DIAMETER	CHAM-FER	
A	B	C	D	E	F	G
3	5220-751-6695	2.553	2.6250-12UN-2B	2.55300 -.00020	.050	8
3	5220-751-6367	2.5448	2.6250-12UN-3B	2.54480 -.00020	.050	8
3	5220-751-6696	2.571	2.6250-16UN-2B	2.57100 -.00020	.050	8
3	5220-751-6368	2.5658	2.6250-16UN-3B	2.56580 -.00020	.050	8
3	7518827	2.582	2.6250-20UN-2B	2.58200 -.00020	.050	8
3	7518828	2.5787	2.6250-20UN-3B	2.57870 -.00020	.050	8
3	5220-751-6697	2.517	2.7500-4UNC-1B,2B	2.51700 -.00020	.050	8
3	5220-751-6369	2.5094	2.7500-4UNC-3B	2.50940 -.00016	.050	8
3	7518829	2.600	2.7500-6UN-2B	2.60000 -.00020	.050	8
3	7518830	2.5896	2.7500-6UN-3B	2.58960 -.00020	.050	8
3	5220-751-6698	2.640	2.7500-8UN-2B	2.64000 -.00020	.050	8
3	5220-751-6370	2.6297	2.7500-8UN-3B	2.62970 -.00020	.050	8
3	5220-751-6699	2.678	2.7500-12UN-2B	2.67800 -.00020	.050	8
3	5220-751-6371	2.6698	2.7500-12UN-3B	2.66980 -.00020	.050	8
3	5220-751-6700	2.696	2.7500-16UN-2B	2.69600 -.00020	.050	8
3	5220-751-6372	2.6908	2.7500-16UN-3B	2.69080 -.00020	.050	8
3	7518831	2.707	2.7500-20UN-2B	2.70700 -.00020	.050	8
3	7518832	2.7037	2.7500-20UN-3B	2.70370 -.00020	.050	8
3	7518833	2.725	2.8750-6UN-2B	2.72500 -.00020	.050	8
3	7518834	2.7146	2.8750-6UN-3B	2.71460 -.00020	.050	8
3	7518835	2.765	2.8750-8UN-2B	2.76500 -.00020	.050	8
3	7518836	2.7552	2.8750-8UN-3B	2.75520 -.00020	.050	8

ORDBA Form 20-1679, (OT) 5 Oct 61

Mil-Std-134B
15 MARCH 1963Table I. Tabulation of Design and Identification Data -
Unified Standard Thread (Continued)

FIGURE NO.	MARKING ON GAGE HANDLE		COMPONENT THREAD DESIGNATION	GAGE DIMENSIONS		FINISH
	MIL-STD PART NUMBER	NOT GO DIA		DIAMETER	CHAM- FER	
A	B	C	D	E	F	G
3	5220-751-6701	2.803	2.8750-12UN-2B	2.80300 -.00020	.050	8
3	5220-751-6373	2.7948	2.8750-12UN-3B	2.79480 -.00020	.050	8
3	5220-751-6702	2.821	2.8750-16UN-2B	2.82100 -.00020	.050	8
3	5220-751-6374	2.8158	2.8750-16UN-3B	2.81580 -.00020	.050	8
3	7518837	2.832	2.8750-20UN-2B	2.83200 -.00020	.050	8
3	7518838	2.8287	2.8750-20UN-3B	2.82870 -.00020	.050	8
3	5220-751-6703	2.767	3.0000-4UNC-1B,2B	2.76700 -.00020	.050	8
3	5220-751-6375	2.7594	3.0000-4UNC-3B	2.75940 -.00020	.050	8
3	7518839	2.850	3.0000-6UN-2B	2.85000 -.00020	.050	8
3	7518840	2.8396	3.0000-6UN-3B	2.83960 -.00020	.050	8
3	5220-751-6704	2.890	3.0000-8UN-2B	2.89000 -.00020	.050	8
3	5220-751-6376	2.8797	3.0000-8UN-3B	2.87970 -.00020	.050	8
3	5220-751-6705	2.928	3.0000-12UN-2B	2.92800 -.00020	.050	8
3	5220-751-6377	2.9198	3.0000-12UN-3B	2.91980 -.00020	.050	8
3	5220-751-6706	2.946	3.0000-16UN-2B	2.94600 -.00020	.050	8
3	5220-751-6378	2.9408	3.0000-16UN-3B	2.94080 -.00020	.050	8
3	7518841	2.957	3.0000-20UN-2B	2.95700 -.00020	.050	8
3	7518842	2.9537	3.0000-20UN-3B	2.95370 -.00020	.050	8
3	7518843	2.975	3.1250-6UN-2B	2.97500 -.00020	.050	8
3	7518844	2.9646	3.1250-6UN-3B	2.96460 -.00020	.050	8
3	7518845	3.015	3.1250-8UN-2B	3.01500 -.00020	.050	8
3	7518846	3.0052	3.1250-8UN-3B	3.00520 -.00020	.050	8

ORDBA Form 20-1679, (OT) 5 Oct 61

Mil-Std-134B
15 MARCH 1963

Table I. Tabulation of Design and Identification Data -
Unified Standard Thread (Continued)

FIGURE NO.	MARKING ON GAGE HANDLE		COMPONENT THREAD DESIGNATION	GAGE DIMENSIONS		FINISH
	MIL-STD PART NUMBER	NOT GO DIA		DIAMETER	CHAM-FER	
A	B	C	D	E	F	G
3	5220-751-6707	3.053	3.1250-12UN-2B	3.05300 -.00020	.050	8
3	5220-751-6379	3.0448	3.1250-12UN-3B	3.04480 -.00020	.050	8
3	5220-751-6708	3.071	3.1250-16UN-2B	3.07100 -.00020	.050	8
3	5220-751-6380	3.0658	3.1250-16UN-3B	3.06580 -.00020	.050	8
3	5220-751-6709	3.017	3.2500-4UNC-1B,2B	3.01700 -.00020	.050	8
3	5220-751-6381	3.0094	3.2500-4UNC-3B	3.00940 -.00020	.050	8
3	7518847	3.100	3.2500-6UN-2B	3.10000 -.00020	.050	8
3	7518848	3.0896	3.2500-6UN-3B	3.08960 -.00020	.050	8
3	5220-751-6710	3.140	3.2500-8UN-2B	3.14000 -.00020	.050	8
3	5220-751-6382	3.1297	3.2500-8UN-3B	3.12970 -.00020	.050	8
3	5220-751-6711	3.178	3.2500-12UN-2B	3.17800 -.00020	.050	8
3	5220-751-6383	3.1698	3.2500-12UN-3B	3.16980 -.00020	.050	8
3	5220-751-6712	3.196	3.2500-16UN-2B	3.19600 -.00020	.050	8
3	5220-751-6384	3.1908	3.2500-16UN-3B	3.19080 -.00020	.050	8
3	7518849	3.225	3.3750-6UN-2B	3.22500 -.00020	.050	8
3	7518850	3.2146	3.3750-6UN-3B	3.21460 -.00020	.050	8
3	7518851	3.265	3.3750-8UN-2B	3.26500 -.00020	.050	8
3	7518852	3.2552	3.3750-8UN-3B	3.25520 -.00020	.050	8
3	5220-751-6713	3.303	3.3750-12UN-2B	3.30300 -.00020	.050	8
3	5220-751-6385	3.2948	3.3750-12UN-3B	3.29480 -.00020	.050	8
3	5220-751-6714	3.321	3.3750-16UN-2B	3.32100 -.00020	.050	8
3	5220-751-6386	3.3158	3.3750-16UN-3B	3.31580 -.00020	.050	8

ORDBA Form 20-1679, (OT) 5 Oct 61

MIL-Std-134B
 15 MARCH 1963

 Table E. Tabulation of Design and Identification Data -
 Unified Standard Thread (Continued)

FIGURE NO.	MARKING ON GAGE HANDLE		COMPONENT THREAD DESIGNATION	GAGE DIMENSIONS		FINISH
	MIL-STD PART NUMBER	NOT GO DIA		DIAMETER	CHAMFER	
A	B	C	D	E	F	G
3	5220-751-6715	3.267	3.5000-4UNC-1B, 2B	3.26700 - .00020	.050	8
3	5220-751-6387	3.2594	3.5000-4UNC-3B	3.25940 - .00020	.050	8
3	7518853	3.350	3.5000-6UN-2B	3.35000 - .00020	.050	8
3	7518854	3.3396	3.5000-6UN-3B	3.33960 - .00020	.050	8
3	5220-751-6716	3.390	3.5000-8UN-2B	3.39000 - .00020	.050	8
3	5220-751-6388	3.3797	3.5000-8UN-3B	3.37970 - .00020	.050	8
3	5220-751-6717	3.428	3.5000-12UN-2B	3.42800 - .00020	.050	8
3	5220-751-6389	3.4198	3.5000-12UN-3B	3.41980 - .00020	.050	8
3	5220-751-6718	3.446	3.5000-16UN-2B	3.44600 - .00020	.050	8
3	5220-751-6390	3.4408	3.5000-16UN-3B	3.44080 - .00020	.050	8
3	7518855	3.475	3.6250-6UN-2B	3.47500 - .00020	.050	8
3	7518856	3.4646	3.6250-6UN-3B	3.46460 - .00020	.050	8
3	7518857	3.515	3.6250-8UN-2B	3.51500 - .00020	.050	8
3	7518858	3.5052	3.6250-8UN-3B	3.50520 - .00020	.050	8
3	5220-751-6719	3.553	3.6250-12UN-2B	3.55300 - .00020	.050	8
3	5220-751-6391	3.5448	3.6250-12UN-3B	3.54480 - .00020	.050	8
3	5220-751-6720	3.571	3.6250-16UN-2B	3.57100 - .00020	.050	8
3	5220-751-6392	3.5658	3.6250-16UN-3B	3.56580 - .00020	.050	8
3	5220-751-6721	3.517	3.7500-4UNC-1B, 2B	3.51700 - .00020	.050	8
3	5220-751-6393	3.5094	3.7500-4UNC-3B	3.50940 - .00020	.050	8
3	7518859	3.600	3.7500-6UN-2B	3.60000 - .00020	.050	8
3	7518860	3.5896	3.7500-6UN-3B	3.58960 - .00020	.050	8

ORDBA Form 20-1679, (OT) 5 Oct 61

Mil-Std-134B
15 MARCH 1963

Table I. Tabulation of Design and Identification Data -
Unified Standard Thread (Continued)

FIGURE NO.	MARKING ON GAGE HANDLE		COMPONENT THREAD DESIGNATION	GAGE DIMENSIONS		FINISH
	MIL-STD PART NUMBER	NOT GO DIA		DIAMETER	CHAM-FER	
A	B	C	D	E	F	G
3	5220-751-6722	3.640	3.7500-8UN-2B	3.64000 - .00020	.050	8
3	5220-751-6394	3.6297	3.7500-8UN-3B	3.62970 - .00020	.050	8
3	5220-751-6723	3.678	3.7500-12UN-2B	3.67800 - .00020	.050	8
3	5220-751-6395	3.6698	3.7500-12UN-3B	3.66980 - .00020	.050	8
3	5220-751-6724	3.696	3.7500-16UN-2B	3.69600 - .00020	.050	8
3	5220-751-6396	3.6908	3.7500-16UN-3B	3.69080 - .00020	.050	8
3	7518861	3.725	3.8750-6UN-2B	3.72500 - .00020	.050	8
3	7518862	3.7146	3.8750-6UN-3B	3.71460 - .00020	.050	8
3	7518863	3.765	3.8750-8UN-2B	3.76500 - .00020	.050	8
3	7518864	3.7552	3.8750-8UN-3B	3.75520 - .00020	.050	8
3	5220-751-6725	3.803	3.8750-12UN-2B	3.80300 - .00020	.050	8
3	5220-751-6397	3.7948	3.8750-12UN-3B	3.79480 - .00020	.050	8
3	5220-751-6726	3.821	3.8750-16UN-2B	3.82100 - .00020	.050	8
3	5220-751-6398	3.8158	3.8750-16UN-3B	3.81580 - .00020	.050	8
3	5220-751-6727	3.767	4.0000-4UNC-1B,2B	3.76700 - .00020	.050	8
3	5220-751-6399	3.7594	4.0000-4UNC-3B	3.75940 - .00020	.050	8
3	7518865	3.850	4.0000-6UN-2B	3.85000 - .00020	.050	8
3	7518866	3.8396	4.0000-6UN-3B	3.83960 - .00020	.050	8
3	5220-751-6728	3.890	4.0000-8UN-2B	3.89000 - .00020	.050	8
3	5220-751-6400	3.8797	4.0000-8UN-3B	3.87970 - .00020	.050	8
3	5220-751-6729	3.928	4.0000-12UN-2B	3.92800 - .00020	.050	8
3	5220-751-6401	3.9198	4.0000-12UN-3B	3.91980 - .00020	.050	8

ORDBA Form 20-1679, (OT) 3 Oct 61

MIL-Std-134B
15 MARCH 1963Table I. Tabulation of Design and Identification Data -
Unified Standard Thread (Continued)

FIGURE NO.	MARKING ON GAGE HANDLE		COMPONENT THREAD DESIGNATION	GAGE DIMENSIONS		FINISH
	MIL-STD PART NUMBER	NOT GO DIA		DIAMETER	CHAM- FER	
A	B	C	D	E	F	G
3	5220-751-6730	3.946	4.0000-16UN-2B	3.94600 - .00020	.050	8
3	5220-751-6402	3.9408	4.0000-16UN-3B	3.94080 - .00020	.050	8
3	7518867	3.975	4.1250-6UN-2B	3.97500 - .00020	.050	8
3	7518868	3.9646	4.1250-6UN-3B	3.96460 - .00020	.050	8
3	7518869	4.052	4.1250-12UN-2B	4.05200 - .00020	.050	8
3	7518870	4.0448	4.1250-12UN-3B	4.04480 - .00020	.050	8
3	7518871	4.071	4.1250-16UN-2B	4.07100 - .00020	.050	8
3	7518872	4.0658	4.1250-16UN-3B	4.06580 - .00020	.050	8
3	7518873	4.017	4.2500-4UN-2B	4.01700 - .00020	.050	8
3	7518874	4.0094	4.2500-4UN-3B	4.00940 - .00020	.050	8
3	7518875	4.100	4.2500-6UN-2B	4.10000 - .00020	.050	8
3	7518876	4.0896	4.2500-6UN-3B	4.08960 - .00020	.050	8
3	5220-751-6732	4.178	4.2500-12UN-2B	4.17800 - .00020	.050	8
3	5220-751-6404	4.1698	4.2500-12UN-3B	4.16980 - .00020	.050	8
3	5220-751-6733	4.196	4.2500-16UN-2B	4.19600 - .00020	.050	8
3	5220-751-6405	4.1908	4.2500-16UN-3B	4.19080 - .00020	.050	8
3	7518877	4.225	4.3750-6UN-2B	4.22500 - .00020	.050	8
3	7518878	4.2146	4.3750-6UN-3B	4.21460 - .00020	.050	8
3	7518879	4.303	4.3750-12UN-2B	4.30300 - .00020	.050	8
3	7518880	4.2948	4.3750-12UN-3B	4.29480 - .00020	.050	8
3	7518881	4.321	4.3750-16UN-2B	4.32100 - .00020	.050	8
3	7518882	4.3158	4.3750-16UN-3B	4.31580 - .00020	.050	8

ORDBA Form 20-1677, (OT) 5 Oct 61

Mil-Std-134B
15 MARCH 1963

Table I. Tabulation of Design and Identification Data -
Unified Standard Thread (Continued)

FIGURE NO.	MARKING ON GAGE HANDLE		COMPONENT THREAD DESIGNATION	GAGE DIMENSIONS		FINISH
	MIL-STD PART NUMBER	NOT GO DIA		DIAMETER	CHAMFER	
A	B	C	D	E	F	G
3	7518883	4.267	4.5000-4UN-2B	4.26700 -.00020	.050	8
3	7518884	4.2594	4.5000-4UN-3B	4.25940 -.00020	.050	8
3	7518885	4.350	4.5000-6UN-2B	4.35000 -.00020	.050	8
3	7518886	4.3396	4.5000-6UN-3B	4.33960 -.00020	.050	8
3	5220-751-6735	4.428	4.5000-12UN-2B	4.42800 -.00020	.050	8
3	5220-751-6407	4.4198	4.5000-12UN-3B	4.41980 -.00020	.050	8
3	5220-751-6736	4.446	4.5000-16UN-2B	4.44600 -.00020	.050	8
3	5220-751-6408	4.4408	4.5000-16UN-3B	4.44080 -.00020	.050	8
3	7518887	4.475	4.6250-6UN-2B	4.47500 -.00020	.050	8
3	7518888	4.4646	4.6250-6UN-3B	4.46460 -.00020	.050	8
3	7518889	4.553	4.6250-12UN-2B	4.55300 -.00025	.050	8
3	7518890	4.5448	4.6250-12UN-3B	4.54480 -.00025	.050	8
3	7518891	4.571	4.6250-16UN-2B	4.57100 -.00025	.050	8
3	7518892	4.5658	4.6250-16UN-3B	4.56580 -.00025	.050	8
3	7518893	4.517	4.7500-4UN-2B	4.51700 -.00025	.050	8
3	7518894	4.5094	4.7500-4UN-3B	4.50940 -.00020	.050	8
3	7518895	4.600	4.7500-6UN-2B	4.60000 -.00025	.050	8
3	7518896	4.5896	4.7500-6UN-3B	4.58960 -.00025	.050	8
3	5220-751-6738	4.678	4.7500-12UN-2B	4.67800 -.00025	.050	8
3	5220-751-6410	4.6698	4.7500-12UN-3B	4.66980 -.00025	.050	8
3	5220-751-6739	4.696	4.7500-16UN-2B	4.69600 -.00025	.050	8
3	5220-751-6411	4.6908	4.7500-16UN-3B	4.69080 -.00025	.050	8

ORDBA Form 20-1673, (OT) 5 Or: 61

MIL-Std-134B
 15 MARCH 1963

 Table I. Tabulation of Design and Identification Data -
 Unified Standard Thread (Continued)

FIGURE NO.	MARKING ON GAGE HANDLE		COMPONENT THREAD DESIGNATION	GAGE DIMENSIONS		FINISH
	MIL-STD PART NUMBER	NOT GO DIA		DIAMETER	CHAM-FER	
A	B	C	D	E	F	G
3	7518897	4.725	4.8750-6UN-2B	4.72500 -.00025	.050	8
3	7518898	4.7146	4.8750-6UN-3B	4.71460 -.00025	.050	8
3	7518899	4.803	4.8750-12UN-2B	4.80300 -.00025	.050	8
3	7518900	4.7948	4.8750-12UN-3B	4.79480 -.00025	.050	8
3	7518901	4.821	4.8750-16UN-2B	4.82100 -.00025	.050	8
3	7518902	4.8158	4.8750-16UN-3B	4.81580 -.00025	.050	8
3	7518903	4.767	5.0000-4UN-2B	4.76700 -.00025	.050	8
3	7518904	4.7594	5.0000-4UN-3B	4.75940 -.00025	.050	8
3	7518905	4.850	5.0000-6UN-2B	4.85000 -.00025	.050	8
3	7518906	4.8396	5.0000-6UN-3B	4.83960 -.00025	.050	8
3	5220-751-6741	4.928	5.0000-12UN-2B	4.92800 -.00025	.050	8
3	5220-751-6413	4.9198	5.0000-12UN-3B	4.91980 -.00025	.050	8
3	5220-751-6742	4.946	5.0000-16UN-2B	4.94600 -.00025	.050	8
3	5220-751-6414	4.9408	5.0000-16UN-3B	4.94080 -.00025	.050	8
3	7518907	5.053	5.1250-12UN-2B	5.05300 -.00025	.050	8
3	7518908	5.0448	5.1250-12UN-3B	5.04480 -.00025	.050	8
3	7518909	5.071	5.1250-16UN-2B	5.07100 -.00025	.050	8
3	7518910	5.0658	5.1250-16UN-3B	5.06580 -.00025	.050	8
3	7518911	5.017	5.2500-4UN-2B	5.01700 -.00025	.050	8
3	7518912	5.0094	5.2500-4UN-3B	5.00940 -.00025	.050	8
3	5220-751-6744	5.178	5.2500-12UN-2B	5.17800 -.00025	.050	8
3	5220-751-6416	5.1698	5.2500-12UN-3B	5.16980 -.00025	.050	8

ORDBA Form 20-1677, (OT) 5 Or: 61

Mil-Std-134B
15 MARCH 1963

Table I. Tabulation of Design and Identification Data -
Unified Standard Thread (Continued)

FIGURE NO.	MARKING ON GAGE HANDLE		COMPONENT THREAD DESIGNATION	GAGE DIMENSIONS		FINISH
	MIL-STD PART NUMBER	NOT GO DIA		DIAMETER	CHAM-FER	
A	B	C	D	E	F	G
3	5220-751-6745	5.196	5.2500-16UN-2B	5.19600 - .00025	.050	8
3	5220-751-6417	5.1908	5.2500-16UN-3B	5.19080 - .00025	.050	8
3	7518913	5.303	5.3750-12UN-2B	5.30300 - .00025	.050	8
3	7518914	5.2948	5.3750-12UN-3B	5.29480 - .00025	.050	8
3	7518915	5.321	5.3750-16UN-2B	5.32100 - .00025	.050	8
3	7518916	5.3158	5.3750-16UN-3B	5.31580 - .00025	.050	8
3	7518917	5.267	5.5000-4UN-2B	5.26700 - .00025	.050	8
3	7518918	5.2594	5.5000-4UN-3B	5.25940 - .00025	.050	8
3	5220-751-6747	5.428	5.5000-12UN-2B	5.42800 - .00025	.050	8
3	5220-751-6419	5.4198	5.5000-12UN-3B	5.41980 - .00025	.050	8
3	5220-751-6748	5.446	5.5000-16UN-2B	5.44600 - .00025	.050	8
3	5220-751-6420	5.4408	5.5000-16UN-3B	5.44080 - .00025	.050	8
3	7518919	5.553	5.6250-12UN-2B	5.55300 - .00025	.050	8
3	7518920	5.5448	5.6250-12UN-3B	5.54480 - .00025	.050	8
3	7518921	5.571	5.6250-16UN-2B	5.57100 - .00025	.050	8
3	7518922	5.5658	5.6250-16UN-3B	5.56580 - .00025	.050	8
3	7518923	5.517	5.7500-4UN-2B	5.51700 - .00025	.050	8
3	7518924	5.5094	5.7500-4UN-3B	5.50940 - .00025	.050	8
3	5220-751-6750	5.678	5.7500-12UN-2B	5.67800 - .00025	.050	8
3	5220-751-6422	5.6698	5.7500-12UN-3B	5.66980 - .00025	.050	8
3	5220-751-6751	5.696	5.7500-16UN-2B	5.69600 - .00025	.050	8
3	5220-751-6423	5.6908	5.7500-16UN-3B	5.69080 - .00025	.050	8

ORDBA Form 20-1677, (OT) 5 Oct 61

Mil-Std-134B
15 MARCH 1963

Table I. Tabulation of Design and Identification Data -
Unified Standard Thread (Continued)

FIGURE NO.	MARKING ON GAGE HANDLE		COMPONENT THREAD DESIGNATION	GAGE DIMENSIONS		FINISH
	MIL-STD PART NUMBER	NOT GO DIA		DIAMETER	CHAM- FER	
A	B	C	D	E	F	G
3	7518925	5.803	5.8750-12UN-2B	5.80300 -.00025	.050	8
3	7518926	5.7948	5.8750-12UN-3B	5.79480 -.00025	.050	8
3	7518927	5.821	5.8750-16UN-2B	5.82100 -.00025	.050	8
3	7518928	5.8158	5.8750-16UN-3B	5.81580 -.00025	.050	8
3	7518929	5.767	6.0000-4UN-2B	5.76700 -.00025	.050	8
3	7518930	5.7594	6.0000-4UN-3B	5.75940 -.00025	.050	8
3	5220-751-6753	5.928	6.0000-12UN-2B	5.92800 -.00025	.050	8
3	5220-751-6425	5.9198	6.0000-12UN-3B	5.91980 -.00025	.050	8
3	5220-751-6754	5.946	6.0000-16UN-2B	5.94600 -.00025	.050	8
3	5220-751-6426	5.9408	6.0000-16UN-3B	5.94080 -.00025	.050	8

Mil-Std-134B
15 MARCH 1963

Table II. Tabulation of Design and Identification Data -
American National Standard Thread

FIGURE NO.	MARKING ON GAGE HANDLE		COMPONENT THREAD DESIGNATION	GAGE DIMENSIONS		FINISH
	MIL-STD PART NUMBER	NOT GO DIA		DIAMETER	CHAMFER	
A	B	C	D	E	F	G
1	5220-751-6264	.0514	(0) .060-80UNF-2B, 3B-1, 2, 3	.05140 - .00004	.008	4
1	5220-751-6265	.0623	(1) .073-64UNC-2B, 3B-1, 2, 3	.06230 - .00004	.008	4
1	5220-751-3002	.0634	(1) .073-72NF-1, 2, 3	.06340 - .00004	.008	4
1	5220-751-6267	.0737	(2) .086-56UNC-2B, 3B-1, 2, 3	.07370 - .00004	.008	4
1	5220-751-3004	.0746	(2) .086-64NF-1, 2, 3	.07460 - .00004	.008	4
1	5220-751-3005	.0841	(3) .099-48NC-1, 2, 3	.08410 - .00004	.015	4
1	5220-751-3006	.0856	(3) .099-56NF-1, 2, 3	.08560 - .00004	.015	4
1	5220-751-3007	.0938	(4) .112-40NC-1, 2, 3	.09380 - .00004	.015	4
1	5220-745-8502	.0960	(4) .112-48NF-1, 2, 3	.09600 - .00004	.015	4
1	5220-751-6273	.1062	(5) .125-40UNC-2B, 3B-1, 2, 3	.10620 - .00004	.015	4
1	5220-751-3009	.1068	(5) .125-44NF-1, 2, 3	.10680 - .00004	.015	4
1	5220-745-8652	.1145	(6) .138-32NC-1, 2, 3	.11450 - .00004	.015	4
1	5220-751-3011	.1179	(6) .138-40NF-1, 2, 3	.11790 - .00004	.015	4
1	5220-751-3012	.1384	(8) .164-32NC-1, 2, 3	.13840 - .00010	.015	8
1	5220-751-3013	.1402	(8) .164-36NF-1, 2, 3	.14020 - .00010	.015	8
1	5220-751-3014	.1559	(10) .190-24NC-1, 2, 3	.15590 - .00010	.015	8
1	5220-751-3015	.1624	(10) .190-32NF-1, 2, 3	.16240 - .00010	.015	8
1	5220-751-3016	.1801	(12) .216-24NC-1, 2, 3	.18010 - .00010	.015	8
1	5220-751-3017	.1835	(12) .216-28NF-1, 2, 3	.18350 - .00010	.015	8
1	5220-745-9344	.1875	(12) .216-32NEF-2, 3	.18750 - .00004	.015	4
1	5220-745-9530	.2060	.2500-20NC-1, 2, 3	.20600 - .00010	.015	8
1	5220-751-3018	.2173	.2500-28NF-1, 2, 3	.21730 - .00010	.015	8

ORDBA Form 20-1680. (OT) 5 Oct 61

Mil-Std-134B
15 MARCH 1963

Table II. Tabulation of Design and Identification Data -
American National Standard Thread (Continued)

FIGURE NO.	MARKING ON GAGE HANDLE		COMPONENT THREAD DESIGNATION	GAGE DIMENSIONS		FINISH
	MIL-STD PART NUMBER	NOT GO DIA		DIAMETER	CHAM-FER	
A	B	C	D	E	F	G
1	5220-745-9676	.2210	.2500-32NEF-2,3	.22100 -.00004	.015	4
1	5220-746-0100	.2630	.3125-18NC-1,2,3	.26300 -.00010	.015	8
1	5220-751-3020	.2739	.3125-24NF-1,2,3	.27390 -.00010	.015	8
1	5220-746-0304	.2835	.3125-32NEF-2,3	.28350 -.00004	.030	4
1	5220-751-3022	.3184	.3750-16NC-1,2,3	.31840 -.00010	.030	8
1	5220-751-3023	.3364	.3750-24NF-1,2,3	.33640 -.00010	.030	8
1	5220-746-0926	.3460	.3750-32NEF-2,3	.34600 -.00004	.030	4
1	5220-751-3025	.3721	.4375-14NC-1,2,3	.37210 -.00010	.030	8
1	5220-751-3026	.3906	.4375-20NF-1,2,3	.39060 -.00010	.030	8
1	5220-751-6755	.4044	.4375-28NEF-2,3	.40440 -.00004	.030	4
1	5220-751-3028	.4225	.5000-12N-2,3	.42250 -.00010	.030	8
1	5220-746-1760	.4290	.5000-13NC-1,2,3	.42900 -.00010	.030	8
1	5220-751-3029	.4531	.5000-20NF-1,2,3	.45310 -.00010	.030	8
1	5220-751-6756	.4669	.5000-28NEF-2,3	.46690 -.00004	.030	4
1	5220-746-2320	.4850	.5625-12NC-1,2,3	.48500 -.00010	.030	8
1	5220-746-2570	.5100	.5625-18NF-1,2,3	.51000 -.00010	.030	8
2	5220-751-6757	.5239	.5625-24NEF-2,3	.52390 -.00010	.030	8
2	5220-751-3032	.5397	.6250-11NC-1,2,3	.53970 -.00010	.030	8
2	5220-751-3033	.5438	.6250-12N-2,3	.54380 -.00010	.030	8
2	5220-751-3034	.5725	.6250-18NF-1,2,3	.57250 -.00010	.030	8
2	5220-751-6758	.5864	.6250-24NEF-2,3	.58640 -.00010	.030	8
2	5220-751-3035	.6063	.6875-12N-2,3	.60630 -.00010	.030	8

ORDBA Form 20-1680, (OT) 3 Oct 61

Mil-Std-134B
15 MARCH 1963Table II. Tabulation of Design and Identification Data
American National Standard Thread (Continued)

FIGURE NO.	MARKING ON GAGE HANDLE		COMPONENT THREAD DESIGNATION	GAGE DIMENSIONS		FINISH
	MIL-STD PART NUMBER	NOT GO DIA		DIAMETER	CHAM-FER	
A	B	C	D	E	F	G
2	5220-751-6759	.6489	.6875-24NEF-2,3	.64890 -.00010	.030	8
2	5220-751-3037	.6553	.7500-10NC-1,2,3	.65530 -.00010	.030	8
2	5220-751-3038	.6688	.7500-12N-2,3	.66880 -.00010	.030	8
2	5220-751-3039	.6903	.7500-16NF-1,2,3	.69030 -.00010	.030	8
2	5220-751-6760	.7031	.7500-20NEF-2,3	.70310 -.00010	.030	8
2	5220-751-3041	.7313	.8125-12N-2,3	.73130 -.00010	.030	8
2	5220-751-3042	.7528	.8125-16N-2,3	.75280 -.00010	.030	8
2	5220-751-6761	.7656	.8125-20NEF-2,3	.76560 -.00010	.030	8
2	5220-751-3044	.7689	.8750-9NC-1,2,3	.76890 -.00010	.030	8
2	5220-751-3045	.7938	.8750-12N-2,3	.79380 -.00010	.030	8
2	5220-751-3046	.8062	.8750-14NF-1,2,3	.80620 -.00010	.030	8
2	5220-751-3047	.8153	.8750-16N-2,3	.81530 -.00010	.030	8
2	5220-751-6762	.8281	.8750-20NEF-2,3	.82810 -.00012	.030	8
2	5220-751-3049	.8563	.9375-12N-2,3	.85630 -.00012	.030	8
2	5220-751-3050	.8778	.9375-16N-2,3	.87780 -.00012	.030	8
2	5220-751-6763	.8906	.9375-20NEF-2,3	.89060 -.00012	.030	8
2	5220-751-3052	.8795	1.0000-8NC-1,2,3	.87950 -.00012	.030	8
2	5220-751-3053	.9188	1.0000-12N-2,3	.91880 -.00012	.030	8
2	5220-751-3055	.9403	1.0000-16N-2,3	.94030 -.00012	.030	8
2	5220-751-6764	.9531	1.0000-20NEF-2,3	.95310 -.00012	.030	8
2	5220-751-3057	.9813	1.0625-12N-2,3	.98130 -.00012	.030	8
2	5220-751-3058	1.0028	1.0625-16N-2,3	1.00280 -.00012	.030	8

ORDBA Form 20-1680, (OT) 5 Oct 62

MIL-Std-134B
15 MARCH 1963

Table II. Tabulation of Design and Identification Data -
American National Standard Thread (Continued)

FIGURE NO.	MARKING ON GAGE HANDLE		COMPONENT THREAD DESIGNATION	GAGE DIMENSIONS		FINISH
	MIL-STD PART NUMBER	NOT GO DIA		DIAMETER	CHAM-FER	
A	B	C	D	E	F	G
2	5220-746-7202	1.0100	1.0625-18NEF-2,3	1.01000-.00012	.030	8
2	5220-751-3060	.9858	1.1250-7NC-1,2,3	.98580-.00012	.030	8
2	5220-751-3061	1.0045	1.1250-8N-2,3	1.00450-.00012	.030	8
2	5220-751-3062	1.0438	1.1250-12NF-1,2,3	1.04380-.00012	.030	8
2	5220-751-3063	1.0653	1.1250-16N-2,3	1.06530-.00012	.030	8
2	5220-751-6765	1.0725	1.1250-18NEF-2,3	1.07250-.00012	.030	8
2	5220-751-3065	1.1063	1.1875-12N-2,3	1.10630-.00012	.030	8
2	5220-751-3066	1.1278	1.1875-16N-2,3	1.12780-.00012	.030	8
2	5220-746-8202	1.1350	1.1875-18NEF-2,3	1.13500-.00012	.030	8
2	5220-751-3068	1.1108	1.2500-7NC-1,2,3	1.11080-.00012	.030	8
2	5220-751-3069	1.1295	1.2500-8N-2,3	1.12950-.00012	.030	8
2	5220-751-3070	1.1688	1.2500-12NF-1,2,3	1.16880-.00012	.030	8
2	5220-751-3071	1.1903	1.2500-16N-2,3	1.19030-.00012	.030	8
2	5220-751-6766	1.1975	1.2500-18NEF-2,3	1.19750-.00012	.030	8
2	5220-751-3073	1.2313	1.3125-12N-2,3	1.23130-.00012	.030	8
2	5220-751-3074	1.2528	1.3125-16N-2,3	1.25280-.00012	.030	8
2	5220-746-9202	1.2600	1.3125-18NEF-2,3	1.26000-.00012	.030	8
2	5220-751-3076	1.2126	1.3750-6NC-1,2,3	1.21260-.00012	.030	8
2	5220-751-3077	1.2545	1.3750-8N-2,3	1.25450-.00012	.030	8
2	5220-751-3078	1.2938	1.3750-12NF-1,2,3	1.29380-.00012	.030	8
2	5220-751-3079	1.3153	1.3750-16N-2,3	1.31530-.00012	.030	8
2	5220-751-6767	1.3225	1.3750-18NEF-2,3	1.32250-.00012	.030	8

ORDBA Form 20-1680. (OT) 5 Oct 61

Mil-Std-134B
 15 MARCH 1963

 Table II. Tabulation of Design and Identification Data -
 American National Standard Thread (Continued)

FIGURE NO.	MARKING ON GAGE HANDLE		COMPONENT THREAD DESIGNATION	GAGE DIMENSIONS		FINISH
	MIL-STD PART NUMBER	NOT GO DIA		DIAMETER	CHAM-FER	
A	B	C	D	E	F	G
2	5220-751-3081	1.3563	1.4375-12N-2,3	1.35630-.00012	.030	8
2	5220-751-3082	1.3778	1.4375-16N-2,3	1.37780-.00012	.030	8
2	5220-747-0202	1.3850	1.4375-18NEF-2,3	1.38500-.00012	.030	8
2	5220-751-3084	1.3376	1.5000-6NC-1,2,3	1.33760-.00012	.030	8
2	5220-751-3085	1.3795	1.5000-8N-2,3	1.37950-.00012	.030	8
2	5220-751-3086	1.4188	1.5000-12NF-1,2,3	1.41880-.00012	.030	8
2	5220-751-3087	1.4403	1.5000-16N-2,3	1.44030-.00012	.030	8
2	5220-751-6768	1.4475	1.5000-18NEF-2	1.44750-.00012	.030	8
2	5220-751-3089	1.5028	1.5625-16N-2,3	1.50280-.00012	.030	8
2	5220-747-1202	1.5100	1.5625-18NEF-2,3	1.51000-.00012	.030	8
2	5220-751-3091	1.5045	1.6250-8N-2,3	1.50450-.00012	.030	8
3	5220-751-3092	1.5438	1.6250-12N-2,3	1.54380-.00016	.050	8
3	5220-751-3093	1.5653	1.6250-16N-2,3	1.56530-.00016	.050	8
3	5220-751-6769	1.5725	1.6250-18NEF-2,3	1.57250-.00016	.050	8
3	5220-751-3095	1.6278	1.6875-16N-2,3	1.62780-.00016	.050	8
3	5220-747-2202	1.6350	1.6875-18NEF-2,3	1.63500-.00016	.050	8
3	5220-751-3097	1.5551	1.7500-5NC-1,2,3	1.55510-.00016	.050	8
3	5220-751-3098	1.6295	1.7500-8N-2,3	1.62950-.00016	.050	8
3	5220-751-3099	1.6688	1.7500-12N-2,3	1.66880-.00016	.050	8
3	5220-751-3100	1.6903	1.7500-16NEF-2,3	1.69030-.00016	.050	8
3	5220-751-3101	1.7528	1.8125-16N-2,3	1.75280-.00016	.050	8
3	5220-751-3102	1.7545	1.8750-8N-2,3	1.75450-.00016	.050	8

ORDBA Form 20-1680, (OT) 5 Oct 61

Mil-Std-134B
15 MARCH 1963

Table II. Tabulation of Design and Identification Data -
American National Standard Thread (Continued)

FIGURE NO.	MARKING ON GAGE HANDLE		COMPONENT THREAD DESIGNATION	GAGE DIMENSIONS		FINISH
	MIL-STD PART NUMBER	NOT GO DIA		DIAMETER	CHAM-FER	
A	B	C	D	E	F	G
3	5220-751-3103	1.7938	1.8750-12N-2,3	1.79380-.00016	.050	8
3	5220-751-3104	1.8153	1.8750-16N-2,3	1.81530-.00016	.050	8
3	5220-751-3105	1.8778	1.9375-16N-2,3	1.87780-.00016	.050	8
3	5220-751-3106	1.7835	2.0000-4½NC-1,2,3	1.78350-.00016	.050	8
3	5220-751-3107	1.8795	2.0000-8N-2,3	1.87950-.00016	.050	8
3	5220-751-3108	1.9188	2.0000-12N-2,3	1.91880-.00016	.050	8
3	5220-751-3109	1.9403	2.0000-16NEF-2,3	1.94030-.00016	.050	8
3	5220-751-3110	2.0028	2.0625-16N-2,3	2.00280-.00016	.050	8
3	5220-751-3111	2.0045	2.1250-8N-2,3	2.00450-.00016	.050	8
3	5220-751-3112	2.0438	2.1250-12N-2,3	2.04380-.00016	.050	8
3	5220-751-3113	2.0653	2.1250-16N-2,3	2.06530-.00016	.050	8
3	5220-751-3114	2.1278	2.1875-16N-2,3	2.12780-.00016	.050	8
3	5220-751-3115	2.0335	2.2500-4½NC-1,2,3	2.03350-.00016	.050	8
3	5220-751-3116	2.1295	2.2500-8N-2,3	2.12950-.00016	.050	8
3	5220-751-3117	2.1688	2.2500-12N-2,3	2.16880-.00016	.050	8
3	5220-751-3118	2.1903	2.2500-16N-2,3	2.19030-.00016	.050	8
3	5220-751-3119	2.2528	2.3125-16N-2,3	2.25280-.00016	.050	8
3	5220-751-3120	2.2938	2.3750-12N-2,3	2.29380-.00016	.050	8
3	5220-751-3121	2.3153	2.3750-16N-2,3	2.31530-.00016	.050	8
3	5220-751-3122	2.3778	2.4375-16N-2,3	2.37780-.00016	.050	8
3	5220-751-3123	2.2564	2.5000-4NC-1,2,3	2.25640-.00016	.050	8
3	5220-751-3124	2.3795	2.5000-8N-2,3	2.37950-.00016	.050	8

ORDBA Form 20-1680, (OT) 3 Oct 61

Mil-Std-134B
15 MARCH 1963Table II. Tabulation of Design and Identification Data -
American National Standard Thread (Continued)

FIGURE NO.	MARKING ON GAGE HANDLE		COMPONENT THREAD DESIGNATION	GAGE DIMENSIONS		FINISH
	MIL-STD PART NUMBER	NOT GO DIA		DIAMETER	CHAMFER	
A	B	C	D	E	F	G
3	5220-751-3125	2.4188	2.5000-12N-2,3	2.41880-.00016	.050	8
3	5220-751-3126	2.4403	2.5000-16N-2,3	2.44030-.00016	.050	8
3	5220-751-3127	2.5438	2.6250-12N-2,3	2.54380-.00020	.050	8
3	5220-751-3128	2.5653	2.6250-16N-2,3	2.56530-.00020	.050	8
3	5220-751-3129	2.5064	2.7500-4NC-1,2,3	2.50640-.00016	.050	8
3	5220-751-3130	2.6295	2.7500-8N-2,3	2.62950-.00020	.050	8
3	5220-751-3131	2.6688	2.7500-12N-2,3	2.66880-.00020	.050	8
3	5220-751-3132	2.6903	2.7500-16N-2,3	2.69030-.00020	.050	8
3	5220-751-3133	2.7938	2.8750-12N-2,3	2.79380-.00020	.050	8
3	5220-751-3134	2.8153	2.8750-16N-2,3	2.81530-.00020	.050	8
3	5220-751-3135	2.7564	3.0000-4NC-1,2,3	2.75640-.00020	.050	8
3	5220-751-3136	2.8795	3.0000-8N-2,3	2.87950-.00020	.050	8
3	5220-751-3137	2.9188	3.0000-12N-2,3	2.91880-.00020	.050	8
3	5220-751-3138	2.9403	3.0000-16N-2,3	2.94030-.00020	.050	8
3	5220-751-3139	3.0438	3.1250-12N-2,3	3.04380-.00020	.050	8
3	5220-751-3140	3.0653	3.1250-16N-2,3	3.06530-.00020	.050	8
3	5220-751-3141	3.0064	3.2500-4NC-1,2,3	3.00640-.00020	.050	8
3	5220-751-3142	3.1295	3.2500-8N-2,3	3.12950-.00020	.050	8
3	5220-751-3143	3.1688	3.2500-12N-2,3	3.16880-.00020	.050	8
3	5220-751-3144	3.1903	3.2500-16N-2,3	3.19030-.00020	.050	8
3	5220-751-3145	3.2938	3.3750-12N-2,3	3.29380-.00020	.050	8
3	5220-751-3146	3.3153	3.3750-16N-2,3	3.31530-.00020	.050	8

ORDBA Form 20-1680, (07) 5 Oct 61

Mil-Std-134B
15 MARCH 1963

Table II. Tabulation of Design and Identification Data -
American National Standard Thread (Continued)

FIGURE NO.	MARKING ON GAGE HANDLE		COMPONENT THREAD DESIGNATION	GAGE DIMENSIONS		FINISH
	MIL-STD PART NUMBER	NOT GO DIA		DIAMETER	CHAM-FER	
A	B	C	D	E	F	G
3	5220-751-3147	3.2564	3.5000-4NC-1,2,3	3.25640-.00020	.050	8
3	5220-751-3148	3.3795	3.5000-8N-2,3	3.37950-.00020	.050	8
3	5220-751-3149	3.4188	3.5000-12N-2,3	3.41880-.00020	.050	8
3	5220-751-3150	3.4403	3.5000-16N-2,3	3.44030-.00020	.050	8
3	5220-751-3151	3.5438	3.6250-12N-2,3	3.54380-.00020	.050	8
3	5220-751-3152	3.5653	3.6250-16N-2,3	3.56530-.00020	.050	8
3	5220-751-3153	3.5064	3.7500-4NC-1,2,3	3.50640-.00020	.050	8
3	5220-751-3154	3.6295	3.7500-8N-2,3	3.62950-.00020	.050	8
3	5220-751-3155	3.6688	3.7500-12N-2,3	3.66880-.00020	.050	8
3	5220-751-3156	3.6903	3.7500-16N-2,3	3.69030-.00020	.050	8
3	5220-751-3157	3.7938	3.8750-12N-2,3	3.79380-.00020	.050	8
3	5220-751-3158	3.8153	3.8750-16N-2,3	3.81530-.00020	.050	8
3	5220-751-3159	3.7564	4.0000-4NC-1,2,3	3.75640-.00020	.050	8
3	5220-751-3160	3.8795	4.0000-8N-2,3	3.87950-.00020	.050	8
3	5220-751-3161	3.9188	4.0000-12N-2,3	3.91880-.00020	.050	8
3	5220-751-3162	3.9403	4.0000-16N-2,3	3.94030-.00020	.050	8
3	5220-751-3163	4.1295	4.2500-8N-2,3	4.12950-.00020	.050	8
3	5220-751-3164	4.1688	4.2500-12N-2,3	4.16880-.00020	.050	8
3	5220-751-7131	4.1903	4.2500-16N-2,3	4.19030-.00020	.050	8
3	5220-751-3165	4.3795	4.5000-8N-2,3	4.37950-.00020	.050	8
3	5220-751-3166	4.4188	4.5000-12N-2,3	4.41880-.00020	.050	8
3	5220-751-7132	4.4403	4.5000-16N-2,3	4.44030-.00020	.050	8

ORDBA Form 20-1680, (OT) 5 Oct 61

Mil-Std-136B
 15 MARCH 1963

 Table II. Tabulation of Design and Identification Data
 American National Standard Thread (Continued)

FIGURE NO.	MARKING ON GAGE HANDLE		COMPONENT THREAD DESIGNATION	GAGE DIMENSIONS		FINISH
	MIL-STD PART NUMBER	NOT GO DIA		DIAMETER	CHAM- FER	
A	B	C	D	E	F	G
3	5220-751-3167	4.6295	4.7500-8N-2,3	4.62950-.00025	.050	8
3	5220-751-3168	4.6688	4.7500-12N-2,3	4.66880-.00025	.050	8
3	5220-751-7133	4.6903	4.7500-16N-2,3	4.69030-.00025	.050	8
3	5220-751-3169	4.8795	5.0000-8N-2,3	4.87950-.00025	.050	8
3	5220-751-3170	4.9188	5.0000-12N-2,3	4.91880-.00025	.050	8
3	5220-751-7134	4.9403	5.0000-16N-2,3	4.94030-.00025	.050	8
3	5220-751-3171	5.1295	5.2500-8N-2,3	5.12950-.00025	.050	8
3	5220-751-3172	5.1688	5.2500-12N-2,3	5.16880-.00025	.050	8
3	5220-751-7135	5.1903	5.2500-16N-2,3	5.19030-.00025	.050	8
3	5220-751-3173	5.3795	5.5000-8N-2,3	5.37950-.00025	.050	8
3	5220-751-3174	5.4188	5.5000-12N-2,3	5.41880-.00025	.050	8
3	5220-751-7136	5.4403	5.5000-16N-2,3	5.44030-.00025	.050	8
3	5220-751-3175	5.6295	5.7500-8N-2,3	5.62950-.00025	.050	8
3	5220-751-3176	5.6688	5.7500-12N-2,3	5.66880-.00025	.050	8
3	5220-751-7137	5.6903	5.7500-16N-2,3	5.69030-.00025	.050	8
3	5220-751-3177	5.8795	6.0000-8N-2,3	5.87950-.00025	.050	8
3	5220-751-3178	5.9188	6.0000-12N-2,3	5.91880-.00025	.050	8
3	5220-751-7138	5.9403	6.0000-16N-2,3	5.94030-.00025	.050	8

ORDBA Form 20-1680, (OT) 5 Oct 61

Mil-Std-134B
 15 MARCH 1963

 Table III. Tabulation of Design and Identification
 Data - Special (UNS) Threads

FIGURE NO.	MARKING ON GAGE HANDLE		COMPONENT THREAD DESIGNATION	GAGE DIMENSIONS		FINISH
	MIL-STD PART NUMBER	NOT GO DIA		DIAMETER	CHAM-FER	
A	B	C	D	E	F	G
1	5220-746-1750	.428	.5000-12UNS-2B (.5000-12UN-2B)*	.42800 - .00010	.030	8
1	5220-751-7109	.4223	.5000-12UNS-3B (.5000-12UN-3B)*	.42230 - .00010	.030	8
2	5220-746-6634	.939	1.0000-14UNS-1B, 2B (1.0000-14NF-1B, 2B)*	.93900 - .00012	.030	8
2	5220-751-6311	.9315	1.0000-14UNS-3B (1.0000-14NF-3B)*	.93150 - .00012	.030	8
2	5220-751-3054	.9312	1.0000-14NS-1, 2, 3 (1.0000-14NF-1, 2, 3)*	.93120 - .00012	.030	8
3	5220-747-5194	2.009	2.0625-16UNS-2B (2.0625-16UN-2B)*	2.00900 - .00016	.050	8
3	5220-751-6350	2.0033	2.0625-16UNS-3B (2.0625-16UN-3B)*	2.00330 - .00016	.050	8
3	5220-747-6194	2.134	2.1875-16UNS-2B (2.1875-16UN-2B)*	2.13400 - .00016	.050	8
3	5220-751-6354	2.1283	2.1875-16UNS-3B (2.1875-16UN-3B)*	2.12830 - .00016	.050	8
3	5220-747-7194	2.259	2.3125-16UNS-2B (2.3125-16UN-2B)*	2.25900 - .00016	.050	8
3	5220-751-6359	2.2533	2.3125-16UNS-3B (2.3125-16UN-3B)*	2.25330 - .00016	.050	8
3	5220-747-8194	2.384	2.4375-16UNS-2B (2.4375-16UN-2B)*	2.38400 - .00016	.050	8
3	5220-751-6362	2.3783	2.4375-16UNS-3B (2.4375-16UN-3B)*	2.37830 - .00016	.050	8
3	5220-751-6731	4.140	4.2500-8UN-2B	4.14000 - .00020	.050	8
3	5220-751-6403	4.1297	4.2500-8UN-3B	4.12970 - .00020	.050	8
3	5220-751-6734	4.390	4.5000-8UN-2B	4.39000 - .00020	.050	8
3	5220-751-6406	4.3797	4.5000-8UN-3B	4.37970 - .00020	.050	8
3	5220-751-6737	4.640	4.7500-8UN-2B	4.64000 - .00025	.050	8
3	5220-751-6409	4.6297	4.7500-8UN-3B	4.62970 - .00025	.050	8
3	5220-751-6740	4.890	5.0000-8UN-2B	4.89000 - .00025	.050	8
3	5220-751-6412	4.8797	5.0000-8UN-3B	4.87970 - .00025	.050	8
3	5220-751-6743	5.140	5.2500-8UN-2B	5.14000 - .00025	.050	8

* Thread designation as previously listed

Mil-Std-134B
15 MARCH 1969

Table III. Tabulation of Design and Identification
Data - Special (UNS) Threads (Continued)

FIGURE NO.	MARKING ON GAGE HANDLE		COMPONENT THREAD DESIGNATION	GAGE DIMENSIONS		FINISH
	MIL-STD PART NUMBER	NOT GO DIA		DIAMETER	CHAMFER	
A	B	C	D	E	F	G
3	5220-751-6415	5.1297	5.2500-8UN-3B	5.12970 - .00025	.050	8
3	5220-751-6746	5.390	5.5000-8UN-2B	5.39000 - .00025	.050	8
3	5220-751-6418	5.3797	5.5000-8UN-3B	5.37970 - .00025	.050	8
3	5220-751-6749	5.640	5.7500-8UN-2B	5.64000 - .00025	.050	8
3	5220-751-6421	5.6297	5.7500-8UN-3B	5.62970 - .00025	.050	8
3	5220-751-6752	5.890	6.0000-8UN-2B	5.89000 - .00025	.050	8
3	5220-751-6424	5.8797	6.0000-8UN-3B	5.87970 - .00025	.050	8

Note: The length of engagement for 8UN thread series is equal to the nominal diameter.

MIL-STD-134B
15 MARCH 1963

Table IV. Listing of Mil-Std Part Numbers in Numerical Sequence

MIL-STD PART NUMBER		PAGE NO.*		MIL-STD PART NUMBER		PAGE NO.*		MIL-STD PART NUMBER		PAGE NO.*	
A	B	A	B	A	B	A	B	A	B	A	B
5220-745-8244	7	5220-746-0680	9	5220-746-3000	11	5220-746-5680	13	5220-746-7746	15	5220-746-8106	16
5220-745-8412	7	5220-746-0790	9	5220-746-3180	11	5220-746-5778	13	5220-746-7778	15	5220-746-8194	16
5220-745-8428	7	5220-746-0870	9	5220-746-3200	11	5220-746-5882	13	5220-746-7882	16	5220-746-8202	16
5220-745-8502	37	5220-746-0920	9	5220-746-3250	11	5220-746-5914	13	5220-746-8042	16	5220-746-8242	16
5220-745-8646	7	5220-746-0926	38	5220-746-3290	11	5220-746-6042	13	5220-746-8106	16	5220-746-8242	16
5220-745-8652	37	5220-746-0960	9	5220-746-3370	11	5220-746-6194	14	5220-746-8194	16	5220-746-8282	16
5220-745-8686	7	5220-746-1230	9	5220-746-3420	11	5220-746-6242	14	5220-746-8202	16	5220-746-8378	16
5220-745-8860	7	5220-746-1310	9	5220-746-3460	11	5220-746-6282	14	5220-746-8242	16	5220-746-8546	16
5220-745-8890	7	5220-746-1420	9	5220-746-3620	11	5220-746-6378	14	5220-746-8282	16	5220-746-8690	16
5220-745-9030	7	5220-746-1540	9	5220-746-3810	11	5220-746-6410	14	5220-746-8378	16	5220-746-8706	17
5220-745-9110	7	5220-746-1580	9	5220-746-3920	11	5220-746-6546	14	5220-746-8378	16	5220-746-8738	17
5220-745-9280	8	5220-746-1750	47	5220-746-3990	12	5220-746-6634	47	5220-746-8546	16	5220-746-8746	17
5220-745-9330	8	5220-746-1760	38	5220-746-4040	12	5220-746-6690	14	5220-746-8690	16	5220-746-8778	17
5220-745-9344	37	5220-746-1810	9	5220-746-4080	12	5220-746-6738	14	5220-746-8706	17	5220-746-8778	17
5220-745-9370	8	5220-746-1930	10	5220-746-4100	12	5220-746-6778	14	5220-746-8746	17	5220-746-8882	17
5220-745-9530	37	5220-746-2040	10	5220-746-4250	12	5220-746-6882	14	5220-746-8746	17	5220-746-8922	17
5220-745-9540	8	5220-746-2170	10	5220-746-4430	12	5220-746-6914	15	5220-746-9042	17	5220-746-9194	17
5220-745-9660	8	5220-746-2210	10	5220-746-4540	12	5220-746-7042	15	5220-746-8882	17	5220-746-9202	40
5220-745-9670	8	5220-746-2320	38	5220-746-4670	12	5220-746-7106	15	5220-746-8922	17	5220-746-9242	17
5220-745-9676	37	5220-746-2370	10	5220-746-4710	12	5220-746-7194	15	5220-746-9042	17	5220-746-9282	17
5220-745-9710	8	5220-746-2560	10	5220-746-4870	12	5220-746-7202	15	5220-746-9378	17	5220-746-942	18
5220-746-0100	8, 38	5220-746-2570	38	5220-746-5060	12	5220-746-7242	15	5220-746-942	18	5220-746-9546	18
5220-746-0120	8	5220-746-2620	10	5220-746-5170	13	5220-746-7282	15	5220-746-9546	18	5220-746-9690	18
5220-746-0170	8	5220-746-2670	10	5220-746-5250	13	5220-746-7378	15	5220-746-9690	18	5220-746-9706	18
5220-746-0240	8	5220-746-2740	10	5220-746-5290	13	5220-746-7546	15	5220-746-9706	18		
5220-746-0290	8	5220-746-2790	10	5220-746-5330	13	5220-746-7690	15				
5220-746-0304	38	5220-746-2830	10	5220-746-5500	13	5220-746-7706	15				
5220-746-0330	8	5220-746-2930	11	5220-746-5610	13	5220-746-7738	16				

* Applicable page number in table I, II, or III for design and identification data

Mil-Std-134B
15 MARCH 1963

Table IV. Listing of Mil-Std Part Numbers in Numerical Sequence (Continued)

MIL-STD PART NUMBER	PAGE NO. *		MIL-STD PART NUMBER	PAGE NO. *		MIL-STD PART NUMBER	PAGE NO. *		MIL-STD PART NUMBER	PAGE NO. *	
	A	B		A	B		A	B		A	B
5220-746-9738	18		5220-747-1738	20		5220-747-4042	23		5220-747-8194	47	
5220-746-9746	18		5220-747-1746	20		5220-747-4194	23		5220-747-8242	25	
5220-746-9778	18		5220-747-1778	20		5220-747-4242	23		5220-747-8546	25	
5220-746-9882	18		5220-747-1922	21		5220-747-4282	23		5220-747-8690	25	
5220-746-9922	19		5220-747-1978	21		5220-747-4546	23		5220-747-8778	25	
5220-747-0002	18		5220-747-2042	21		5220-747-4690	23		5220-747-8922	25	
5220-747-0194	18		5220-747-2194	21		5220-747-4778	23		5220-751-3002	37	
5220-747-0202	41		5220-747-2202	41		5220-747-4922	23		5220-751-3004	37	
5220-747-0242	18, 19		5220-747-2242	21		5220-747-5194	47		5220-751-3005	37	
5220-747-0282	18		5220-747-2282	21		5220-747-5242	23		5220-751-3006	37	
5220-747-0378	19		5220-747-2426	21		5220-747-5482	24		5220-751-3007	37	
5220-747-0426	19		5220-747-2546	21		5220-747-5546	24		5220-751-3009	37	
5220-747-0546	19		5220-747-2690	21		5220-747-5690	24		5220-751-3011	37	
5220-747-0690	19		5220-747-2738	22		5220-747-5778	24		5220-751-3012	37	
5220-747-0706	19		5220-747-2778	21		5220-747-5922	24		5220-751-3013	37	
5220-747-0738	19		5220-747-2922	22		5220-747-6194	47		5220-751-3014	37	
5220-747-0778	19		5220-747-3042	22		5220-747-6242	24		5220-751-3015	37	
5220-747-0882	19		5220-747-3194	22		5220-747-6546	24		5220-751-3016	37	
5220-747-0922	20		5220-747-3242	22		5220-747-6690	24		5220-751-3017	37	
5220-747-1042	19		5220-747-3282	22		5220-747-6778	24		5220-751-3018	37	
5220-747-1194	20		5220-747-3426	22		5220-747-6930	24		5220-751-3020	38	
5220-747-1202	41		5220-747-3482	23		5220-747-7194	47		5220-751-3022	38	
5220-747-1242	20		5220-747-3546	22		5220-747-7242	24		5220-751-3023	38	
5220-747-1282	20		5220-747-3690	22		5220-747-7258	25		5220-751-3025	38	
5220-747-1426	20		5220-747-3738	22		5220-747-7546	25		5220-751-3026	38	
5220-747-1546	21		5220-747-3778	22		5220-747-7690	25		5220-751-3028	38	
5220-747-1666	20		5220-747-3922	23		5220-747-7778	25		5220-751-3029	38	
5220-747-1690	20		5220-747-3978	23		5220-747-7922	25		5220-751-3032	38	
5220-751-3033	38								5220-751-3033	38	
5220-751-3034	38								5220-751-3034	38	
5220-751-3035	38								5220-751-3035	38	
5220-751-3037	39								5220-751-3037	39	
5220-751-3038	39								5220-751-3038	39	
5220-751-3039	39								5220-751-3039	39	
5220-751-3041	39								5220-751-3041	39	
5220-751-3042	39								5220-751-3042	39	
5220-751-3044	39								5220-751-3044	39	
5220-751-3045	39								5220-751-3045	39	
5220-751-3046	39								5220-751-3046	39	
5220-751-3047	39								5220-751-3047	39	
5220-751-3049	39								5220-751-3049	39	
5220-751-3050	39								5220-751-3050	39	
5220-751-3052	39								5220-751-3052	39	
5220-751-3053	39								5220-751-3053	39	
5220-751-3054	47								5220-751-3054	47	
5220-751-3055	39								5220-751-3055	39	
5220-751-3057	39								5220-751-3057	39	
5220-751-3058	39								5220-751-3058	39	
5220-751-3060	40								5220-751-3060	40	
5220-751-3061	40								5220-751-3061	40	
5220-751-3062	40								5220-751-3062	40	
5220-751-3063	40								5220-751-3063	40	
5220-751-3065	40								5220-751-3065	40	
5220-751-3066	40								5220-751-3066	40	
5220-751-3068	40								5220-751-3068	40	
5220-751-3069	40								5220-751-3069	40	

* Applicable page number in table I, II, or III for design and identification data

Mil-Std-134B
15 MARCH 1963

ORDBA Form 7 Table IV. Listing of Mil-Std Part Numbers in Numerical Sequence (Continued)

MIL-STD PART NUMBER	PAGE NO. *		MIL-STD PART NUMBER		PAGE NO. *		MIL-STD PART NUMBER	PAGE NO. *	
	A	B	A	B	A	B		A	B
5220-751-3070	40		5220-751-3106	42	5220-751-3134	43	5220-751-3162	44	5220-751-6278
5220-751-3071	40		5220-751-3107	42	5220-751-3135	43	5220-751-3163	44	5220-751-6279
5220-751-3073	40		5220-751-3108	42	5220-751-3136	43	5220-751-3164	44	5220-751-6280
5220-751-3074	40		5220-751-3109	42	5220-751-3137	43	5220-751-3165	44	5220-751-6281
5220-751-3076	40		5220-751-3110	42	5220-751-3138	43	5220-751-3166	44	5220-751-6282
5220-751-3077	40		5220-751-3111	42	5220-751-3139	43	5220-751-3167	45	5220-751-6283
5220-751-3078	40		5220-751-3112	42	5220-751-3140	43	5220-751-3168	45	5220-751-6284
5220-751-3079	40		5220-751-3113	42	5220-751-3141	43	5220-751-3169	45	5220-751-6285
5220-751-3081	41		5220-751-3114	42	5220-751-3142	43	5220-751-3170	45	5220-751-6286
5220-751-3082	41		5220-751-3115	42	5220-751-3143	43	5220-751-3171	45	5220-751-6287
5220-751-3084	41		5220-751-3116	42	5220-751-3144	43	5220-751-3172	45	5220-751-6288
5220-751-3085	41		5220-751-3117	42	5220-751-3145	43	5220-751-3173	45	5220-751-6289
5220-751-3086	41		5220-751-3118	42	5220-751-3146	43	5220-751-3174	45	5220-751-6290
5220-751-3087	41		5220-751-3119	42	5220-751-3147	44	5220-751-3175	45	5220-751-6291
5220-751-3089	41		5220-751-3120	42	5220-751-3148	44	5220-751-3176	45	5220-751-6292
5220-751-3091	41		5220-751-3121	42	5220-751-3149	44	5220-751-3177	45	5220-751-6293
5220-751-3092	41		5220-751-3122	42	5220-751-3150	44	5220-751-3178	45	5220-751-6294
5220-751-3093	41		5220-751-3123	42	5220-751-3151	44	5220-751-6264	7, 37	5220-751-6295
5220-751-3095	41		5220-751-3124	42	5220-751-3152	44	5220-751-6265	7, 37	5220-751-6296
5220-751-3097	41		5220-751-3125	43	5220-751-3153	44	5220-751-6267	7, 37	5220-751-6297
5220-751-3098	41		5220-751-3126	43	5220-751-3154	44	5220-751-6268	7	5220-751-6298
5220-751-3099	41		5220-751-3127	43	5220-751-3155	44	5220-751-6271	7	5220-751-6299
5220-751-3100	41		5220-751-3128	43	5220-751-3156	44	5220-751-6272	7	5220-751-6300
5220-751-3101	41		5220-751-3129	43	5220-751-3157	44	5220-751-6273	7, 37	5220-751-6301
5220-751-3102	41		5220-751-3130	43	5220-751-3158	44	5220-751-6274	7	5220-751-6302
5220-751-3103	42		5220-751-3131	43	5220-751-3159	44	5220-751-6275	7	5220-751-6303
5220-751-3104	42		5220-751-3132	43	5220-751-3160	44	5220-751-6276	7	5220-751-6304
5220-751-3105	42		5220-751-3133	43	5220-751-3161	44	5220-751-6277	7	5220-751-6305

* Applicable page number in table I, II, or III for design and identification data

Mil-Std-134B
15 MARCH 1963

ORDBA Form 2 Table IV Listing of Mil-Std Part Numbers in Numerical Sequence (Continued)

MIL-STD PART NUMBER	PAGE NO.*		MIL-STD PART NUMBER	PAGE NO.*		MIL-STD PART NUMBER	PAGE NO.*		MIL-STD PART NUMBER	PAGE NO.*	
	A	B		A	B		A	B		A	B
5220-751-6306	13		5220-751-6334	20		5220-751-6362	47		5220-751-6390	29	
5220-751-6307	13		5220-751-6335	20		5220-751-6363	25		5220-751-6391	29	
5220-751-6308	14		5220-751-6336	21		5220-751-6364	25		5220-751-6392	29	
5220-751-6309	14		5220-751-6337	21		5220-751-6365	25		5220-751-6393	29	
5220-751-6310	14		5220-751-6338	21		5220-751-6366	25		5220-751-6394	30	
5220-751-6311	47		5220-751-6339	21		5220-751-6367	26		5220-751-6395	30	
5220-751-6312	14		5220-751-6340	21		5220-751-6368	26		5220-751-6396	30	
5220-751-6313	15		5220-751-6341	22		5220-751-6369	26		5220-751-6397	30	
5220-751-6314	15		5220-751-6342	22		5220-751-6370	26		5220-751-6398	30	
5220-751-6315	15		5220-751-6343	22		5220-751-6371	26		5220-751-6399	30	
5220-751-6316	15		5220-751-6344	22		5220-751-6372	26		5220-751-6400	30	
5220-751-6317	15		5220-751-6345	23		5220-751-6373	27		5220-751-6401	30	
5220-751-6318	16		5220-751-6346	23		5220-751-6374	27		5220-751-6402	31	
5220-751-6319	16		5220-751-6347	23		5220-751-6375	27		5220-751-6403	47	
5220-751-6320	16		5220-751-6348	23		5220-751-6376	27		5220-751-6404	31	
5220-751-6321	16		5220-751-6349	23		5220-751-6377	27		5220-751-6405	31	
5220-751-6322	16		5220-751-6350	47		5220-751-6378	27		5220-751-6406	47	
5220-751-6323	17		5220-751-6351	23		5220-751-6379	28		5220-751-6407	32	
5220-751-6324	17		5220-751-6352	24		5220-751-6380	28		5220-751-6408	32	
5220-751-6325	17		5220-751-6353	24		5220-751-6381	28		5220-751-6409	47	
5220-751-6326	17		5220-751-6354	47		5220-751-6382	28		5220-751-6410	32	
5220-751-6327	18		5220-751-6355	24		5220-751-6383	28		5220-751-6411	32	
5220-751-6328	18		5220-751-6356	24		5220-751-6384	28		5220-751-6412	47	
5220-751-6329	18		5220-751-6357	24		5220-751-6385	28		5220-751-6413	33	
5220-751-6330	19		5220-751-6358	24		5220-751-6386	28		5220-751-6414	33	
5220-751-6331	19		5220-751-6359	47		5220-751-6387	29		5220-751-6415	47	
5220-751-6332	19		5220-751-6360	25		5220-751-6388	29		5220-751-6416	33	
5220-751-6333	20		5220-751-6361	25		5220-751-6389	29		5220-751-6417	34	

* Applicable page number in table I, II, or III for design and identification data

15 MIL-Std-134B
MARCH 1963

ORDBA Form

Table IV. Listing of Mil-Std Part Numbers in Numerical Sequence (Continued)

MIL-STD PART NUMBER	PAGE NO.*		MIL-STD PART NUMBER	PAGE NO.*		MIL-STD PART NUMBER	PAGE NO.*		MIL-STD PART NUMBER	PAGE NO.*	
	A	B		A	B		A	B		A	B
5220-751-6714	28		5220-751-6742	33		5220-751-7108	8		5220-751-7136	45	
5220-751-6715	29		5220-751-6743	47		5220-751-7109	47		5220-751-7137	45	
5220-751-6716	29		5220-751-6744	33		5220-751-7110	11		5220-751-7138	45	
5220-751-6717	29		5220-751-6745	34		5220-751-7111	11		7518742	8	
5220-751-6718	29		5220-751-6746	47		5220-751-7112	12		7518743	8	
5220-751-6719	29		5220-751-6747	34		5220-751-7113	12		7518744	9	
5220-751-6720	29		5220-751-6748	34		5220-751-7114	12		7518745	9	
5220-751-6721	29		5220-751-6749	47		5220-751-7115	13		7518746	9	
5220-751-6722	30		5220-751-6750	34		5220-751-7116	13		7518747	9	
5220-751-6723	30		5220-751-6751	34		5220-751-7117	13		7518748	10	
5220-751-6724	30		5220-751-6752	47		5220-751-7118	14		7518749	10	
5220-751-6725	30		5220-751-6753	35		5220-751-7119	14		7518750	10	
5220-751-6726	30		5220-751-6754	35		5220-751-7120	15		7518751	10	
5220-751-6727	30		5220-751-6755	38		5220-751-7121	15		7518752	10	
5220-751-6728	30		5220-751-6756	38		5220-751-7122	16		7518753	10	
5220-751-6729	30		5220-751-6757	38		5220-751-7123	16		7518754	11	
5220-751-6730	31		5220-751-6758	38		5220-751-7124	17		7518755	11	
5220-751-6731	47		5220-751-6759	39		5220-751-7125	18		7518756	11	
5220-751-6732	31		5220-751-6760	39		5220-751-7126	18		7518757	11	
5220-751-6733	31		5220-751-6761	39		5220-751-7127	19		7518758	11	
5220-751-6734	47		5220-751-6762	39		5220-751-7128	20		7518759	11	
5220-751-6735	32		5220-751-6763	39		5220-751-7129	20		7518760	12	
5220-751-6736	32		5220-751-6764	39		5220-751-7130	21		7518761	12	
5220-751-6737	47		5220-751-6765	40		5220-751-7131	44		7518762	12	
5220-751-6738	32		5220-751-6766	40		5220-751-7132	44		7518763	12	
5220-751-6739	32		5220-751-6767	40		5220-751-7133	45		7518764	13	
5220-751-6740	47		5220-751-6768	41		5220-751-7134	45		7518765	13	
5220-751-6741	33		5220-751-6769	41		5220-751-7135	45		7518766	13	

* Applicable page number in table I, II, or III for design and identification data

Mil-Std-134B
15 MARCH 1963

Table IV. Listing of Mil-Std Part Numbers in Numerical Sequence (Continued)

MIL-STD PART NUMBER	PAGE NO.*		MIL-STD PART NUMBER	PAGE NO.*		MIL-STD PART NUMBER	PAGE NO.*		MIL-STD PART NUMBER	PAGE NO.*	
	A	B		A	B		A	B		A	B
7518795	19	25	7518823	25	28	7518851	28	7518879	31	7518907	33
7518796	20	25	7518824	25	28	7518852	28	7518880	31	7518908	33
7518797	20	25	7518825	25	29	7518853	29	7518881	31	7518909	33
7518798	20	25	7518826	25	29	7518854	29	7518882	31	7518910	33
7518799	20	26	7518827	26	29	7518855	29	7518883	32	7518911	33
7518800	20	26	7518828	26	29	7518856	29	7518884	32	7518912	33
7518801	21	26	7518829	26	29	7518857	29	7518885	32	7518913	34
7518802	21	26	7518830	26	29	7518858	29	7518886	32	7518914	34
7518803	21	26	7518831	26	29	7518859	29	7518887	32	7518915	34
7518804	21	26	7518832	26	29	7518860	29	7518888	32	7518916	34
7518805	22	26	7518833	26	30	7518861	30	7518889	32	7518917	34
7518806	22	26	7518834	26	30	7518862	30	7518890	32	7518918	34
7518807	22	26	7518835	26	30	7518863	30	7518891	32	7518919	34
7518808	22	26	7518836	26	30	7518864	30	7518892	32	7518920	34
7518809	22	27	7518837	27	30	7518865	30	7518893	32	7518921	34
7518810	22	27	7518838	27	30	7518866	30	7518894	32	7518922	34
7518811	22	27	7518839	27	31	7518867	31	7518895	32	7518923	34
7518812	23	27	7518840	27	31	7518868	31	7518896	32	7518924	34
7518813	23	27	7518841	27	31	7518869	31	7518897	33	7518925	35
7518814	23	27	7518842	27	31	7518870	31	7518898	33	7518926	35
7518815	23	27	7518843	27	31	7518871	31	7518899	33	7518927	35
7518816	24	27	7518844	27	31	7518872	31	7518900	33	7518928	35
7518817	24	27	7518845	27	31	7518873	31	7518901	33	7518929	35
7518818	24	27	7518846	27	31	7518874	31	7518902	33	7518930	35
7518819	24	28	7518847	28	31	7518875	31	7518903	33		
7518820	24	28	7518848	28	31	7518876	31	7518904	33		
7518821	25	28	7518849	28	31	7518877	31	7518905	33		
7518822	25	28	7518850	28	31	7518878	31	7518906	33		

* Applicable page number in table I, II, or III for design and identification data

Mil-Std-134B

15 March 1963

Notice: When Government drawings, specifications, or other data are used for any purpose other than in connection with a definitely related Government procurement operation, the United States Government thereby incurs no responsibility nor any obligation whatsoever; and the fact that the Government may have formulated, furnished, or in any way supplied the said drawings, specifications, or other data, is not to be regarded by implication or otherwise as in any manner licensing the holder or any other person or corporation, or conveying any rights or permission to manufacture, use, or sell any patented invention that may in any way be related thereto.

Copies of specifications, standards, drawings, and publications required by contractors in connection with specific procurement functions should be obtained from the procuring agency or as directed by the contracting officer.

Copies of this standard for military use may be obtained as indicated in the foreword to the DOD Index of Military Specifications and Standards.

Copies of this standard may be obtained from other than official use by individuals, firms, and contractors from the Superintendent of documents, U. S. Government Printing Office, Washington 25, D. C.

Both the title and the identifying symbol number should be stipulated when requesting copies of military standards.

Custodians:

Army - MU
Navy - WEPS
Air Force - MAAMA

Preparing Activity

Army - MU