

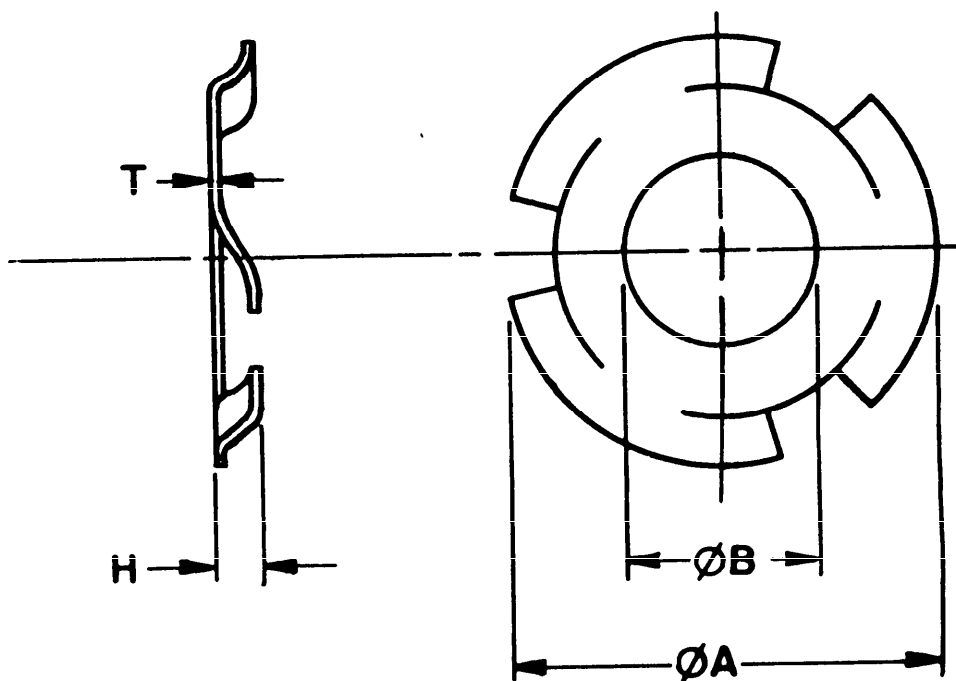
MIL-W-12133/7  
18 April 1986

MILITARY SPECIFICATION SHEET

WASHER, SPRING TENSION, FINGER TYPE, STEEL

This specification is approved for use by all Departments and Agencies of the Department of Defense.

The requirements for acquiring the washers described herein shall consist of this specification and the latest issue of MIL-W-12133.



NOTES:

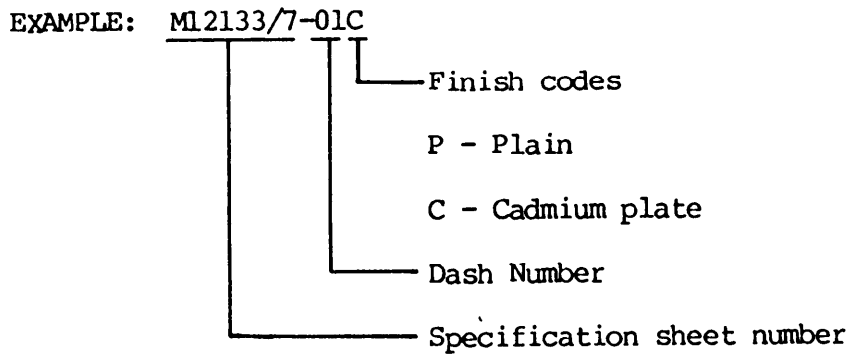
1. All dimensions are in inches, see Table I for dash numbers and dimensions.

FIGURE 1. WASHER, SPRING TENSION, FINGER TYPE, STEEL

## MIL-W-12133/7

## REQUIREMENTS:

1. Material: Spring steel, Grades 1070 to 1095.
2. Protective coating and surface treatment: Plain and cadmium plate.
3. Part number: The part number consists of the letter "M", the basic number of this specification sheet, followed by a dash number taken from Table I, and a finish code letter.



M12133/7-01C: Indicates - Washer, Spring Tension, Finger Type, Steel;  
.312 ID; .595 OD; .010 thick; Cadmium plate

## MIL-W-12133/7

TABLE I. DASH NUMBERS AND DIMENSIONS

DASH NO	$\phi_B$ ID	TOL	$\phi_A$ OD	TOL	T THKNS	TOL	H FREE HEIGHT	TOL	LOAD LBS AT .5H
1/01	.312		.595		.010		.094		3 - 1.0
02	.344		.728		.006		.125		4 - 8
03	.453		.846		.006		.125		3 - 7
04	.453	+ .015 - .005	.846	+ .020 - .010	.008		.125		9 - 13
05	.453		.926		.007		.125		6 - 10
06	.344		.926		.010		.125		22 - 28
07	.516		1.000		.006		.125		5 - 9
08	.516		1.000		.007		.125		8 - 12
09	.688	+ .030 - .007	1.164		.009		.125		9 - 13
10	.406	+ .015 - .005	1.164		.010	+ .001	.125	+ .005	15 - 21
11	.688		1.164		.018		.125		60 - 75
12	.688		1.240		.008		.125		10 - 14
13	.563		1.240		.009		.125		15 - 21
14	.688		1.240	+ .030 - .015	.010		.125		15 - 21
15	.814	+ .030 - .007	1.360		.011		.125		11 - 15
16	.814		1.360		.014		.125		17 - 25
17	.971		1.555		.014		.125		15 - 21
18	1.000		1.555		.018		.125		31 - 39
19	1.189		1.830		.016		.125		17 - 23
20	1.359		2.022		.019		.125		17 - 23

1/ Dash No. 01: 3 tabs only.

MIL-W-12133/7

Custodians:

Army - AR  
Navy - OS  
Air Force - 99

Review activities:

Army - ER, MI  
Navy - AS  
Air Force - 82  
DLA - IS

User activities:

Navy - MC, YD

Preparing activity:

Army - AR

Agent:

DLA - IS

(Project 5310-1431)