

MIL-S-83519/1C

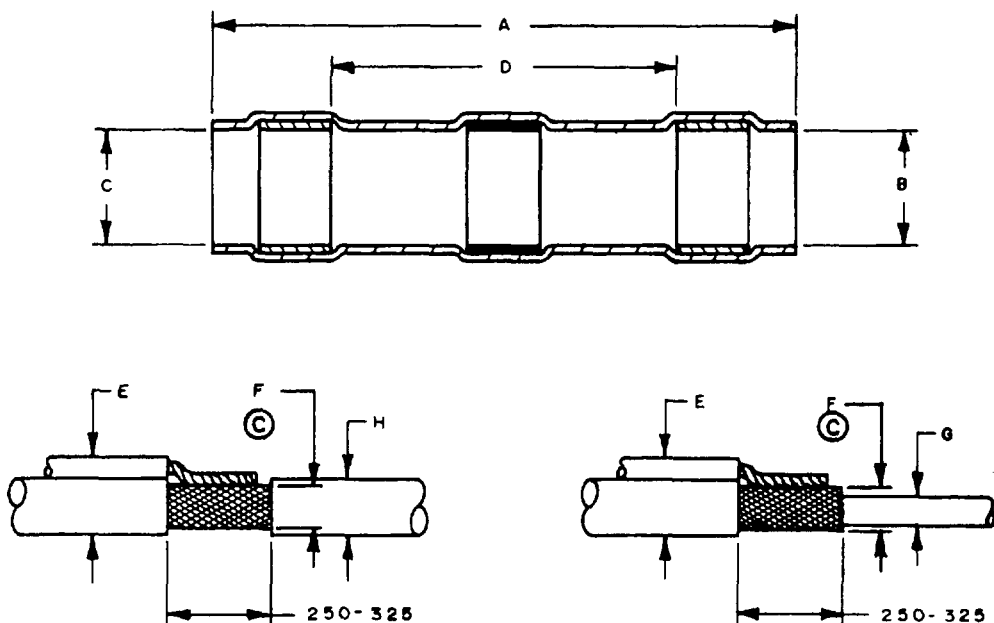
30 Sept 1986
 SUPERSEDING
 MIL-S-83519/1B
 29 April 1985

MILITARY SPECIFICATION SHEET

SHIELD TERMINATION, SOLDER STYLE,
 INSULATED, HEAT-SHRINKABLE, ENVIRONMENT RESISTANT
 FOR CABLES HAVING TIN OR SILVER PLATED SHIELDS (CLASS I)

This specification is approved for use by all Departments and Agencies
 of the Department of Defense

The complete requirements for procuring the shield termination described herein shall consist of
 this document and the latest issue of MIL-S-83519.



CABLE DIAMETER RANGE AND PREPARATION MEASUREMENTS

TABLE I. Construction details.

Part No.	Marking code	A ±.07	B Min	C Min	D Min	E Max	F Min	G Min	H Max	Weight Lbs/Nominal
M83519/1-1	S0101X	.650	.075	.105	.325	.105	.035	.020	.075	.00040
M83519/1-2	S0102X	.650	.105	.145	.325	.145	.055	.030	.105	.00050
M83519/1-3	S0103X	.650	.170	.200	.325	.200	.085	.050	.170	.00080
M83519/1-4	S0104X	.750	.235	.255	.325	.255	.130	.070	.235	.00135
M83519/1-5	S0105X	.750	.275	.300	.325	.300	.170	.100	.275	.0015

1/ Dimensions are in inches.

© denotes changes

MIL-S-83519/1C

Qualification: For qualification periodic testing cables shall be in accordance with Table II. The terminations shall be installed per the "ASSEMBLY TO CABLE" paragraph in MIL-S-83519 using the applicable convection and infrared heat sources.

Material: Insulation sleeve: Heat-shrinkable, transparent polyvinylidene fluoride. Solder preform and flux: Type Sn 63SRMAP per QQ-S-571. Thermal indicator: Color to colorless.

Temperature Rating: -55° to +150°C.

Compatible Cable Jackets: These terminations will provide environmental resistance when installed on cables conforming to:

1. MIL-C-27500 jacket types: .05, 08, 09, 10, 11, 12, 14, 15, 23 and their double jacket equivalents.
2. MIL-C-7078/1, /3, /8, /9, /10

NOTES:

1. When performing end stripped cable sealing the best results are obtained when the smallest size termination for the cable/lead wire combined is used. Sealability on cables with more than three primaries of AWG 22 and larger requires special precautions.
2. The splice is recommended for cables rated at 105°C, if special precautions are taken to isolate the heat source from the insulation.

© TABLE II. Qualification test cables.

Part no.	Minimum	Maximum
M83519/1-1	M2750030SB1T23	M2750026SB1T23
	30TG1T14	26TG1T14
	30NK1T05	26NK1T11
M83519/1-2	24SB1T23	18SB1T23
	24TG1T14	18TG1T14
	24NK1T05	18NK1T11
M83519/1-3	18SB1T23	20SB1T23
	18TG1T14	20TG3T14
	18NK1T05	20NK3T11
M83519/1-4	22SR4T23	16SB4T23
	22TG4T14	16TG4T14
	22NK4T05	16NK4T11
M83519/1-5	18SB4T23	16SB6T23
	18TG4T14	16TG6T14
	M2750018NK4T05	M2750016NK6T11

MIL-S-83519/1C

TABLE III. Supersession and cross-reference.

Military part number	Superseded numbers		
	FSCM <u>1/</u> 06090	NAS	MIL-K-81786
M83519/1-1	D-142-83 D-144-25 D-144-15	NAS1744-1 NAS1745-1 NAS1745-13 NAS1746-1	
M83519/1-2	D-100-00 D-142-50 D-144-00 D-144-12	NAS1744-2 NAS1745-2 NAS1745-14 NAS1746-2	M81786/7-1 M81786/8-1
M83519/1-3	D-101-00 D-142-51 D-144-01 D-144-13	NAS1744-3 NAS1745-3 NAS1745-15 NAS1746-3	M81786/7-2 M81786/8-2
M83519/1-4	D-107-00 D-142-56 D-144-46	NAS1745-17 NAS1745-23 NAS1746-9	
M83519/1-5	D-103-00 D-142-52 D-144-02 D-144-14	NAS1744-4 NAS1745-4 NAS1745-16 NAS1746-4	M81786/7-3 M81786/8-3

1/ FSCM is the federal supply code for manufacturers in accordance with federal supply handbooks H4-1 and H4-2.

Custodians:
Navy - AS
Army - ER
Air Force - 85

Preparing Activity
Air Force - 85
(Project No. 5940-8028)

Review Activities.
Navy - SA MC
Army - MI
Air Force - 99
DSA - GS