

MIL-R-81589(AS)  
Amendment - 1  
15 January 1969

MILITARY SPECIFICATION

RAIN REPELLENT FLUID APPLICATION SYSTEM  
AIRCRAFT WINDSHIELD

This amendment forms a part of Military Specification MIL-R-81589(AS) dated 27 August 1968 and has been approved by the Naval Air Systems Command, Department of the Navy.

Add: Figure 1  
Figure 2  
Figure 3 and Figure 4  
Figure 5

Preparing Activity:  
Navy - AS  
Project No. 1680-N207

FSC-1680

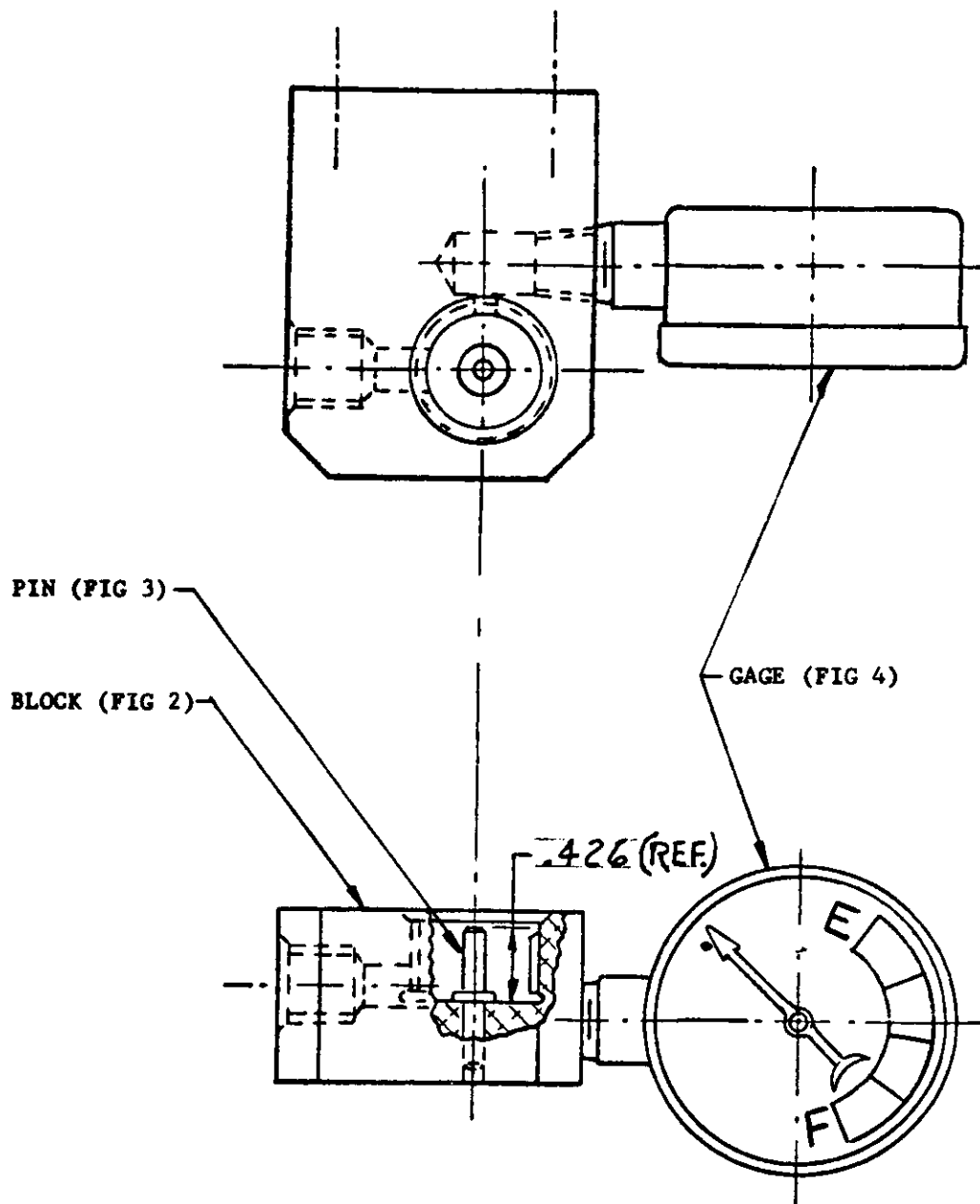
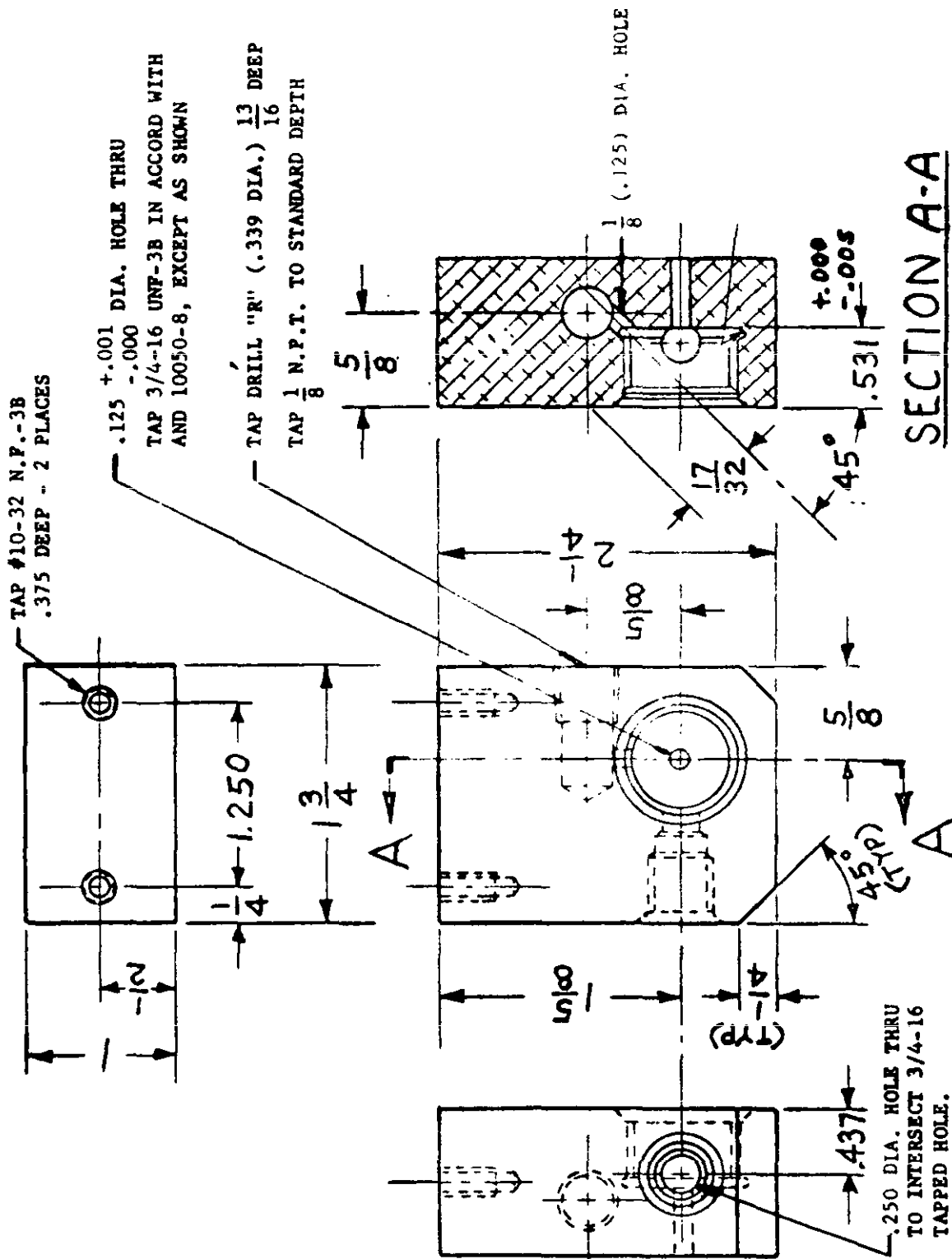


FIGURE 1. CONTAINER ADAPTER BLOCK ASSY.  
(LEFT HAND SHOWN, RIGHT HAND OPPOSITE)

MIL-R-81589(AS)  
Amendment - 1



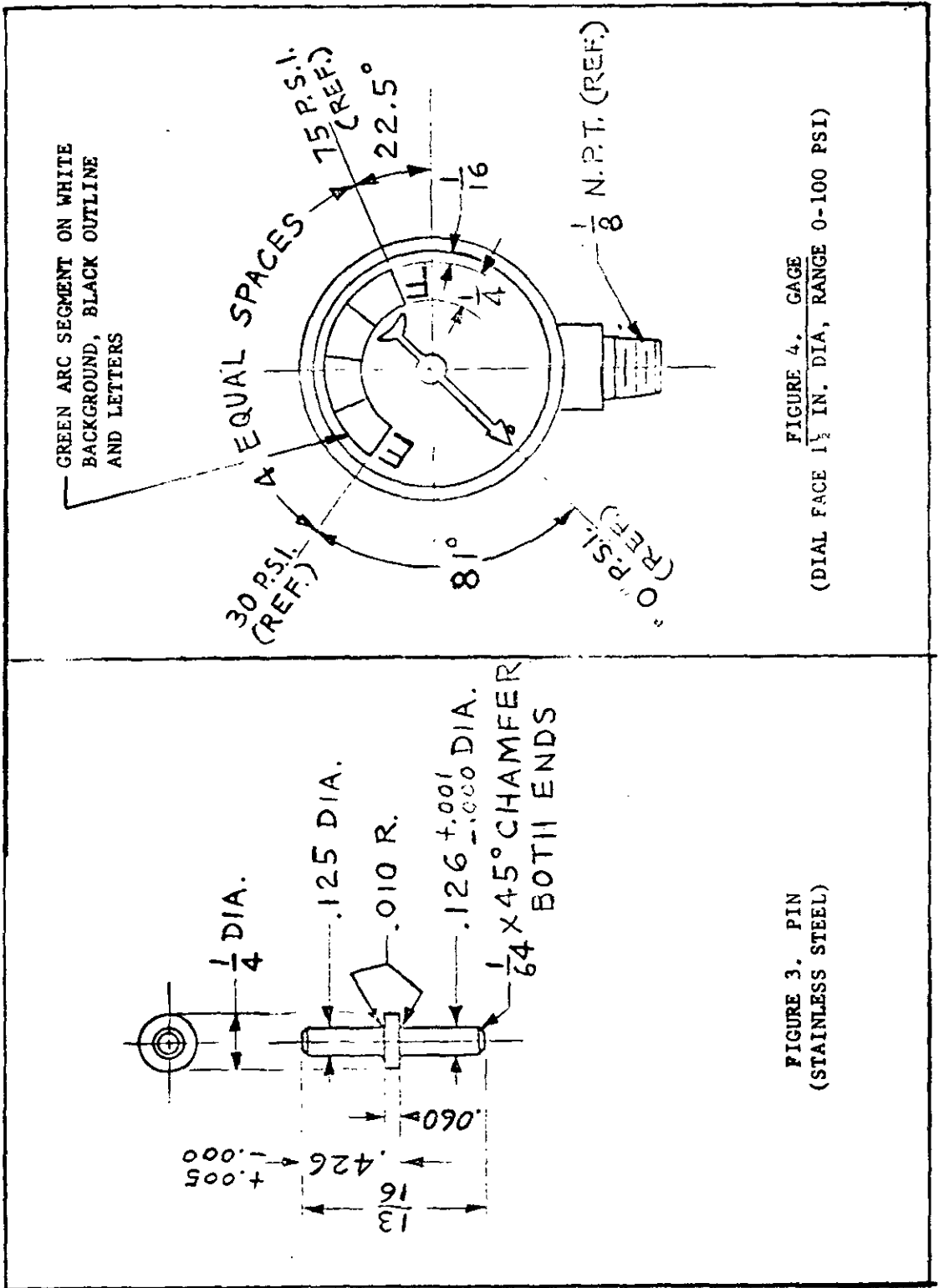


FIGURE 3. PIN  
(STAINLESS STEEL)

FIGURE 4. GAGE

(DIAL FACE  $1\frac{1}{2}$  IN. DIA, RANGE 0-100 PSI)

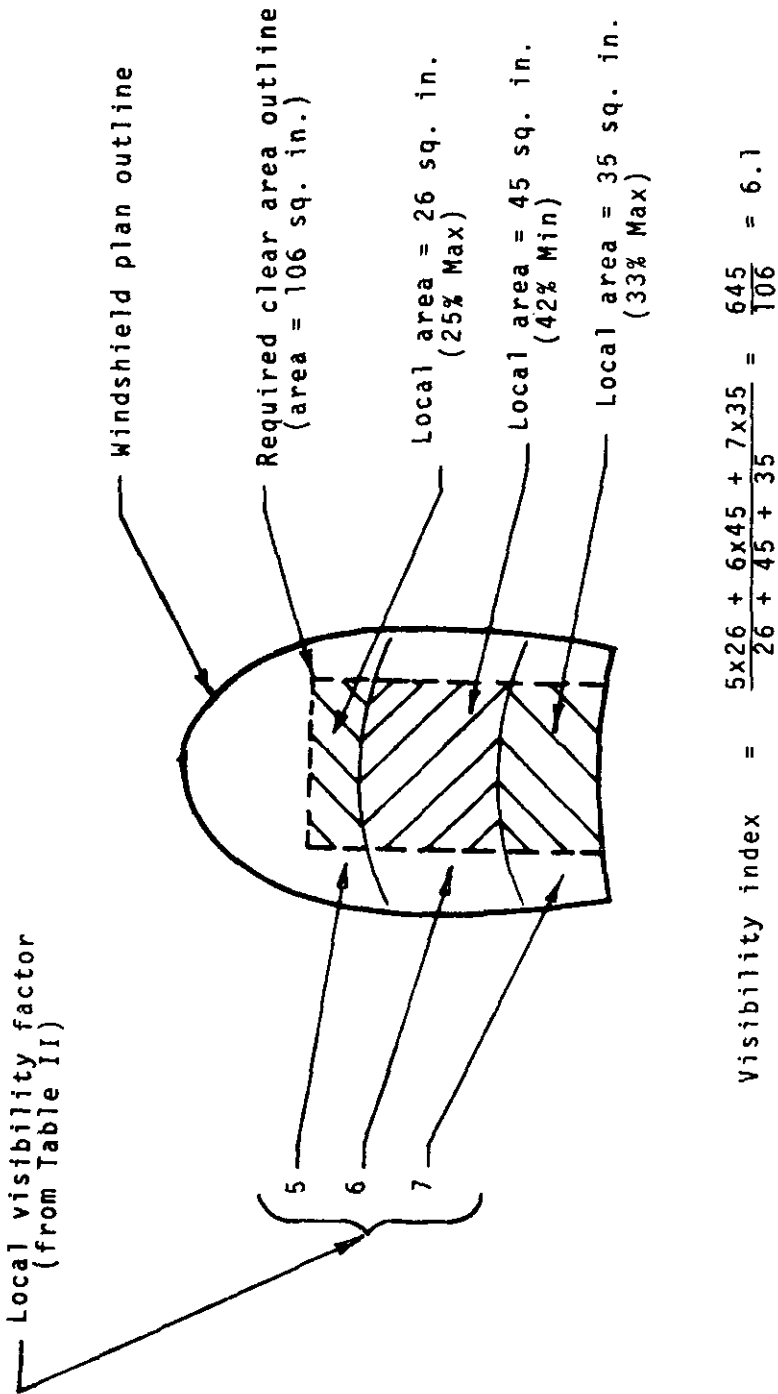


Figure 5. Sample Visibility Index Computation