

(B) This document has been approved for public release and sale; its distribution is unlimited.

MIL-P-24175/1B(SHIPS)
 27 August 1971
 SUPERSEDING
 MIL-P-24175/1A(SHIPS)
 6 September 1968

MILITARY SPECIFICATION SHEET

(B) PANEL, POWER SUPPLY AND CONTROL FOR NAVIGATION LIGHTS, D.P.,
 NON-MAGNETIC, 10 AMPERES, 120 VOLTS, A.C., 60 HERTZ,
 3 PHASE BUS, 6 CIRCUITS, SYMBOL NO. 944.2

The complete requirements for procuring the panel described herein shall consist of this document and the latest issue of MIL-P-24175.

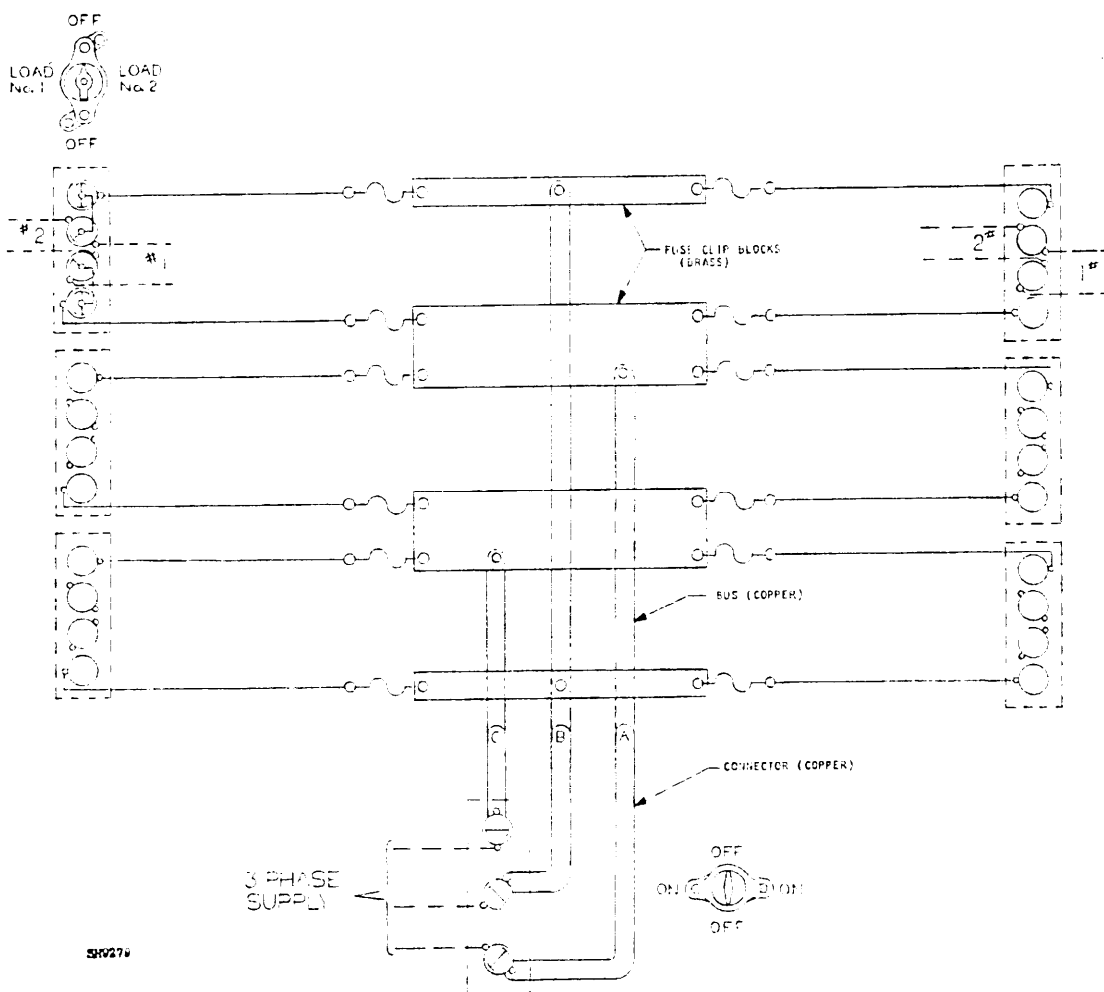
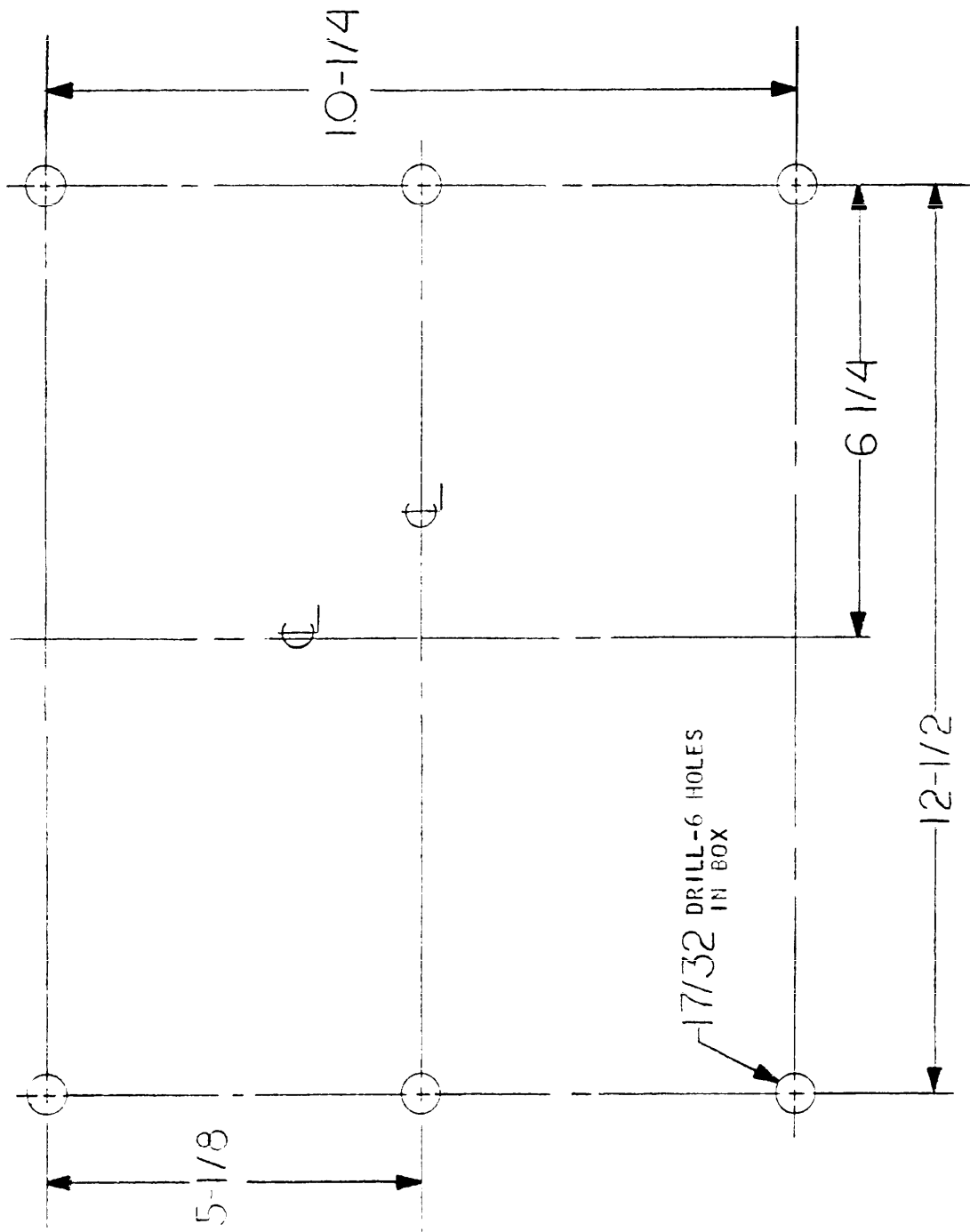


Figure 1 - Panel power supply and control for navigation lights, D.P.,
 3 phase bus, 6 circuits, Symbol No. 944.2.

(B) Denotes changes

FSC 6110

MIL-P-24175/1B (SHIPS)



MOUNTING BOLTS SHALL BE 1/2-13, HEX HEAD
(FURNISHED BY INSTALLING ACTIVITY)

Figure 2 - Mounting dimensions.

SF9280

MIL-P-24175/1B (SHIPS)

REQUIREMENTS:

Enclosure: Overall dimensions shall be approximately 14-1/2 inches high by 14-1/2 inches wide by 3-1/2 inches deep with dripproof construction or drip shield. Note: A typical panel is shown on figure 1 of MIL-P-24175.

Switches, fuses, busses, and connectors: Shall be arranged and installed in the relative locations shown on figure 1. "OFF" position of switches shall be at the top.

(B) Fuse clip blocks and connecting busses: Fuse clip blocks shall be grouped together in a centralized location, and fuses shall be made accessible through a hinged cover in the main box cover. Fuse clip blocks and connecting busses shall be suitably mounted on insulating blocks as required for proper clearances and creepages between phases and ground. Fuse clips, style FC21CF as specified in MIL-F-21346.

Switches: Shall be base mounted and operated by handles in cover via self-aligning coupler arrangement. The bottom left-hand switch shall have a crank-type handle (for "man overboard" flashing operation).

Switch, power supply: Rotary snap, T.P.S.T., type 1SR3A4 of MIL-S-15291 (1 required).

Switch, filament transfer: Rotary snap, D.P.D.T., type 1SR2B4A of MIL-S-15291 (6 required).

(B) Wiring: Shall be as shown on figure 1. Internal wiring, as required, shall be type B of MIL-W-16878. Output wiring from transfer switches to be installed by shipbuilder in accordance with navigation lights control diagram for ship on which panel is to be installed.

Military part number

M24175/1-001

Preparing activity:
Navy - SI
(Project 6110-N154)

SPECIFICATION ANALYSIS SHEET		Form Approved Budget Bureau No. 22-R255
<p>INSTRUCTIONS: This sheet is to be filled out by personnel, either Government or contractor, involved in the use of the specification in procurement of products for ultimate use by the Department of Defense. This sheet is provided for obtaining information on the use of this specification which will insure that suitable products can be procured with a minimum amount of delay and at the least cost. Comments and the return of this form will be appreciated. Fold on lines on reverse side, staple in corner, and send to preparing activity. Comments and suggestions submitted on this form do not constitute or imply authorization to waive any portion of the referenced document(s) or serve to amend contractual requirements.</p>		
SPECIFICATION		
ORGANIZATION		
CITY AND STATE		CONTRACT NUMBER
MATERIAL PROCURED UNDER A <input type="checkbox"/> DIRECT GOVERNMENT CONTRACT <input type="checkbox"/> SUBCONTRACT		
1. HAS ANY PART OF THE SPECIFICATION CREATED PROBLEMS OR REQUIRED INTERPRETATION IN PROCUREMENT USE? A. GIVE PARAGRAPH NUMBER AND WORDING.		
B. RECOMMENDATIONS FOR CORRECTING THE DEFICIENCIES		
2. COMMENTS ON ANY SPECIFICATION REQUIREMENT CONSIDERED TOO RIGID		
3. IS THE SPECIFICATION RESTRICTIVE? <input type="checkbox"/> YES <input type="checkbox"/> NO (If "yes", in what way?)		
4. REMARKS (Attach any pertinent data which may be of use in improving this specification. If there are additional papers, attach to form and place both in an envelope addressed to preparing activity.)		
SUBMITTED BY (Printed or typed name and activity - Optional)		DATE

DD FORM 1426
1 JAN 66

REPLACES EDITION OF 1 OCT 64 WHICH MAY BE USED.

S/N-0102-014-1801

C-25254

FOLD

DEPARTMENT OF THE NAVY

POSTAGE AND FEES PAID
NAVY DEPARTMENT

OFFICIAL BUSINESS

Commander
Naval Ship Engineering Center
Code 6124, Center Building
Prince George's Center
Hyattsville, Maryland 20782

FOLD