

MIL-P-17802D  
AMENDMENT-1  
26 October 1976

**MILITARY SPECIFICATION**

**PADLOCKS AND PADLOCK SETS, LOW SECURITY, KEY  
OPERATED, REGULAR (OPEN) SHACKLE**

This amendment forms part of Military Specification MIL-P-17802D dated 3 December 1975, and is approved for use by all Department and Agencies of the Department of Defense.

Add the attached figures 1 thru 4.

**Custodians:**

Army - GL  
Navy - SH  
Air Force - 99

**Preparing activity:**

Army - GL

Project No. 5340-1201

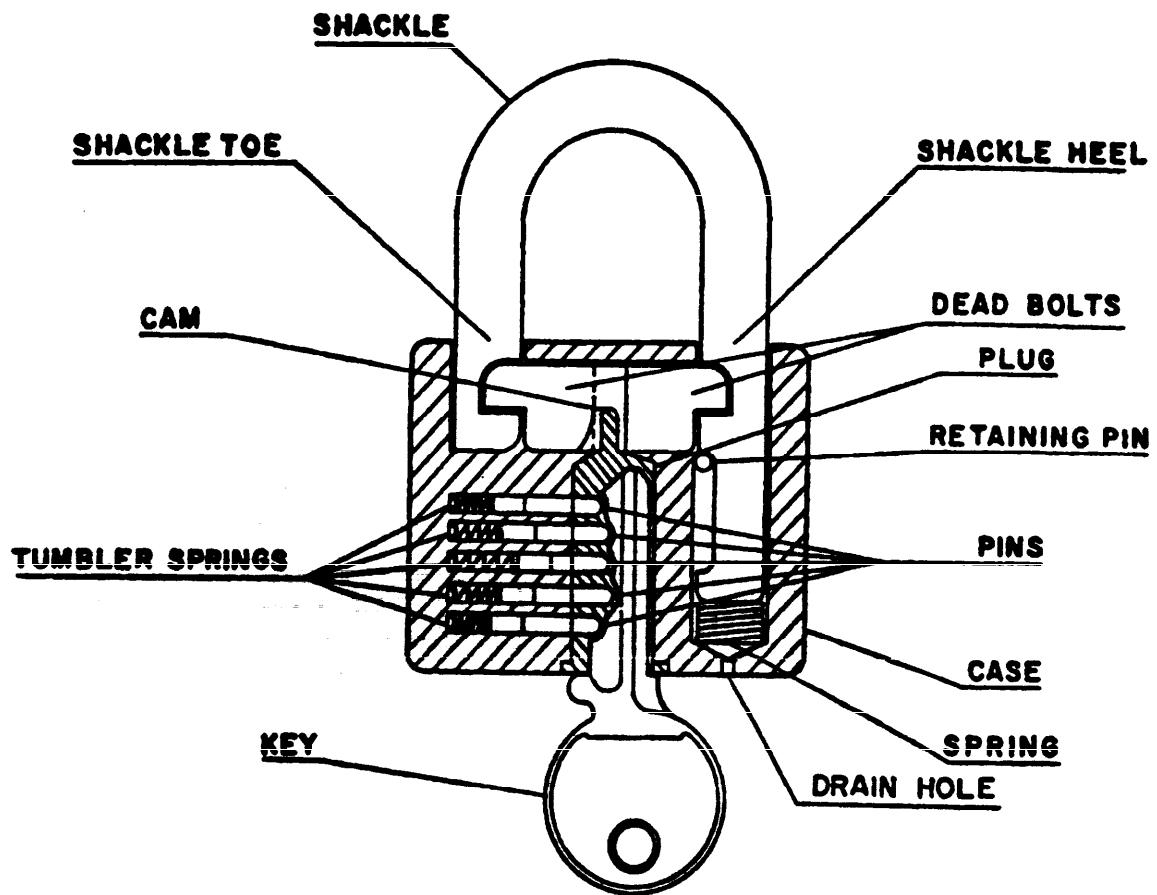
**Review activities:**

Army - WC  
Navy - YD  
DSA - IS

**User activities:**

Navy - CG

FSC 5340



**FIGURE 1.** Padlock component nomenclature.

## UPPER CROSS-SECTION VIEWS

UNLOCKED POSITION

LOCKED POSITION

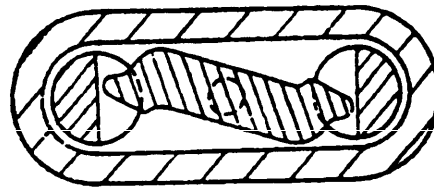
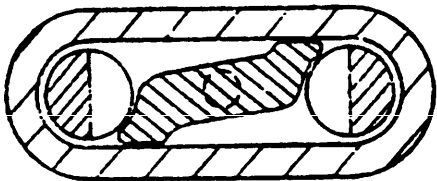
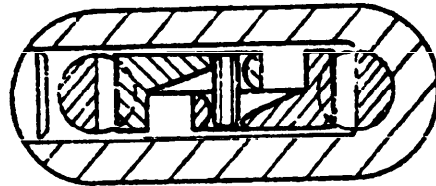
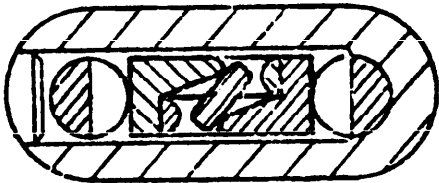
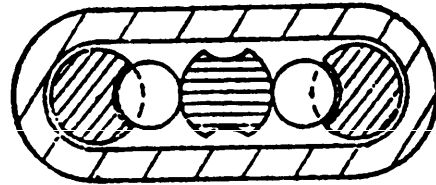
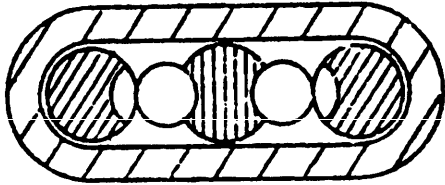
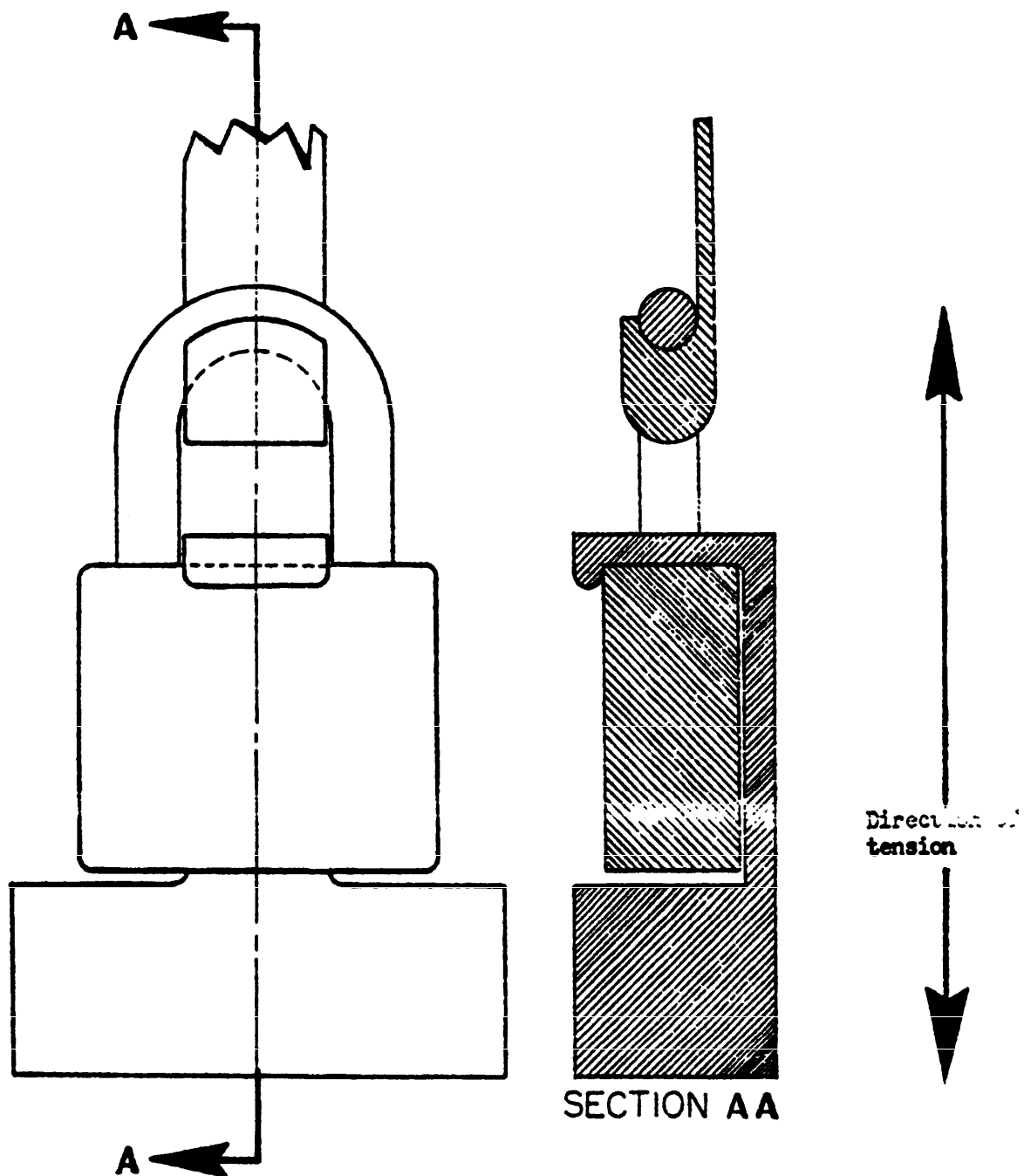


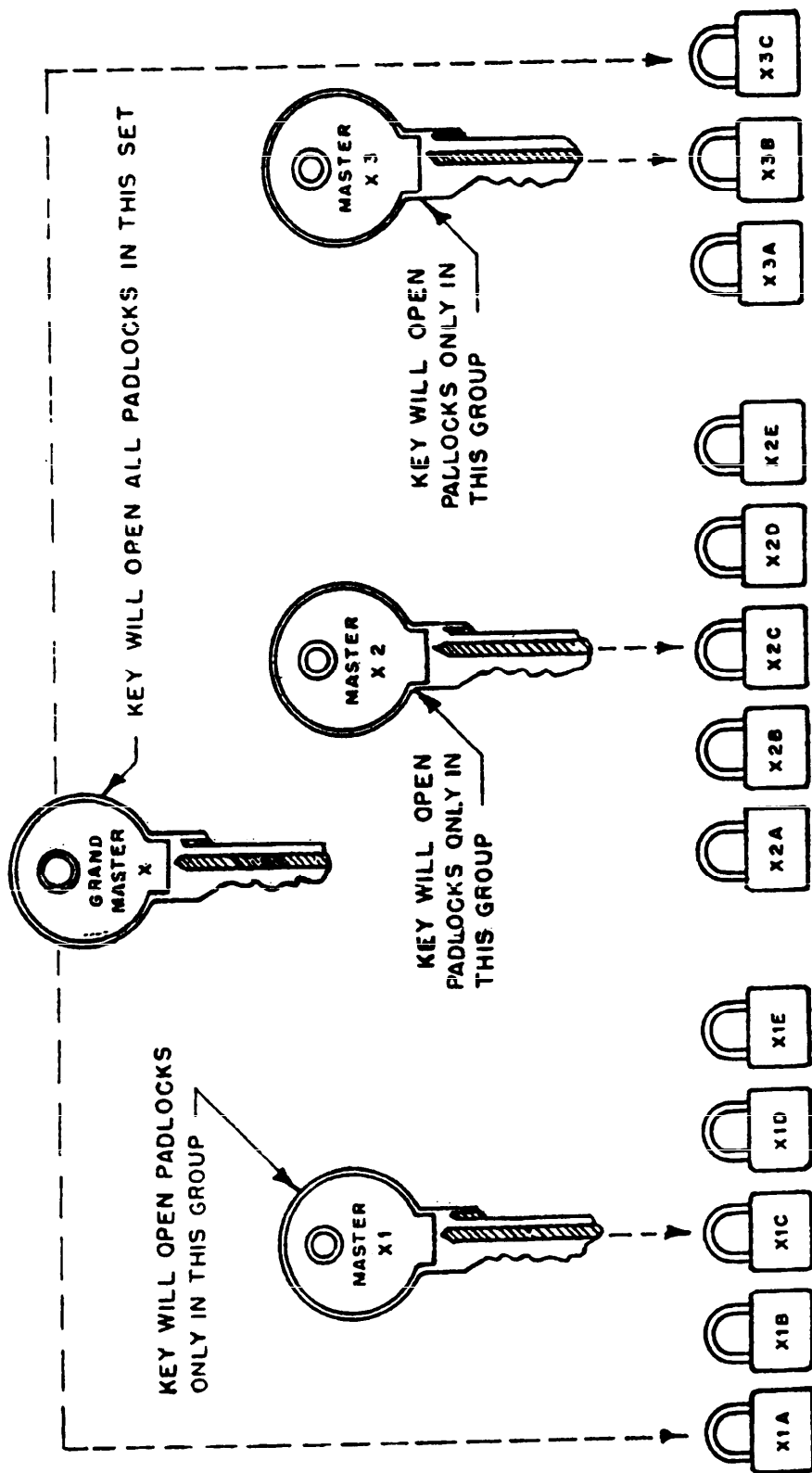
FIGURE 2. *Examples of dead-bolt locking.*



- NOTES.** (1) Various types of gripping devices may be used to transmit the measured load applied by the testing machine to the test specimen.
- (2) The required tension load shall be applied slowly along the vertical center line of the padlock so as to put a direct and equal tension in each shank of the shackle.
- (3) The gripping device shall not distort the shackle when tension is applied.

**FIGURE 3. Example of tension load applications.**

# SET OF 13 PADLOCKS CONTAINING 3 GROUPS



INDIVIDUAL KEYS SHALL BE STAMPED WITH THE SAME NUMBER AS PADLOCKS

FIGURE 4. Example of padlock set identification.