

INCH-POUND

MIL-L-35078/6C
18 May 1990
SUPERSEDING
MIL-L-35078/6B
30 September 1981

MILITARY SPECIFICATION SHEET

LOADS, UNIT: TYPE II, CLASS F - CONTAINERIZED UNIT LOAD, WOOD CLEATED
OR WIREBOUND PLYWOOD BOXES WITH METALLIC STRAPPING ONLY

This specification is approved for use by all Departments and Agencies of the Department of Defense.

The requirements for acquiring Type II, class F unit loads described herein shall consist of this specification sheet and the issue of the following specification listed in that issue of the Department of Defense Index of Specifications and Standards (DODISS) specified in the solicitation: MIL-L-35078.

REQUIREMENTS:

Wood cleated-plywood box. The wood cleated-plywood box shall conform to PPP-B-601, overseas type, for plywood and assembly and in accordance with figure 8 as applicable to weight of contents. The top panel of the box shall be a single piece of plywood.

Wirebound plywood box. The wirebound plywood box shall conform to type IV, grade B of PPP-B-587, except as modified by the requirements of figure 9.

Construction of type II, class F unit loads. Type II, class F containerized unit load shall be packed in either a wood cleated-plywood or wirebound plywood consolidation box specified above, and the box closed and strapped with steel straps specified in MIL-L-35078 and as shown on figure 8 or 9. Stapling of straps on cleated-plywood box shall be in accordance with PPP-B-601.

NO DELIVERABLE DATA REQUIRED BY THIS DOCUMENT

AREA-PACK

1 of 4

DISTRIBUTION STATEMENT A. Approved for public release, distribution is unlimited.

MIL-L-35078/6C

QUALITY ASSURANCE PROVISIONS:

The unit loads shall be examined for the applicable defects listed in table II, MIL-L-35078. In addition, the defects listed in the following table shall apply.

TABLE I. Additional unit load defects

Item	Defect
Box	Not as shown on figures 8 or 9 as applicable
Wood cleated-plywood	Assembly not in accordance with figure 8 Plywood not as specified Top not a single piece of plywood Staples on strapping not as specified
Wirebound plywood	Not in accordance with figure 9 Plywood not as specified
Strapping	Not as shown on figures 8 and 9

Custodians:

Army - GL
Navy - SA
Air Force - 50

Preparing activity:

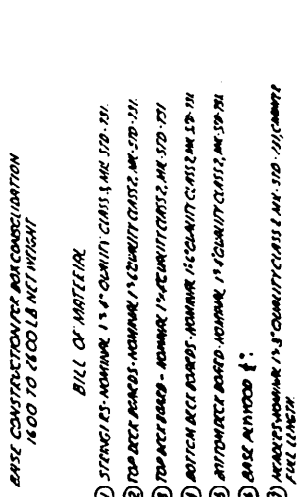
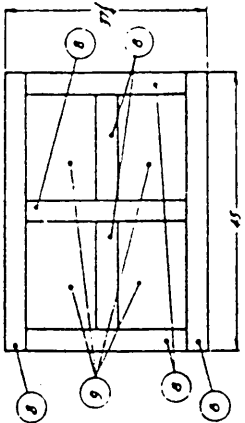
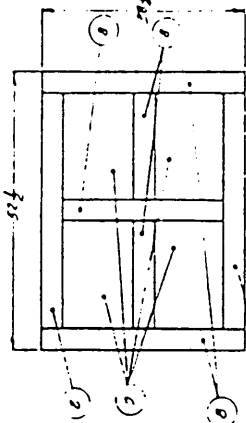
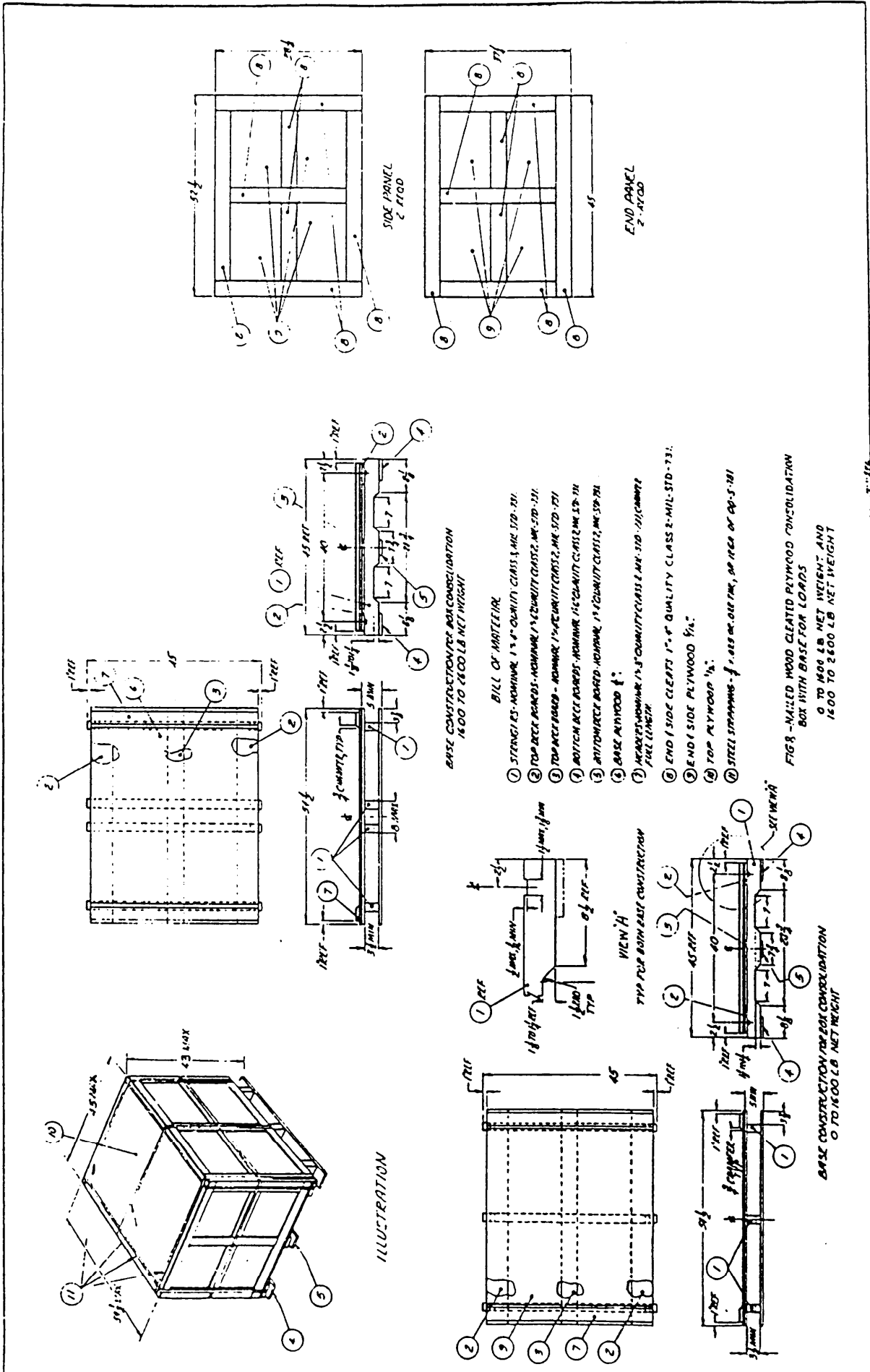
Army - GL
(Project PACK-0920-6)

Review activities:

Army - MD
Navy - MS
Air Force - 45
DP - SS

User activity:

Navy - MC



- BILL OF MATERIALS**
- ① STRINGER - NOMINARE 1 1/2\"/>
 - ② TOP DECK BOARD - NOMINARE 1 1/2\"/>
 - ③ TOP DECK BOARD - NOMINARE 1 1/2\"/>
 - ④ BOTTOM DECK BOARD - NOMINARE 1 1/2\"/>
 - ⑤ ANTIWHEEL BOARD - NOMINARE 1 1/2\"/>
 - ⑥ BASE PLYWOOD 1/2\"/>
 - ⑦ ANGLES - NOMINARE 1 1/2\"/>
 - ⑧ END SIDE CLEATS 1 1/2\"/>
 - ⑨ END SIDE PLYWOOD 1/2\"/>
 - ⑩ TOP PLYWOOD 1/2\"/>
 - ⑪ STEEL STRAPPING - 1\"/>

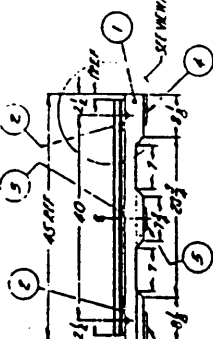
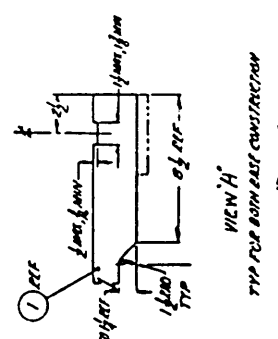
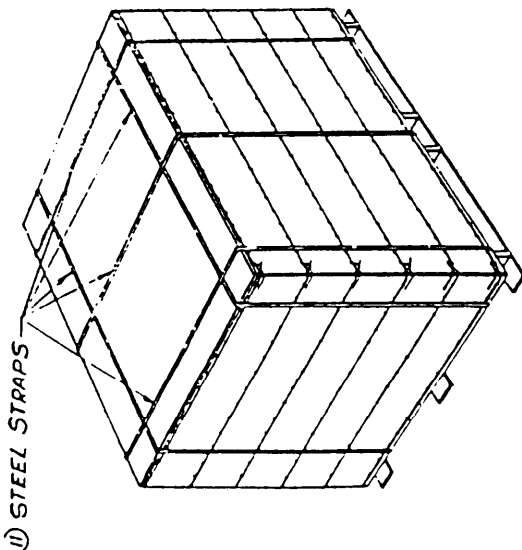
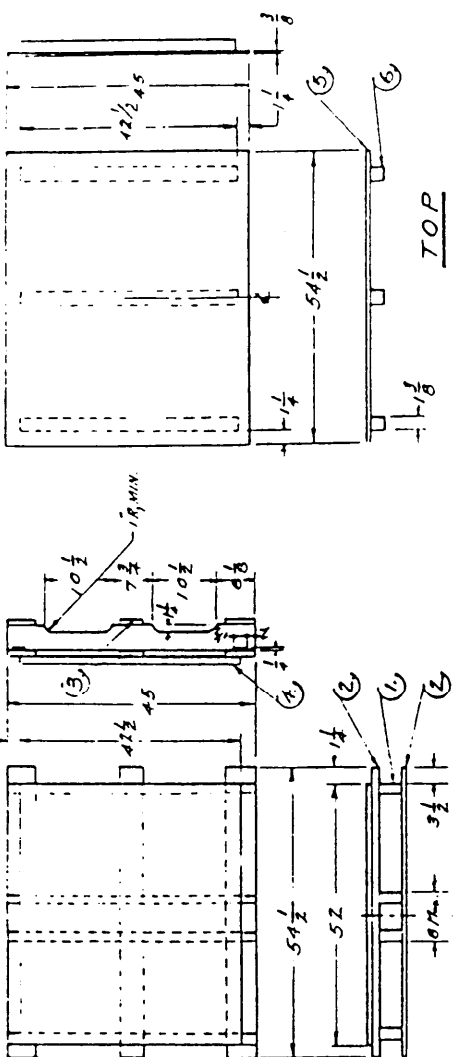


FIG 8 - NAILED WOOD CLEATED PLYWOOD CONSOLIDATION BOX WITH BASE FOR LOADS
 0 TO 1600 LB NET WEIGHT AND
 1600 TO 2600 LB NET WEIGHT

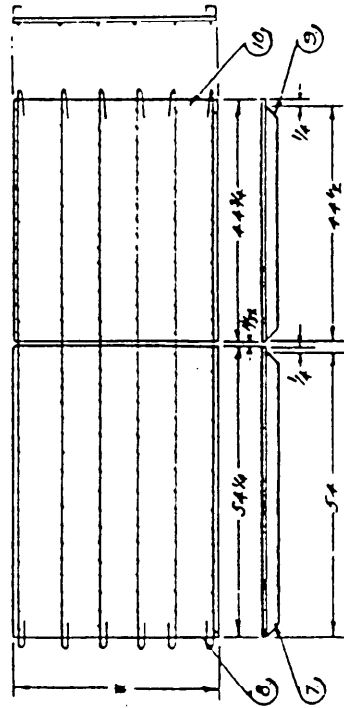
10-1-546



BOX 1. O.D. 54 1/2" x 45" x 43"



NOTE: BASE SHOWN IS FOR NET WEIGHTS 1600 TO 1600 LBS. FOR LOADS UNDER 1600 LBS. USE 1 INTERMEDIATE STRINGER LOCATED AT CENTER LINE.



ITEM NO.	DESCRIPTION	QTY	MATERIAL
11	STEEL STRAPPING	5	3/8\"/>
10	PLYWOOD	2	37 5/8\"/>
9	CLEATS	4	4 1/2\"/>
8	PLYWOOD	2	37 3/4\"/>
7	CLEATS	4	5 1/2\"/>
6	BATTENS	3	4 1/2\"/>
5	PLYWOOD	1	54 1/2\"/>
4	PLYWOOD	1	52 1/2\"/>
3	DECKBOARD	2	54 1/2\"/>
2	DECKBOARD	4	45\"/>
1	SPIDS	4	45\"/>

BOX NO. 1. 978
BLANK
2. 980

FIG. 9 - WIPEBOUND-PLYWOOD CONSOLIDATION BOX WITH SKID BASE FOR LOADS 0 TO 1600 LBS NET WT AND 1600 TO 2600 NET WT

10-1-547C

10-1-5471