

MIL-I-24063B(SH)
AMENDMENT 1
15 February 1985

MILITARY SPECIFICATION

INSERT SETS, SOUND ISOLATION FOR RISIC-1 FLEXIBLE CONNECTORS

This amendment forms a part of Military Specification MIL-I-24063B(SH) dated 15 December 1982 and is approved for use by the Naval Sea Systems Command, Department of the Navy, and is available for use by all Departments and Agencies of the Department of Defense.

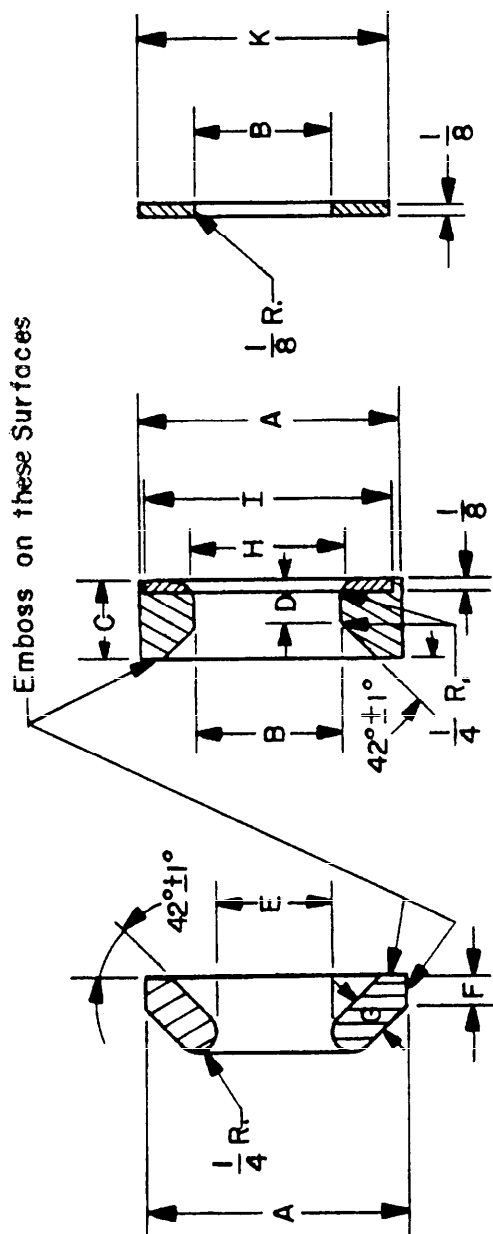
PAGES 12 THROUGH 14

Figures 1 through 3: Delete and substitute the attached figures.

Preparing activity:
Navy - SH
(Project 4730-N592)

FSC 4730

MIL-I-24063B(SH)
AMENDMENT 1



PART III

PART II

PART I

SH 7852A

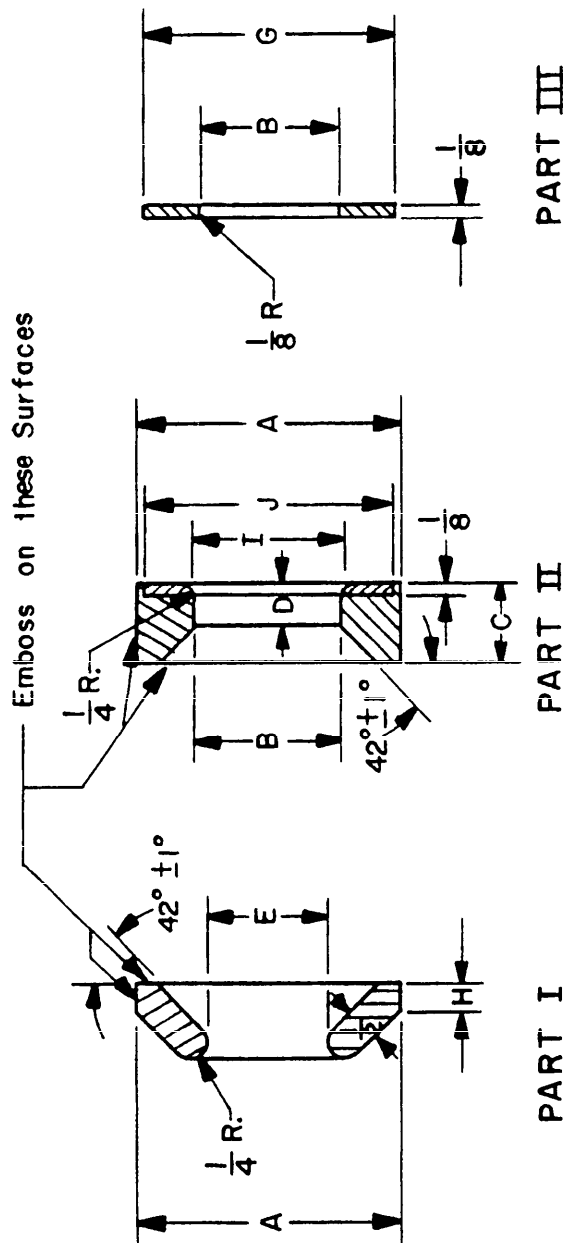
Nominal size Inches	A Inches	B Inches	C Inches	D Inches	E Inches	F Inch	G Inch	H Inches	I Inches	K Inches
1/2	3.110	1-5/8	1	1/2	1-1/8	1/2	1/2	1.793	3.064	2-21/32
3/4	3.298	1-3/4	1	1/2	1-5/16	1/2	1/2	1.918	3.251	2-29/32
1	3.548	2-1/16	1	1/2	1-9/16	1/2	1/2	2.231	3.501	3-3/32
1-1/4	3.860	2-3/8	1	1/2	1-7/8	1/2	1/2	2.543	3.814	3-13/32
1-1/2	4.235	2-11/16	1	1/2	2-1/4	1/2	1/2	2.856	4.188	3-27/32
2	4.673	3-1/8	1	1/2	2-11/16	1/2	1/2	3.293	4.626	4-9/32
2-1/2	5.230	3-5/8	1	1/2	3-1/4	1/2	1/2	3.793	5.189	4-29/32
3	5.980	4-3/16	1-1/8	9/16	3-3/4	7/16	1/2	4.356	5.937	5-19/32
3-1/2	6.480	4-3/4	1-1/8	9/16	4-1/4	7/16	1/2	4.918	6.439	6-1/32
4	6.980	5-1/4	1-1/8	9/16	4-3/4	7/16	1/2	5.418	6.937	6-17/32
5	7.976	6-1/4	1-1/8	9/16	5-3/4	7/16	1/2	6.418	7.926	7-17/32
6	9.125	7-3/8	1-1/8	9/16	6-7/8	7/16	1/2	7.543	9.064	8-21/32
8	13.958	10	1-15/16	1-1/16	-----	-----	---	10.000	13.876	13-17/32
8	12.438	9-11/16	1-1/2	3/4	9-1/8	1/2	3/4	9.6876	12.401	12-5/16

NOTE 1. The 8 inch size insert set having a 14 inch nominal "A" dimension shall consist of two part II inserts (one without washer) and one part III.

2. The tolerance on the "A" dimension for part II is +0.000 and -(table III value)

FIGURE 1. Style A inserts.

MIL-I-24063B(SH)
AMENDMENT 1



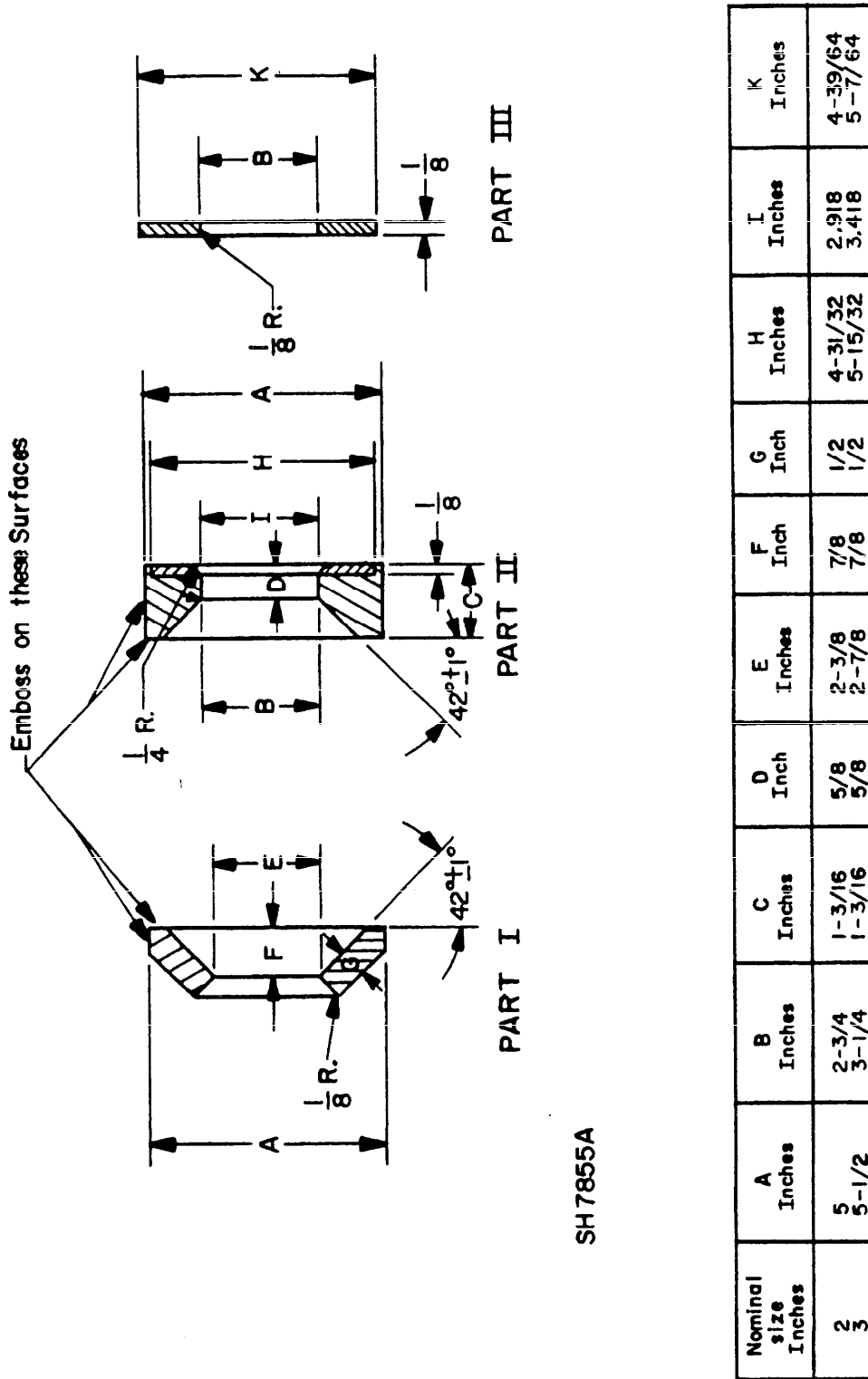
SH 7853A

Nominal size Inches	A Inches	B Inches	C Inches	D Inches	E Inches	G Inches +0.000-0.005	H Inch	I Inches	J Inches
1/2	2.922	1-1/2	1-1/16	7/16	1-1/8	2.621	5/8	1.293	2-29/32
3/4	3.110	1-11/16	15/16	3/8	1-15/16	2.808	1/2	1.480	3-3/32
1	3.610	2-1/16	1-1/16	7/16	1-9/16	3.307	1/2	1.730	3-19/32
1-1/4	3.860	2-3/8	1	3/8	1-7/8	3.557	1/2	2.043	3-27/32
1-1/2	4.422	2-3/4	1	3/8	2-1/4	4.120	3/8	2.418	4-13/32
2	4.922	3-3/16	1-1/16	3/8	2-11/16	4.620	7/16	2.855	4-29/32
2-1/2	5.485	3-1/2	1-1/8	7/16	3-1/8	5.181	3/8	3.293	5-15/32
3	5.98	4-1/4	1-1/16	3/8	3-3/4	5.681	7/16	3.918	5-31/32
3-1/2	6.542	4-3/4	1-1/16	3/8	4-1/4	6.243	7/16	4.418	6-17/32
4	6.98	5-1/4	1-3/16	3/4	4-3/4	6.680	1/2	5.543	6-31/32
5	8.226	6-1/4	1-3/16	13/16	5-3/4	7.929	3/8	6.543	8-7/32
6	9.226	7-3/8	1-1/16	9/16	6-7/8	8.835	7/16	7.668	9-7/32

NOTE: 1. The tolerance on the "A" dimension for part II is +0.000 -(table III value).

FIGURE 2. Style B Inserts.

MIL-I-24063B(SH)
AMENDMENT 1



NOTE I. THE TOLERANCE ON THE "A" DIMENSION FOR PART II IS +0.0000 -- (TABLE III VALUE)

FIGURE 3. Style D inserts.

SH7855A