

INCH-POUND

MIL-H-17902F(SH)  
 AMENDMENT 1  
 12 December 1990

## MILITARY SPECIFICATION

HOSE, END FITTINGS AND HOSE ASSEMBLIES,  
 SYNTHETIC RUBBER, AIRCRAFT FUELS

This amendment forms a part of MIL-H-17902F(SH), dated 23 December 1988, and is approved for use by the Department of the Navy and is available for use by all Departments and Agencies of the Department of Defense.

## PAGE 2

1.2.1.2, table II: Delete and substitute:

"TABLE II. Hose type designation.

| Symbol | Hose type/configuration      |
|--------|------------------------------|
| CCA    | Collapsible hose assembly    |
| CCH    | Collapsible hose only        |
| NCA    | Noncollapsible hose assembly |
| NCH    | Noncollapsible hose only     |

## PAGE 5

3.2.5, table V: Delete and substitute part number 11:

|     |                    |                |                           |
|-----|--------------------|----------------|---------------------------|
| 11. | Coupling body male | Brass, Forging | ASTM B.283,<br>UNS C37700 |
|-----|--------------------|----------------|---------------------------|

3.2.5, table V: Add the following:

|     |                      |                |                           |
|-----|----------------------|----------------|---------------------------|
| 17. | Coupling body female | Brass, Forging | ASTM B.283,<br>UNS C37700 |
|-----|----------------------|----------------|---------------------------|

## PAGE 8

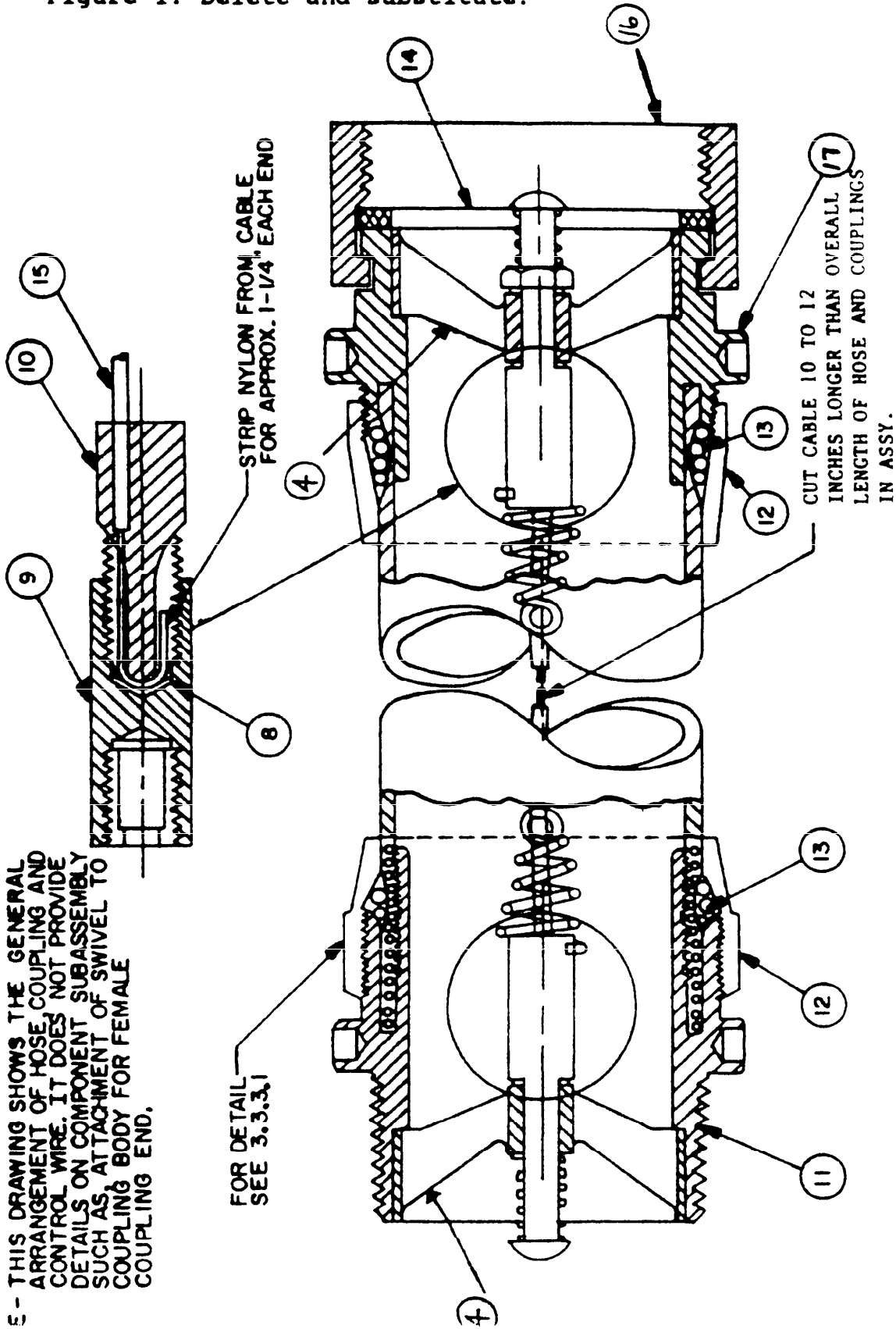
3.4.2, Delete lines (b) and (e).

AMSC N/A

FSC 4720

DISTRIBUTION STATEMENT A. Approved for public release;  
 distribution is unlimited.

Figure 1: Delete and substitute:



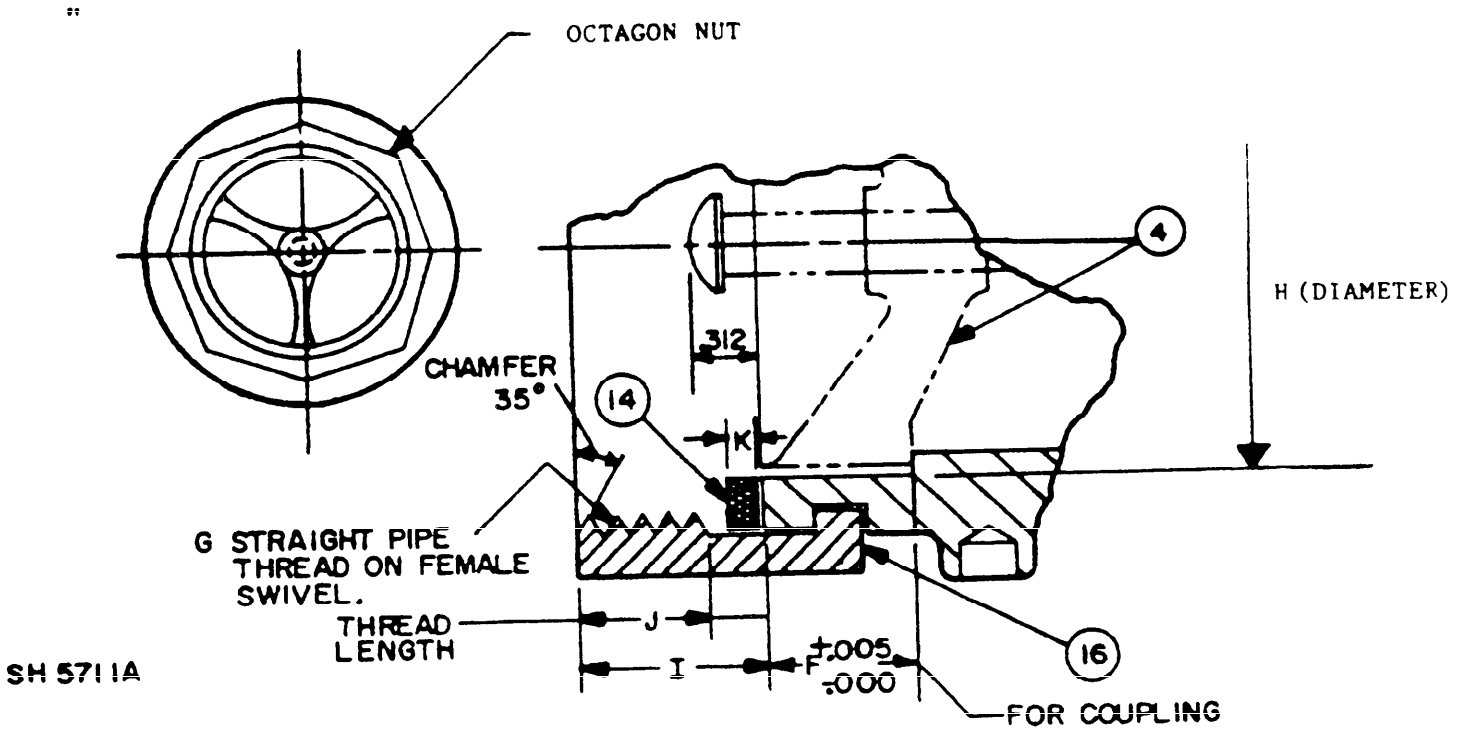
5- THIS DRAWING SHOWS THE GENERAL ARRANGEMENT OF HOSE, COUPLING AND CONTROL WIRE. IT DOES NOT PROVIDE DETAILS ON COMPONENT SUBASSEMBLY SUCH AS ATTACHMENT OF SWIVEL TO COUPLING BODY FOR FEMALE COUPLING END.

FIGURE 1. Hose and control wire assembly.

MIL-H-17902F(SH)  
AMENDMENT 1

PAGE 22

Figure 3: Delete and substitute:



SH 5711A

| SIZE  | F     | G                  | H    | I     | J     | K    |
|-------|-------|--------------------|------|-------|-------|------|
| 1-1/2 | 0.560 | 1-1/2 - 11-1/2 NPT | 1.52 | 19/32 | 15/32 | 1/8  |
| 2-1/2 | .781  | 2-1/2 - 8 NPT      | 2.52 | 15/16 | 11/16 | 3/16 |

FIGURE 3. Partial detail of female coupling end.

Preparing activity:  
Navy-SH  
(Project 4720-N003)

Review activity:  
DLA-CS