

INCH-POUND

MIL-DTL-9177/3D
4 September 2018
SUPERSEDING
MIL-DTL-9177/3C(USAF)
25 November 2002

DETAIL SPECIFICATION SHEET

CONNECTOR, AUDIO, AIRBORNE, JACK, CABLE, 4 CONTACT

This specification is approved for use
for use by all Departments and Agencies of the Department of Defense (DoD).

The requirements for acquiring the product described
herein shall consist of this specification and MIL-DTL-9177.

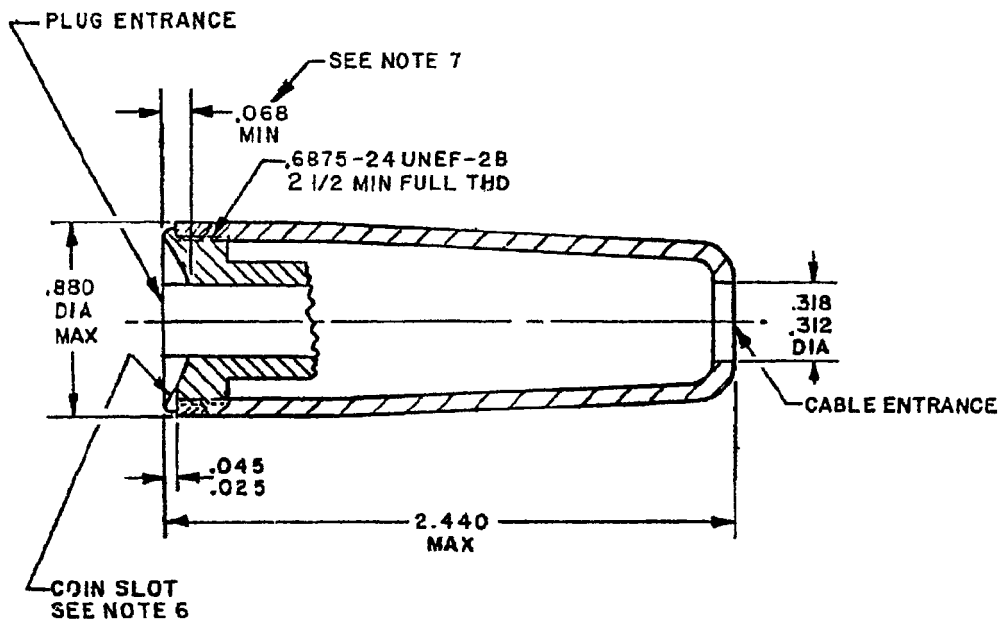


FIGURE 1. Dimensions and configurations.



MIL-DTL-9177/3D

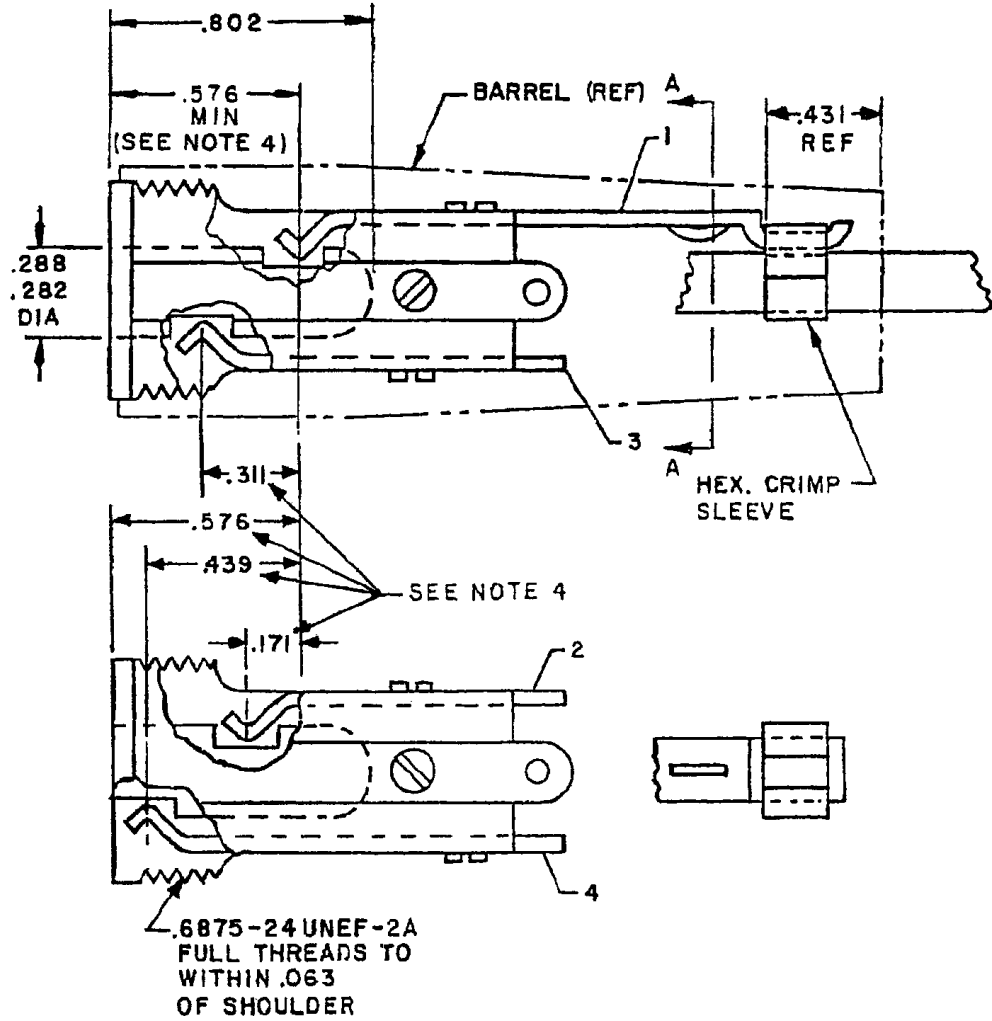
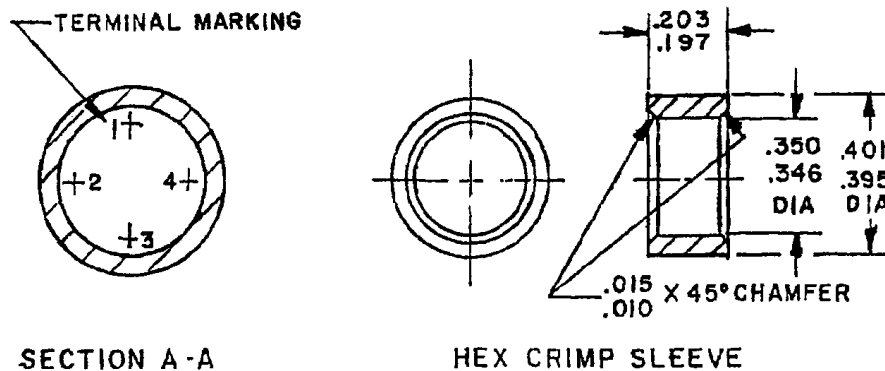


FIGURE 1. Dimensions and configurations – Continued.

MIL-DTL-9177/3D



Inches	mm	Inches	mm	Inches	mm
.010	0.25	.203	5.16	.395	10.03
.015	0.38	.282	7.16	.401	10.19
.025	0.64	.288	7.32	.431	10.94
.045	1.14	.311	7.90	.439	11.15
.068	1.73	.312	7.92	.576	14.63
.171	4.34	.318	8.08	.802	20.37
.197	5.00	.346	8.79	.880	22.35
		.350	8.89	2.440	61.98

NOTES:

1. Dimensions are in inches.
2. Metric equivalents are given for general information only.
3. Unless otherwise specified, tolerance is $\pm .005$ (0.13 mm).
4. If the jack passes the electrical continuity test using the test plug this will be accepted as evidence that the jack meets the contact location requirements.
5. All undimensioned pictorial representations are for reference purposes only.
6. Coin slot width .073 (1.85 mm) minimum.
7. .068 (1.73 mm) is the minimum depth measured to the theoretical intersection of the arc with the horizontal centerline.

FIGURE 1. Dimensions and configurations – Continued.

MIL-DTL-9177/3D

REQUIREMENTS:

Dimensions and configurations: See figure 1.

Crimp sleeve: The crimp sleeve requirement is applicable.

Tool data: Use M22520/5-01 hand tool with crimp die M22520/5-29, M22520/5-35, or M22520-55.

Static load: The static load test is applicable.

Insertion and withdrawal forces: The insertion and withdrawal forces shall be as specified:

Insertion force: 13 pounds maximum.

Withdrawal force: 6 pounds minimum, 10 pounds maximum.

Insertion and withdrawal force after spring life: 4.5 pounds minimum.

Frame strength: The frame strength test is applicable.

Spring life: The spring life test is applicable.

Contact spring pressure: The contact spring pressure test is applicable.

Cable retention: The cable retention test is applicable. The test cable shall be WF-14/U. The force shall be 30 pounds minimum.

Marking: Identification marking shall include both the U-92A/U and M9177/3-1 numbers.

Body, insulation and shell: Materials shall have electrical and non-electrical properties appropriate for their intended use in electrical components. Optional materials are as follows:

Body and insulation:

- a. Polyvinylidene fluoride.
- b. Glass-filled polycarbonates in accordance with ASTM-D3935.
- c. Glass-filled polystyrene in accordance with ASTM-D4549.

Shell: Nylon zytel ST801.

Specified mating connector: For testing, the specified mating connector shall be M9177/1-1.

Mating connectors: M9177/1-1 and M9177/2-1.

Part or Identifying Number (PIN): M9177/3-1.

Supersession data: M9177/3-1 supersedes U-92A/U.

Changes from previous issue. Marginal notations are not used in this revision to identify changes with respect to the previous issue due to the extent of the changes.

Referenced documents. In addition to MIL-DTL-9177, this document references the following:

ASTM-D3935

ASTM-D4549

MIL-DTL-9177/3D

CONCLUDING MATERIAL

Custodians:
Air Force – 85
DLA - CC

Preparing Activity:
DLA - CC

Review activities:
Air Force – 19

(Project 5935-2018-119)

NOTE: The activities listed above were interested in this document as of the date of this document. Since organizations and responsibilities can change, you should verify the currency of the information above using the ASSIST Online database at <https://assist.dla.mil/>.