

INCH-POUND
MIL-DTL-83798/7C
18 August 2008
SUPERSEDING
MIL-DTL-83798/7B
18 September 2000

DETAIL SPECIFICATION SHEET

FITTINGS, RUBBER HOSE, LIGHTWEIGHT, MEDIUM PRESSURE,
SWIVEL FLANGE, STRAIGHT

This specification is approved for use by all Departments and Agencies of the Department of Defense.

The requirements for acquiring the product described herein shall consist of this specification sheet and MIL-DTL-83798.

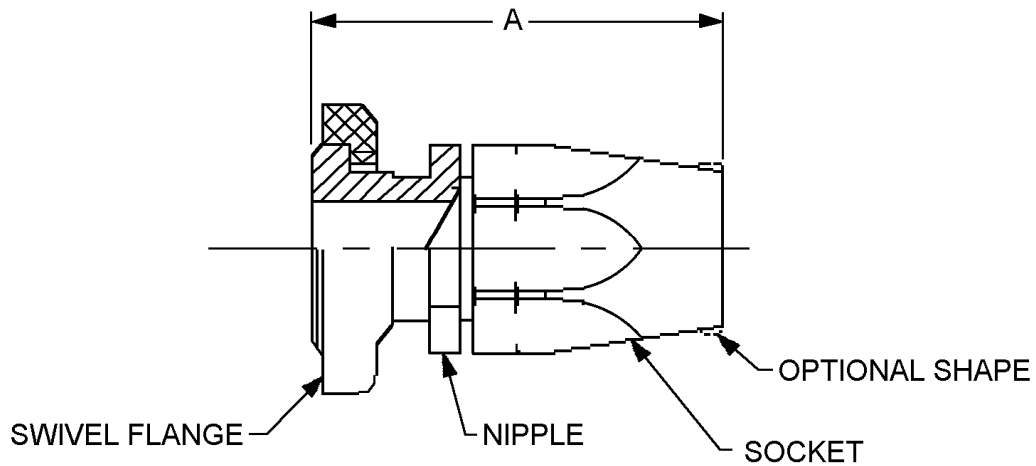


FIGURE 1. Fitting, swivel flange straight.

MIL-DTL-83798/7C

Dash Number	A (max)		Weight (max)	
	inch	mm	lbs.	grams
-8	1.82	46.23	0.099	44.91
-10	1.87	47.50	0.122	55.34
-12	2.29	58.17	0.165	74.84
-16	2.60	66.04	0.251	113.85
-20	2.82	71.63	0.368	166.92
-24	2.74	69.60	0.454	205.93
-32	3.08	78.23	0.739	335.20

NOTES:

1. Dimensions are in inches.
2. Metric equivalents are given for information only.

FIGURE 1. Fitting, swivel flange straight - Continued.

REQUIREMENTS:

Design and construction:

Dimensions and configuration: See figure 1.

Materials and finishes. Materials and finishes for the flange, nipple, and socket shall be as specified in table I.

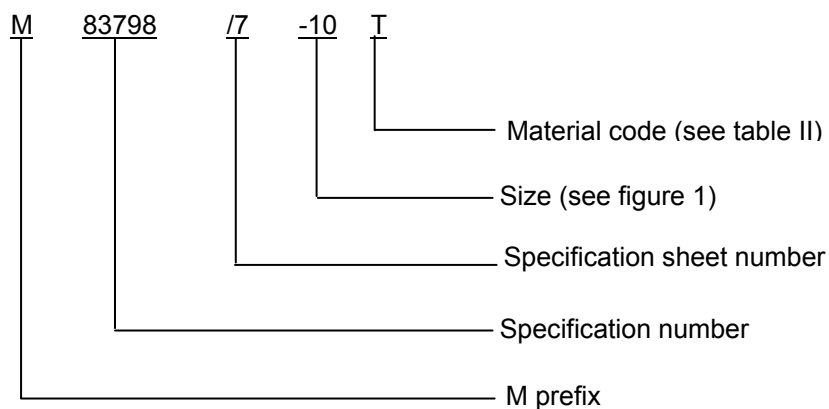
The swivel flange shall be in accordance with MS20756 and shall mate with MS33786.

TABLE I. Material and finish.

Component	Material	Finish
Socket	Aluminum in accordance with MIL-DTL-83798	Anodize in accordance with MIL-A-8625, type II.
Nipple		
Flange		
All	Titanium in accordance with SAE-AMS4928 (alloy 6Al-4V)	Annealed

MIL-DTL-83798/7C

Part or Identifying Number (PIN) example:



M83798/7-10L-T indicates: Straight swivel flange, 7/8 inch, titanium annealed.

Flange, nipple, and socket material and finish code is specified in table II.

TABLE II. Flange, nut and socket material code.

PIN code dash letter	Material	Plating finish
Blank	Aluminum	Anodize
-T	Titanium	Annealed

Changes from previous issue. Marginal notations are not used in this revision to identify changes with respect to the previous issue due to the extent of the changes.

Referenced documents. In addition to MIL-DTL-83798, this document references the following:

MIL-A-8625
 MS20756
 MS33786
 SAE-AMS4928

MIL-DTL-83798/7C

CONCLUDING MATERIAL

Custodians:

Army - AV
Navy - AS
Air Force - 99
DLA - CC

Preparing activity:
DLA - CC

(Project 4730-2007-124)

Review activities:

Army - AT
Navy-SA
Air Force - 71, 85

NOTE: The activities listed above were interested in this document as of the date of this document. Since organizations and responsibilities can change, you should verify the currency of the information above using the ASSIST Online database at <http://assist.daps.dla.mil>.