

METRIC

MIL-DTL-83538B  
 27 January 2004  
 SUPERSEDING  
 MIL-DTL-83538A  
 24 December 1998

## DETAIL SPECIFICATION

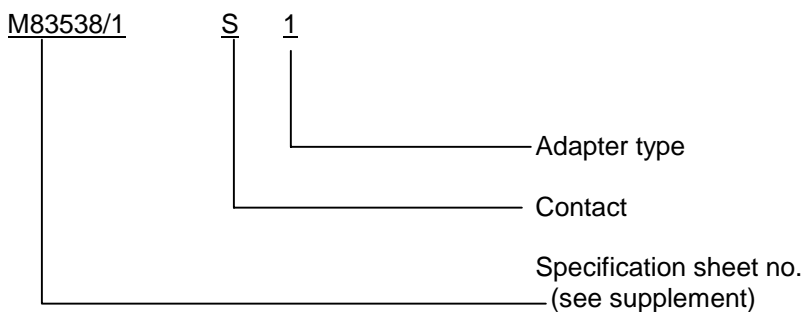
### CONNECTORS AND ACCESSORIES, ELECTRICAL, CIRCULAR, UMBILICAL, ENVIRONMENT RESISTANT, REMOVABLE CRIMP CONTACTS FOR MIL-STD-1760 APPLICATIONS (METRIC), GENERAL SPECIFICATION FOR

This specification is approved for use by all Departments  
 and Agencies of the Department of Defense.

#### 1. SCOPE

1.1 Scope. This specification covers connectors and accessories, electrical, circular, umbilical. The connector assembly provides the necessary connections required to meet MIL-STD-1760, class I electrical interface between stores and their associated launchers using a "blind mating" mechanism. The connector assembly consists of a receptacle installed on the launcher, a receptacle installed on the store, and a buffer plug installed between the two receptacles. This specification also includes the required mounting adapters and nut, accessory adapter, cable bushing, and protective covers (see 6.1 for details on intended use and application).

1.1.1 Marking. The launcher receptacle, store receptacle, buffer plug unit, and accessories should be permanently marked with the manufacturer's name or trademark, date code, and the following information, as applicable. Stamping should be in accordance with MIL-STD-1285 where space permits. The following is an example of the Part or Identifying Number (PIN):



Comments, suggestions, or questions on this document should be addressed to Defense Supply Center Columbus, ATTN: VAI, P.O. Box 3990, Columbus OH 43216-5000 or emailed to [circularconnector@dsccl.dla.mil](mailto:circularconnector@dsccl.dla.mil). Since contact information can change, you may want to verify the currency of this address information using the ASSIST Online database at <http://www.dodssp.daps.mil>.

## MIL-DTL-83538B

1.2 Physical characteristics. The connector assembly (see figure 1) consists of a launcher receptacle, MIL-DTL-83538/4, buffer plugs, MIL-DTL-83538/3 and MIL-DTL-83538/11, and a store receptacle, MIL-DTL-83538/1. In addition, there are connector caps to protect the launcher receptacle and the store receptacle after they have been installed on launchers and stores and are not mated with the buffer plug. The launcher receptacle cap, MIL-DTL-83538/8, meets all the environmental, EMI, and retention requirements that apply to the buffer plug. The store receptacle cap, MIL-DTL-83538/7, meets the sand and dust requirement (see 3.36). The launcher receptacle accessory adapter, MIL-DTL-83538/9, mates with the same accessories in accordance with MIL-C-38999, series III and are covered in SAE-AS85049.

1.2.1 Contact styles:

Connectors used with standard contact arrangements as indicated in MIL-STD-1560, are as follows:

- P - Pin: Buffer plug only (nonremovable).
- S - Socket: Receptacles only (Crimp, removable).
- L - No contacts are provided with the receptacle.

The "P" or "S" designators are used to indicate that connectors will be used with full complements of the applicable standard contacts as indicated in MIL-STD-1560.

Receptacles accommodate crimp removable contacts "(S)" and may be ordered without standard contacts by using an "L" designator.

## 2. APPLICABLE DOCUMENTS

2.1 General. The documents listed in this section are specified in sections 3, 4, or 5 of this specification. This section does not include documents cited in other sections of this specification or recommended for addition information or as examples. While every effort has been made to ensure the completeness of this list, document users are cautioned that they must meet all specified requirements documents cited in sections 3, 4, or 5 of this specification, whether or not they are listed.

2.2 Government documents.

2.2.1 Specifications, standards, and handbooks. The following specifications, standards, and handbooks form a part of this document to the extent specified herein. Unless otherwise specified, the issues of these documents are those cited in the solicitation or contract.

## DEPARTMENT OF DEFENSE SPECIFICATIONS

MIL-DTL-5624	-	Turbine Fuel, Aviation, Grades JP-4 and JP-5, and JP-5/JP-8 ST
MIL-DTL-22520	-	Crimping Tools, Wire Termination, General Specification for
MIL-C-39029	-	Contacts, Electrical Connector, General Specification for.
MIL-C-39029/56	-	Contacts, Electrical Connector, Socket, Crimp Removable, (For MIL-C-38999 Series I, III, and IV Connectors)
MIL-C-39029/75	-	Contacts, Electrical Connector, Socket, Crimp Removable, Shielded, Size 12 (For MIL-C-38999 Series I, III, and IV Connectors)
MIL-C-39029/91	-	Contact, Electrical Connector, Concentric Twinax, Socket, Shielded, Size 8
MIL-C-39029/102	-	Contacts, Electrical Connector, PIN, Crimp Removable, Coaxial, Size 12 (For MIL-C-38999 Series I, II, III, and IV Connectors)
MIL-C-39029/103	-	Contacts, Electrical Connector, Socket, Crimp Removable, Coaxial, Size 12, (For MIL-C-38999 Series I, II, III and IV Connectors)
MIL-A-46146	-	Adhesive Sealants, Silicone, RTV, NonCorrosive (For Use with Sensitive Metals and Equipment)

## MIL-DTL-83538B

MIL-DTL-55330	-	Connectors, Electrical and Fiber Optic, Packaging of
MIL-I-81969	-	Installing and Removal Tools, Connector, Electrical Contact, General Specification for
MIL-I-81969/8	-	Installing and Removal Tools, Connector Electrical Contact, Types I and II, Class 2, Composition A
MIL-I-81969/14	-	Installing and Removal Tools, Connector Electrical Contact, Type III, Class 2, Composition B
MIL-DTL-83538/6	-	Connectors and Accessories, Electrical, Circular, Umbilical, Nut, Hexagon, Store Receptacle Connector Mounting, For MIL-STD-1760 Applications (Metric)
MIL-DTL-83538/9	-	Connectors and Accessories, Electrical, Circular, Umbilical, Adapter, Accessory, Launcher Receptacle For MIL-STD-1760 Applications (Metric)
MIL-DTL-83538/11-	-	Connectors and Accessories, Electrical, Circular, Umbilical, Adapter, Buffer Plug, Non-Removable PIN Contacts, For MIL-STD-1760 Applications (Metric)
MIL-DTL-83538/12-	-	Connectors and Accessories, Electrical, Circular, Umbilical, Protective Cap, Installation and Removal Tool, For MIL-STD-1760 Applications (Metric)

## DEPARTMENT OF DEFENSE STANDARDS

MIL-STD-790	-	Established Reliability and High Reliability Qualified Products List (QPL) Systems for Electrical, Electronic, and Fiber Optic Parts Specifications
MIL-STD-810	-	Environmental Engineering Considerations and Laboratory TestS
MIL-STD-889	-	Dissimilar Metals
MIL-STD-1285	-	Marking of Electrical and Electronic Parts
MIL-STD-1472	-	Human Engineering
MIL-STD-1560	-	Insert Arrangements for MIL-DTL-38999, MIL-C-29600 Series A, and MIL-C-27599 Electrical, Circular Connectors
MS27488	-	Plug, End Seal, Electrical Connector

(See supplement 1 for list of specifications sheets.)

(Copies of these documents are available online at <http://assist.daps.mil/quicksearch/> or <http://www.dodssp.daps.mil.daps.mil> or from the Standardization Document Order Desk, 700 Robbins Avenue, Building 4D, Philadelphia, PA 19111-5094.)

2.3 Non-Government publications. The following documents form a part of this document to the extent specified herein. Unless otherwise specified, the issues of these documents are those cited in the solicitation or contract.

## ELECTRONIC INDUSTRIES ASSOCIATION (EIA)

EIA RS-359	-	Colors For Color Identification and Coding EIA Standard
EIA-364	-	Electrical Connector/Socket Test Procedures Including Environment Classifications
EIA-557	-	Statistical Process Control Systems

(Copies of these documents are available at <http://global.ihs.com> or Global Engineering Documents, 15 Inverness Way East, Englewood, CO 80112.)

## INTERNATIONAL STANDARDS ORGANIZATIONS (ISO)

## MIL-DTL-83538B

- ISO/R68-1973 - ISO-Basic Profile for Triangular Screw Threads, .25 to 5 mm  
 ISO/R261-1973 - ISO-Metric Screw Threads, General Plan, .25 to 300 mm  
 ISO/R262-1973 - ISO-Metric Screw Threads for Screws, Bolts, and Nuts, 6 to 39 mm
- ISO/R965-1973, Part 1- ISO General Purpose Metric Screw Threads, Tolerances, Principals and Basic Data  
 ISO/R965-1973, Part 2- ISO General Purpose Metric Screw Threads, Tolerances, Limits of Sizes for Medium Quality Commercial Bolt And Nut Threads 1.6 to 39 mm  
 ISO/R965-1973, Part 3- ISO General Purpose Metric Screw Treads, Tolerances and Deviations for Constructional Threads, Tolerances 1.6 to 355 mm  
 ISO-10012-1 - Quality Assurance Requirements for Measuring Equipment

(Copies of these documents are available at <http://www.iso.ch> or International Organization for Standardization American National Standards Institute, 11 West 42<sup>nd</sup> Street, 13<sup>th</sup> Floor, New York, NY 10036.)

## ASTM INTERNATIONAL

- ASTM B488 - Standard Specification for Electrodeposited Coatings of Gold for Engineering Uses.

(Copies of these documents are available at <http://www.astm.org> or ASTM International, 100 Barr Harbor Drive, PO Box C700, West Conshohocken, Pennsylvania 19428-2959.)

## SAE INTERNATIONAL

- SAE-AS3582 - Packing, Preformed, O-Ring Seal AMS 3304  
 SAE-AS85049 - Connector Accessories, Electrical, General Specification for  
 SAE-AS85049/19- Connector Accessories, Electrical, Backshell, Nonenvironmental, Straight, RFI/EMI, Category 3B (For MIL-C-38999 Series III And IV Connectors)  
 SAE-AS85049/80- Connector Accessories, Electrical, Dummy Contact, Sizes 12 and 8, Category 7 (MIL-C-38999 Connectors)  
 SAE-AS90376 - Cap, Dust, Plastic, Electric Connector

(Copies of these documents are available at <http://www.sae.org> or SAE International, 400 Commonwealth Drive, Warrendale, PA 15096-001.)

2.4 Order of precedence. In the event of a conflict between the text of this document and the references cited herein (except for related specification sheets) the text of this document takes precedence. Nothing in this document, however, supersedes applicable laws and regulations unless a specific exemption has been obtained.

## 3. REQUIREMENTS

3.1 Specification sheets. The individual item requirements shall be as specified herein and in accordance with the applicable specification sheet. In the event of any conflict between the requirements of this specification and the specification sheet, the latter shall govern.

3.2 Qualification. Connectors furnished under this specification shall be products that are authorized by the qualifying activity for listing on the applicable qualified product list before contract award (see 4.4 and 6.3).

## MIL-DTL-83538B

3.2.1 Reliability. The contractors reliability program for assembled connectors and assembly procedures shall meet the requirements of MIL-STD-790 with the exception that the failure reporting period shall be 12 months in lieu of 6 months.

3.2.2 Quality.

3.2.2.1 Statistical process control (SPC). The contractor shall implement and use SPC techniques in the manufacturing process for parts covered by this specification. The SPC program shall be developed and maintained in accordance with EIA-557. The SPC program shall be documented and maintained as part of the overall reliability assurance program as specified in MIL-STD-790.

3.3 Materials.

3.3.1 Recycled, recovered, or environmentally preferable materials. Recycled, recovered, or environmentally preferable materials should be used to the maximum extent possible, provided that the material meets or exceeds the operational and maintenance requirements, and promotes economically advantageous life cycle costs.

3.3.2 Environmental safety. Highly toxic or carcinogenic materials shall not be used in the fabrication or maintenance of the connector assembly.

3.3.3 Metals. Metals shall be of a corrosion-resistant type or shall be plated or treated to resist corrosion.

3.3.3.1 Dissimilar metals and compatible couples. When dissimilar metals are used in intimate contact with each other, protection against galvanic corrosion shall be provided. The use of dissimilar metals in contact, which tend toward active galvanic corrosion (particularly brass, copper, or steel used in contact with aluminum or aluminum alloy) is not acceptable. However, metal plating of dissimilar base metals to provide similar or suitable abutting surfaces is permitted. The use of dissimilar metals separated by a suitable insulating material is also permitted. Dissimilar metals and compatible couples are defined in MIL-STD-889.

3.3.4 Components. Materials for specific components of the connector shall be as follows:

- a. Shell: Corrosion-resistant steel.
- b. Coupling ring: Corrosion-resistant steel.
- c. Insert: Reinforced epoxy resin or other suitable rigid dielectric.
- d. Spring fingers: Heat-treated beryllium copper or corrosion-resistant steel.
- e. Filler compound: RTV silicone in accordance with MIL-A-46146, or equivalent.
- f. Gasket, grommet, and interfacial seal: fluorosilicone.
- g. Buffer dust cap: Non-metallic.

3.3.5 Fungus resistant. Materials used in the construction of these connectors shall be fungus inert (see 4.3.2).

3.3.6 Magnetic permeability. The relative permeability of the wired, assembled, and fully mated connector assembly shall be less than 2.0 when measured in accordance with 4.7.34.

3.4 Design and construction. Connectors and accessories shall be designed and constructed to withstand normal handling incident to installation and maintenance in service.

## MIL-DTL-83538B

3.4.1 Human performance/human engineering. The connector assembly design shall be directed toward simplicity and error-free ease of installation and maintenance. The requirements of MIL-STD-1472 shall be met, as appropriate, with emphasis on areas including personnel safety, component marking, and component alignment and keying for blind mate operations. The design of the buffer plug shall be such that the buffer plug can be installed on the launcher receptacle using MIL-DTL-83538/12 tool as an assembly aid by personnel wearing nuclear/biological/chemical warfare protective clothing (specifically, gloves or arctic gloves).

3.4.2 Contacts. Contacts used in this connector shall be standard crimp contacts qualified to MIL-C-39029. The twinaxial socket contacts shall be in accordance with MIL-C-39029/91. The high bandwidth 1 coaxial socket contacts shall be in accordance with MIL-C-39029/103. The high bandwidths 2, 3 and 4 coaxial socket contacts shall be in accordance with MIL-C-39029/75. The power and discrete socket contacts shall be in accordance with MIL-C-39029/56. The buffer plug shall contain a full set of nonremovable contacts. Unless otherwise specified, each receptacle shall contain a full complement of contacts with each connector unit package (see 1.2.1).

3.4.2.1 Contact arrangement. The contact arrangement shall comply with the 25-20 arrangement of MIL-STD-1560. The engaging end of the pin contact in assembled connectors shall be located within 0.61 mm (.024 inch) diameter of true position and the engaging end of socket contacts in assembled connectors shall be located within 0.38 mm (.015 inch) diameter of true position. Test voltages for service ratings shall be in accordance with table X.

3.4.2.2 Installing and removal tools. Both the MIL-I-81969/8 and the MIL-I-81969/14 tools shall properly assemble and disassemble the socket contacts into their connector inserts. If the connectors are to be supplied with contacts, then one MIL-I-81969/14 tool for each contact size shall also be supplied in the unit package. If the connectors are to be supplied without contacts, then no tools shall be supplied in the unit package. For indirect shipments, connectors may be ordered without installing and removal tools (see 6.2).

3.4.3 Insert design. The insert and wire sealing or wire supporting member of the connector shall be designed to provide suitable sealing and support around the wires installed in the connector. The design shall permit the removal and replacement of individual contacts into the launcher receptacle and store receptacle insert with the tools defined in 3.4.2.2. Individual contacts in the buffer plug are not removable. The contact locking device shall be sufficient to meet the contact retention requirements of 3.18. Inserts shall be secured in the connector shell to prevent rotation or axial movement.

#### 3.4.4 Sealing.

3.4.4.1 Wire sealing. Assemblies shall be designed to meet the environmental requirements of this specification using wire outer diameter within the applicable range as shown in table I.

TABLE I. Wire sizes and diameters.

Contact Size	Wire size (AWG)	Finished wire outside dimensions			
		Minimum		Maximum	
		mm	Inches	mm	Inches
20	24, 22, 20	1.02	.040	2.11	.083
16	20, 18, 16	1.65	.065	2.77	.109
12 coaxial	14, 12	2.46	.097	3.61	.142
8 twinaxial	M17/176-00002	3.15	.124	3.40	.134

## MIL-DTL-83538B

3.4.4.2 Sealing plugs. Store receptacles shall be designed to accept sealing plugs in accordance with MS27488 in lieu of wire where unwired contacts are employed. Sealing plugs in accordance with SAE-AS85049/80 for coaxial, triaxial, or concentric twinaxial contact locations may be used to eliminate requiring the installation of an unwired contact in the launcher receptacle or store receptacle. These sealing plugs, when installed in the receptacles, shall not preclude the mating of a buffer plug that is fully populated with pin contacts. Unless otherwise specified in the purchase order, no sealing plugs shall be enclosed with the receptacle package.

3.4.4.3 Mating seal. Connectors with pin inserts shall have a resilient face with individual pin barriers (see figure 2). The pin barrier projections shall seal in their respective lead-in chambers of the hard face socket insert. The resilient interfacial seal shall provide individual contact seals in the mated condition to ensure circuit isolation between each contact and contact to shell. The receptacles shall be provided with a peripheral seal.

3.4.5 Shell. The store receptacle design shall allow mounting of the receptacle flush with the store outer skin. Shells, including mounting flanges, shall be of one-piece construction and shall be designed to retain their inserts in one position, both axially and with respect to rotation, by mechanical means. Adhesive may be used as a supplementary retention means for environmental resisting connectors. Each receptacle connector shall have at least one blue color band in accordance with EIA RS-359, indicating a rear release contact retention system. The blue color band shall be located so that it is readily visible to any person servicing a mounted connector.

3.4.5.1 Shell spring fingers. Spring fingers shall be designed to make electrical contact with the mating shell without interfering with proper engagement. The springs shall be retained about the shell periphery.

3.4.5.2 Jam-nut mounting receptacles. Jam-nut mounting receptacles shall be provided with a mounting nut, MIL-DTL-83538/6, with provisions for locking, and an O-ring (SAE-AS3582).

3.4.5.3 Weight. The launcher receptacle shall not exceed 185 grams max. The buffer plug shall not exceed 80 grams max. The store receptacle shall not exceed 185 grams max. These weights include mounting provisions but do not include accessory hardware (such as cable clamps) and do not include the launcher receptacle engagement/disengagement mechanism.

3.4.6 Screw threads. Screw threads shall conform to ISO/R68-1973, ISO/R261-1973, ISO/R262-1973, and ISO/R965-1973, as applicable. Threads shall be checked using ring or plug gauges. Slight out-of-roundness beyond the specified tolerances is acceptable if threads can accept the gauges without forcing.

3.4.7 Installation. The launcher receptacle and associated buffer plug are designed for installation in an engagement/disengagement mechanism in the launcher. This mechanism provides the engagement and retraction forces for mating and unmating the connector assembly. The connector assembly (see figure 1) shall comply with the alignment requirements herein during and after exposure to any logical combination of environment requirements defined herein.

3.4.7.1 Alignment provisions. The launcher receptacle/buffer plug assembly and store receptacle shall include self-alignment provisions. The interface between the launcher receptacle connector and the buffer plug shall be scoop-proof and keyed.

3.4.7.2 Applied holding force. The force required to maintain sufficient mating of the combined launcher receptacle/buffer plug assembly and store receptacle for complying with the requirements herein shall be 289 newtons (65 pounds)  $\pm 10\%$ .

## MIL-DTL-83538B

3.4.8 Cavity fill. If the rear grommet design does not allow for intimate contact between it and the complete inner perimeter of the shell, any resulting cavity between the insert and the shell shall be filled with RTV silicone conforming to MIL-A-46146, or equivalent.

3.4.9 Plating.

3.4.9.1 Contacts (buffer plug unit). Contacts shall be gold-plated to a minimum thickness of 0.00127 mm (.000050 inch) in accordance with ASTM B488 over a suitable underplate. Silver underplate shall not be used.

3.4.9.1.1 Contacts (crimp). The plating and plating thickness on crimp contacts shall be as specified in MIL-C-39029.

3.4.9.2 Shell spring fingers. Shell spring fingers shall be suitably protected to prevent corrosion.

3.4.9.3 Shell components – launcher receptacle – store receptacle – buffer plug. Shell components shall be nickel plated (electrodeposited nickel) in accordance with SAE-AMS-QQ-N-290.

3.5 Interchangeability. All major components (launcher receptacle, store receptacle, buffer plug unit, accessories and contacts) of the connector assembly having the same PIN shall be completely interchangeable with each other with respect to installation and performance.

3.6 Maintenance aging. When tested as specified in 4.7.2, the contact installing and removal forces shall not exceed the requirements of table II.

3.7 Temperature cycling. When tested as specified in 4.7.3, there shall be no blistering, peeling, or separation of plating or other damage detrimental to the operation of the connector. The test temperatures shall be -65°C minimum to +175°C maximum.

TABLE II. Installing and removal forces.

Contact size	Installing and removal forces (maximum)	
	<u>Newtons</u>	<u>Pounds</u>
20	89	20
16	89	20
12	133	30
8 Triaxial	156	35

3.8 Coupling.

3.8.1 Coupling torque of bayonet coupled components. When tested as specified in 4.7.4.1, the coupling torque for mating and unmating of the launcher receptacle from the buffer plug and protective covers from launcher receptacle shall be 4.1 newton-meters (3 ft-lb) maximum and shall be not less than 0.6 newton-meters (.5 ft-lb) for unmating. The torque for mating and unmating the protective cover from the store receptacle shall be 1.5 newton-meters (1.2 ft-lb) maximum and shall be not less than 0.3 newton-meters (.25 ft-lb) for unmating.

3.8.2 Coupling force. When tested as specified in 4.7.4.2, the coupling force for mating and unmating the combined launcher receptacle/buffer plug assembly from the store receptacle shall not exceed 334 newtons (75 pounds). These forces do not apply under the ice and freezing rain conditions as specified in 3.35.



## MIL-DTL-83538B

3.8.3 Decoupling. When tested as specified in 4.7.4.3, full physical separation shall be achieved with the application of a 320 newton force (72 pounds) along the Z axis  $\pm 10^\circ$  (see figure 3). During this decoupling, the buffer plug shall remain attached to the launcher receptacle.

3.8.4 Self-alignment. When tested as specified in 4.7.4.4, the self-alignment provisions between the launcher receptacle/buffer plug assembly and the store receptacle shall be such that these assemblies will mate even if they are simultaneously initially misaligned by the following (see figure 3 for axis and angle definitions):

X axis:  $\pm 2.03$  mm (.08 inch)

Y axis:  $\pm 2.03$  mm (.08 inch)

Angle a:  $\pm 3^\circ$

Angle b:  $\pm 3^\circ$

Angle c:  $\pm 3^\circ$

3.8.5 Holding force. When tested in accordance with 4.7.37, the launcher receptacle, buffer plug, and store receptacle shall be capable of withstanding a holding force of 578 newtons (130 pounds) maximum, without damage that will impair normal operation of the connectors.

3.9 Durability. When tested as specified in 4.7.5, the launcher receptacle and store receptacle shall comply with the performance requirements herein after 500 mating and unmating cycles, at each mating interface.

3.10 Altitude immersion (qualification only). When tested as specified in 4.7.6, the mated connector pair shall have a minimum insulation resistance as specified in 3.11.1 and dielectric withstanding voltage as specified in 3.12.

3.11 Insulation resistance.

3.11.1 Insulation resistance at ambient temperature. When tested as specified in 4.7.7.1, the insulation resistance between any pair of contacts and between any contact and the shell shall be greater than 5,000 megohms. Insulation resistance after altitude immersion shall be 1,000 megohms minimum. Insulation resistance after humidity shall be 100 megohms minimum.

3.11.2 Insulation resistance at elevated temperature. When tested as specified in 4.7.7.2, the insulation resistance between any pair of contacts and between any contact and the shell shall be greater than 1,000 megohms.

3.12 Dielectric withstanding voltage(at sea level/altitude). When tested as specified in 4.7.8.1 or 4.7.8.2, the maximum leakage current shall be 2 milliamperes, and there shall be no evidence of electric breakdown or flashover.

3.13 Insert retention. When tested as specified in 4.7.9, unmated connectors shall retain their inserts in their proper location in the shell and there shall be no evidence of cracking, breaking, separation from the shell, or loosening of parts.

3.14 Salt spray (corrosion). When tested as specified in 4.7.10, unmated connectors shall show no exposure of basis material due to corrosion which will adversely affect performance.

3.15 Electrical engagement. When tested as specified in 4.7.11, wired, mated connectors shall provide a minimum of 1.27 mm (.050 inch) electrical engagement.

## MIL-DTL-83538B

3.16 Gauge location. Using test gauges as specified on figure 4, the axial location of contacts shall be measured as specified in 4.7.12. Gauge location measurements shall fall within the range specified (see 3.1).

3.17 Gauge retention. When tested as specified in 4.7.13, the test gauges as specified on figure 5 shall be retained in the contact cavities and the axial displacement of the test gauges while under load shall not exceed 0.30 mm (.012 inch).

3.18 Contact retention. When tested as specified in 4.7.14, the axial displacement of the contact shall not exceed 0.30 mm (.012 inch). No damage to contacts or inserts shall result.

3.19 Altitude (low temperature). When tested as specified in 4.7.15, the connector shall meet the requirements of dielectric withstanding voltage at sea level specified in 3.12 and insulation resistance at ambient temperature specified in 3.11.

3.20 Accessory thread strength. When tested as specified in 4.7.16, the launcher receptacle and store receptacle shall be capable of withstanding a torque of  $28.3 \pm 2.8$  newton-meters ( $20 \pm 2$  ft-lb).

3.21 Vibration (qualification only). When tested as specified in 4.7.17, there shall be no electrical discontinuity and there shall be no disengagement of the mated connectors, backing off of the coupling mechanism, evidence of cracking, breaking, or loosening of parts.

3.22 Shock. When tested as specified in 4.7.18, there shall be no electrical discontinuity and there shall be no disengagement of the mated connectors, evidence of cracking, breaking, or loosening of parts.

3.23 Shell-to-shell conductivity. When tested as specified in 4.7.19, the resistance from launcher receptacle shell to the buffer plug of a mated launcher receptacle/buffer plug assembly shall not exceed 2.5 milliohms. The resistance from the launcher receptacle rear threads or the nearest accessible point to the store receptacle rear threads shall not exceed 8 milliohms. After conditioning (salt spray and coupling torque) the above values may increase 100 percent.

3.24 Humidity. When tested as specified in 4.7.20, wired, mated connectors shall show no deterioration which will adversely affect performance of the connector. Following the test, and during the final cycle, insulation resistance shall be 100 megohms or greater.

3.25 Shell spring finger forces. When tested as specified in 4.7.21, the forces necessary to engage and separate plugs with receptacle shells shall be within the axial force of 2 newtons (.5 pound) minimum, and 156 newtons (35 pounds) maximum.

3.26 EMI shielding. When tested as specified in 4.7.22, the EMI shielding capabilities of mated shells shall be not less than that specified in table III at the specified frequencies.

## MIL-DTL-83538B

TABLE III. EMI shielding effectiveness.

Frequency MHz	Leakage attenuation (dB) minimum
0.2 to 100	90
200	88
300	88
400	87
800	85
1,000	85
1,500	76
2,000	70
3,000	69
4,000	68
6,000	66
10,000	65

3.27 Insertion loss. This test is only applicable when the /3 buffer is part of the set under test. When tested as specified in 4.7.23, the mated connector shall comply with the applicable contact resistance requirements of MIL-C-39029 for all contacts except the total allowed resistance though the combined mated triplet of launcher receptacle with buffer plug, and store receptacle with buffer plug shall not exceed 1.5 times the limit of MIL-C-39029 for the applicable size contacts. In addition, the coaxial contacts for the high bandwidth signals shall provide a maximum attenuation of:

High bandwidth 1, referenced to 50 ohms:

20 Hz to 20 MHz measured insertion loss shall not exceed 0.20 dB.  
 20 MHz to 500 MHz measured insertion loss shall not exceed 0.12 dB.  
 500 MHz to 2 GHz the measured insertion loss shall not exceed  
 $0.11 \text{ dB} \times \sqrt{F}$ , where F is the test frequency in GHz.

3.28 Voltage standing wave ratio. This test is only applicable when the /3 buffer is part of the set under test. When tested as specified in 4.7.24, the mated connector sets shall provide a maximum voltage standing wave ratio of 1.75 for the high bandwidth signals over the frequency range of:

20 Hz to 2 GHz for high bandwidth 1 referenced to 50 ohms.

3.29 Ozone. When tested as specified in 4.7.25, the connectors shall show no evidence of cracking of dielectric material or other damage due to ozone exposure that will adversely affect performance.

3.30 Fluid immersion. When tested as specified in 4.7.26, connectors shall meet the requirements for coupling torque (see 3.8) and dielectric withstanding voltage (see 3.12).

3.30.1 Retention system fluid immersion. When tested as specified in 4.7.27, the insert assemblies shall meet the requirements of contact retention (see 3.18). Effects of the fluids on resilient sealing members shall not be a consideration of this test.

3.31 Contact walkout. When tested as specified in 4.7.28, contacts shall not become dislodged from their normal position.

## MIL-DTL-83538B

3.32 Installing/removal tool abuse (qualification only). When tested as specified in 4.7.29, there shall be no evidence of damage to the contacts, the connector insert, or the contact retaining mechanism.

3.33 High temperature exposure (see 4.7.30).

3.33.1 High temperature exposure with contact loading. When tested as specified in 4.7.30.1, the contacts shall maintain their specified locations as shown (see 3.1) and there shall be no electrical discontinuity.

3.33.2 High temperature exposure. When tested as specified in 4.7.30.2 for 1,000 hours, connectors shall perform satisfactorily and pass succeeding tests in the qualification test sequence.

3.34 Electrolytic erosion. When tested as specified in 4.7.31, pin contacts shall show no exposure of base metal due to electrolytic erosion. Corrosion deposits shall not be considered as defects.

3.35 Icing and freezing rain. When tested as specified in 4.7.32, the connector assembly shall withstand the icing and freezing rain environment (sea spray condition) specified in 4.7.32. The force required to separate the connector shall not exceed 333 newtons (75 pounds).

3.36 Sand and dust. When tested as specified in 4.7.33, the connector assembly shall withstand the blowing dust and blowing sand conditions of MIL-STD-810, method 510. Blowing dust air velocity shall be 8.9 meters/second minimum. The blowing sand air velocity shall be 29 meters/second minimum with a sand concentration of  $2.2 \pm 0.5$  grams/cubic meter. Immediately following this exposure, the coupling force and decoupling force shall not exceed the requirements specified herein (see 3.8.2 and 3.8.3) by more than 25 percent.

3.37 Launcher drive pin strength (/4 only). When tested as specified in 4.7.36, the launcher drive pins shall show no evidence of permanent deformation or damage such as would impair the operation of the connector or launcher mechanism.

3.38 Lightening strike (see 4.7.38). The connector set shall show no damage or degradation in performance, including seizing, pitting, or damage to the insulation of the connector when subjected to the lightning strike requirements specified in 4.7.38. Connectors shall be mated and unmated in accordance with the requirements of 3.8.1 and 3.8.3 without recourse to tools, except for MIL-DTL-83538/12. Failure to unmate the connectors because they have welded together shall constitute a test failure.

3.39 Contact location identification. Contact locations shall be identified as indicated on the applicable military standard. All positions shall be identified on the front and rear faces of the insert except where space limitations make this impracticable. Location of contact identifying characters shall be in close proximity to the holes but need not be placed exactly where indicated on the standard. The preferred color of the contact identifying character is white. When the background is a color against which white is difficult to distinguish, a color will be chosen for which the identifying character can be easily distinguished.

3.39.1 JAN and J marking. The United States Government has adopted and is exercising legitimate control over the certification marks "JAN" and "J", respectively, to indicate that items so marked or identified are manufactured to, and meet all the requirements of specifications. Accordingly, items acquired to, and meeting all of the criteria specified herein and in applicable specifications shall bear the certification mark "JAN" except that items too small to bear the certification mark "JAN" shall bear the letter "J". The "JAN" or "J" shall be placed immediately before the PIN except that if such location would place a hardship on the manufacturer in connection with such marking, the "JAN" or "J" may be located on the first line above or below the PIN. Items furnished under contracts or orders which either permit or require deviation from the conditions or requirements specified herein or in applicable specifications shall not bear "JAN" or "J". In the event an item fails to meet the requirements of this specification and the

## MIL-DTL-83538B

applicable specification sheets, the manufacturer shall remove completely the military PIN and the "JAN" or the "J" from the sample tested and also from all items represented by the sample. The "JAN" or "J" certification mark shall not be used on products acquired to contractor drawings or specification. The United States Government has obtained Certificate of Registration Number 504,860 for the certification mark "JAN" and Registration Number 1,586,261 for the certification mark "J".

3.40 Dust caps. Dust caps in accordance with MIL-DTL-83538/12 shall be placed over the coupling ring of buffer plugs. Dust caps in accordance with SAE-AS90376 shall be placed over all other mating connector faces.

3.41 Workmanship. The connector assembly and associated components shall be fabricated in a manner such that the criteria for appearance, fit and adherence to specified tolerances are observed. Particular attention shall be given to neatness and thoroughness of marking parts, plating, welding, soldering, reviting, staking, and bonding. The connector components shall be free from crazing, cracks, knit-lines, flow-lines, voids, pimples, chips, blisters, pinholes, sharp cutting edges, burrs, and other defects that will adversely affect life, serviceability, or appearance.

#### 4. VERIFICATION

4.1 Classification of inspections. The inspection requirements specified herein are classified as follows:

- a. Qualification inspection (see 4.4).
- b. Conformance inspection (see 4.5).

4.2 Inspection conditions. Unless otherwise specified herein, all inspections shall be performed in accordance with the test conditions specified in the "GENERAL REQUIREMENTS" of EIA-364.

4.3 Test equipment and inspection facilities. Test and measuring equipment and inspection facilities of sufficient accuracy, quality, and quantity to permit performance of the required inspections shall be established and maintained by the contractor. The establishment and maintenance of a calibration system to control the accuracy of the measuring and test equipment shall be in accordance with ISO-10012-1 or equivalent system.

4.3.1 Reliability assurance program. A reliability assurance program shall be established and maintained in accordance with MIL-STD-790. Evidence of such compliance shall be verified by the qualifying activity of this specification as a prerequisite for qualification and continued qualification.

4.3.1.1 Statistical process control (SPC). A SPC program shall be established and maintained in accordance with EIA-557. Evidence of such compliance shall be verified by the qualifying activity as a prerequisite for qualification and retention of qualification.

4.3.2 Fungus resistance certification. Certification of method 508.4 of MIL-STD-810 is required (see 3.3.5).

4.4 Qualification inspection. Qualification inspection shall be performed at a laboratory acceptable to the Government (see 6.3) on sample units produced with equipment and procedures normally used in production. Qualification approval may be granted upon successful completion of the inspections and tests of 4.4.3 conducted on samples of 4.4.1; such approval to include classes, finishes, shell configurations, and insert arrangements other than those actually tested providing that the capability to manufacture these parts is demonstrated by providing exhibit samples.

4.4.1 Preparation of samples. Except as otherwise specified for shielded contacts, wiring of crimp-type contacts shall be accomplished using tools in accordance with MIL-DTL-22520, class I. The length of stripped portion of conductor shall be at least long enough to reach the bottom of the crimp barrel, but

## MIL-DTL-83538B

shall not be so long that more than 0.79 mm (.031 inch) of conductor is exposed at end of the barrel when conductor end touches bottom of barrel. Samples provided as specified in 4.4.1 shall be wired with wire having a smooth extruded jacket of waterproof construction. Two samples shall have wires as listed for maximum diameter and the other two samples shall have wires as listed for minimum diameter in table IV. Two power contact cavities of each sample provided shall contain unwired contacts and contain sealing plugs in accordance with MS27488.

TABLE IV. Test wire sizes.

Contact size	Maximum diameter	Minimum diameter
20	M22759/7-20	M22759/18, /19, /32, /33 -22
		M22759/44, /45, /46 -22
	M22759/8-20	M22759/11, /12, /13, /14 -24
		M22759/22, /23
16	M22759/3, /4, /7, or /8 -16	M22759/18, /19, /32, M22759/44, /45 -16
12 coaxial/shielded	M17/94-RG179	M17/94-RG179
	M17/113-RG316	M17/113-R316
8 twinaxial	M17/176-00002	M17/176-00002

4.4.2 Sample size. The following test samples, manufactured by normal production methods, shall be provided. Tested and untested connectors, accessories and materials may be required at no cost to the Government for qualification verification by the responsible qualification activity (see 6.3).

- a. Each test group (except groups 4 and 5) in table V shall consist of four mating sets of the combined launcher receptacle/buffer plug and store receptacle. When qualifying the /11 buffer adapter, two of the 4 sets shall include launcher receptacle/buffer plug and store receptacle. Connectors shall be fitted with SAE-AS85049 straight strain relief accessories. Where buffer adapter connectors (/11) are used, the mating store receptacle shall be of the AIM-120 receptacle style or the test fixture as specified in 4.7.1.2, which mates with the store end of the adapter. Any failure of this connector or the test fixture shall not be considered a failure of MIL-DTL-83538 parts.
- b. Test group 4 in table V shall consist of 11 mating sets of the combined launcher receptacle /buffer plug and store receptacle. The /11 buffer adapter is not included in these tests.
- c. Test group 5 in table V shall consist of 10 receptacles.
- d. Each test group (except groups 4 and 5) in table V shall consist of two mating sets of the combined launcher receptacle/buffer plug and store receptacle. When qualifying the /11 buffer adapter, one of the 2 sets shall include launcher receptacle/buffer plug and store receptacle. Connectors shall be fitted with SAE-AS85049 straight strain relief accessories. Where buffer adapter connectors (/11) are used, the mating store receptacle shall be of the AIM-120 receptacle style or the test fixture a specified in 4.7.1.2, which mate with the store end of the adapter. Any failure to this connector or of the test fixture, shall not be considered a failure of MIL-DTL-83538 parts.

4.4.3 Test routine. Samples provided in accordance with 4.4.2 shall be subjected to each test group in table V in the order shown.

4.4.3.1 Failures. One or more failures shall be cause for refusal to grant qualification.

## MIL-DTL-83538B

TABLE V. Qualification and group C periodic test.

Inspection	Requirement paragraph	Test method paragraph
<u>Group 1</u>		
Visual and mechanical examination	1.1.1, 3.1, 3.3, 3.4, 3.5, 3.41	4.7.1
Magnetic permeability	3.3.6	4.7.34
Self-alignment	3.8.4	4.7.4.4
Maintenance aging <u>1/</u>	3.6	4.7.2
Temperature cycling	3.7	4.7.3
Coupling torque of bayonet coupled components	3.8.1	4.7.4.1
Durability	3.9	4.7.5
Altitude immersion <u>2/</u>	3.10	4.7.6
Insulation resistance at ambient temperature	3.11.1	4.7.7.1
Dielectric withstanding voltage (at sea level)	3.12	4.7.8.1
Insert retention	3.13	4.7.9
Shell-to-shell conductivity	3.23	4.7.19
Salt spray (corrosion)	3.14	4.7.10
Coupling force	3.8.2	4.7.4.2
Shell-to-shell conductivity	3.23	4.7.19
Decoupling	3.8.3	4.7.4.3
Electrical engagement <u>3/</u>	3.15	4.7.11
Post test examination	1.1.1, 3.41	4.7.35
<u>Group 2</u>		
Visual and mechanical examination	1.1.1, 3.1, 3.3, 3.4, 3.5, 3.41	4.7.1
Gauge location	3.16	4.7.12
Gauge retention <u>1/</u>	3.17	4.7.13
Maintenance aging <u>1/</u>	3.6	4.7.2
Contact retention	3.18	4.7.14
Altitude (low temperature)	3.19	4.7.15
Insulation resistance at ambient temperature	3.11.1	4.7.7.1
Dielectric withstanding voltage (at sea level)	3.12	4.7.8.1
Temperature cycling	3.7	4.7.3
Coupling torque of bayonet coupled components	3.8.1	4.7.4.1
Insulation resistance at elevated temperature	3.11.2	4.7.7.2
Dielectric withstanding voltage (at sea level)	3.12	4.7.8.1
Dielectric withstanding voltage at altitude	3.12	4.7.8.2
Durability	3.9	4.7.5
Accessory thread strength	3.20	4.7.16
Vibration <u>2/ 4/</u>	3.21	4.7.17
Shock	3.22	4.7.18
Shell-to-shell conductivity	3.23	4.7.19
High temperature exposure <u>2/</u>	3.33	4.7.30
Humidity	3.24	4.7.20
Insulation resistance at ambient temperature	3.11.1	4.7.7.1
Dielectric withstanding voltage (at sea level)	3.12	4.7.8.1
Contact retention <u>2/</u>	3.18	4.7.14
Post test examination	1.1.1, 3.41	4.7.35

See footnotes at end of table.

## MIL-DTL-83538B

TABLE V. Qualification and group C periodic test - Continued.

Inspection	Requirement paragraph	Test method paragraph
<u>Group 3</u>		
Visual and mechanical examination	1.1.1, 3.1, 3.3, 3.4, 3.5, 3.41	4.7.1
Durability	3.9	4.7.5
Shell spring finger forces	3.25	4.7.21
Shell-to-shell conductivity	3.23	4.7.19
Salt spray (corrosion)	3.14	4.7.10
Launcher drive pin strength	3.37	4.7.36
Holding force	3.8.5	4.7.37
Insertion loss	3.27	4.7.23
Voltage standing wave ratio <u>5/</u>	3.28	4.7.24
Shell-to-shell conductivity	3.23	4.7.19
EMI shielding <u>5/</u>	3.26	4.7.22
Post test examination	1.1.1, 3.41	4.7.35
<u>Group 4</u>		
Visual and mechanical examination	1.1.1, 3.1, 3.3, 3.4, 3.5, 3.41	4.7.1
Ozone exposure	3.29	4.7.25
Insulation resistance at ambient temperature	3.11.1	4.7.7.1
Dielectric withstanding voltage (at sea level)	3.12	4.7.8.1
Fluid immersion	3.30	4.7.26
Dielectric withstanding voltage (at sea level)	3.12	4.7.8.1
Coupling torque of bayonet coupled component	3.8.1	4.7.4.1
Post test examination	1.1.1, 3.41	4.7.35
<u>Group 5</u>		
Visual and mechanical examination	1.1.1, 3.1, 3.3, 3.4, 3.5, 3.41	4.7.1
Retention system fluid immersion	3.30.1	4.7.27
Contact retention	3.18	4.7.14
Post test examination	1.1.1, 3.41	4.7.35
<u>Group 6</u>		
Visual and mechanical examination	1.1.1, 3.1, 3.3, 3.4, 3.5, 3.41	4.7.1
Contact walkout	3.31	4.7.28
Installing/removal tool abuse <u>2/</u>	3.32	4.7.29
High temperature exposure with contact loading	3.33.1	4.7.30.1
Insert retention	3.13	4.7.9
Post test examination	1.1.1, 3.41	4.7.35

See footnotes at end of table.



## MIL-DTL-83538B

TABLE V. Qualification and group C periodic test – Continued.

Inspection	Requirement paragraph	Test method paragraph
<b>Group 8</b> <u>2/</u>		
Visual and mechanical examination	1.1.1, 3.1, 3.3, 3.4, 3.5, 3.41	4.7.1
Ice and freezing rain	3.35	4.7.32
Sand and dust	3.36	4.7.33
Coupling torque of bayonet coupled component	3.8.1	4.7.4.1
Post test examination	1.1.1, 3.41	4.7.35
<b>Group 9</b>		
Visual and mechanical examination	1.1.1, 3.1, 3.3, 3.4 3.5, 3.41	4.7.1
Durability	3.9	4.7.5
Salt spray (corrosion)	3.14	4.7.10
Lightening strike	3.38	4.7.38
Shell to shell conductivity	3.23	4.7.19
Decoupling	3.8.3	4.7.4.3
Coupling torque of bayonet coupled components	3.8.1	4.7.4.1
Dielectric withstanding voltage at sea level	3.12	4.7.8.1
Post test examination	1.1.1, 3.41	4.7.35

1/ Receptacles (sockets) only.

2/ Qualification only.

3/ Test on /11 store interface for information only.

4/ One launcher receptacle from a set to be fitted with /8 cover for the duration of the vibration test.

5/ Not connector sets incorporating /11 buffer.

4.4.4 Retention of qualification. To retain qualification, the contractor shall forward a report at least every 12 months to the qualifying activity. The qualifying activity shall establish the reporting date. The report shall consist of the following:

- a. A summary of the results of the test performed for groups A and B inspection indicating, as a minimum, the number of lots that have passed and the number that have failed. The results of tests of all reworked lots shall be identified and accounted for.
- b. A summary of the results of tests performed for group C inspection including the number and mode of failures. The summary shall include results of all group C inspection tests performed and completed during the reporting period. If the summary of the test results indicates nonconformance with specification requirements, and corrective action acceptable to the qualifying activity has not been taken, action may be taken to remove the failing product from the qualified products list. Failure to submit the report within 30 days after the end of each reporting period may result in loss of qualification for the product. In addition to the periodic submission of inspection data, the contractor shall immediately notify the qualifying activity if at any time during the reporting period that the inspection data indicates failure of the qualified product to meet the requirements of this specification.

In the event that no production occurred during the 12-month reporting period, a report shall be submitted certifying that the company still has capabilities and facilities necessary to produce the item. If during two consecutive reporting periods there has been no production, the manufacturer may be required, at the discretion of the qualifying activity, to submit the products (a representative product of each connector) to testing in accordance with qualification inspection requirements.

## MIL-DTL-83538B

4.5 Conformance inspections.

4.5.1 Group A inspection. Group A inspection shall consist of the visual and mechanical inspections specified in table VI. The documentation requirements of EIA-364 do not apply.

TABLE VI. Group A inspection. 1/

Inspection	Requirement paragraph	Test paragraph
Visual inspection 2/	1.1.1, 3.1, 3.3, 3.4, 3.5, and 3.41	4.5.1.1
Critical examination 2/ 3/	3.1, 3.2.2, and 3.3	4.5.1.1.1
Insulation resistance at ambient temperature 2/ 3/ 4/	3.11.1	4.7.7.1
Dielectric withstanding voltage at sea level 2/ 3/ 4/	3.12	4.7.8.1

1/ Contacts shipped with connectors shall be from lots that have met the requirements of MIL-C-39029.

2/ 100 percent inspection.

3/ The contractor may use in-process controls for this requirement.

4/ Test between adjacent contacts and between two peripheral contacts and the shell.

4.5.1.1 Visual examination (group A inspection). Each connector and accessory shall be visually examined for completeness, workmanship, and identification requirements. Attention shall be given to those assemblies that require a gasket to determine the condition of the gasket. Gaskets missing, twisted, buckled, kinked, or damaged in any way shall be cause for rejection. Each connector shall be visually inspected for the presence of compound between wire termination end of insert and shell.

4.5.1.1.1 Critical examinations (group A inspection). The following dimensions and features shown on the pertinent military standard are considered critical.

- a. Mating diameters (see 3.1) (maximum on plugs, minimum on receptacles).
- b. Key or keyway positions.
- c. Registration of grommet and insert markings (hole pattern between the grommet and the front face of the insert).

4.5.1.2 Group B inspection. Group B inspection shall consist of the inspections specified in table VII in the order shown and shall be made on sample units which have been subjected to and have passed the group A inspection. For group B inspection, the documentation and standard test conditions of EIA-364 do not apply.

4.5.1.2.1 Sampling plan (group B inspection). A sample size shall be randomly selected in accordance with table VIII. If one or more defects are found the lot shall be rescreened and defects removed. A new sample in accordance with table VIII shall then be randomly selected. If one or more defects are found in the second sample the lot shall be rejected and shall not be supplied to this specification.

## MIL-DTL-83538B

4.5.1.2.2 Lot definition (group B inspection). The production lot definition of MIL-STD-790 is further defined as follows:

- a. A production lot consists of all connectors covered under one military specification or standard, manufactured from the specified raw materials, processed under the same specification and procedures, produced by the same type of equipment, and submitted for inspection at one time. Each production lot of assembled connectors shall be a group identified by a common manufacturing record through all significant assembly operations.
- b. Traceability of connectors to specific physical/chemical test reports of incoming raw material is not required.
- c. Common manufacturing records and traceability shall begin with the start of connector assembly.

TABLE VII. Group B inspection.

Inspection	Requirement paragraph	Test paragraph	Number of samples
Visual and mechanical examination <u>1/</u> Shell spring finger forces (receptacles with spring fingers only) <u>1/</u>	1.1.1, 3.1, 3.3, 3.4, 3.5, and 3.41 3.25	4.7.1 4.7.21	See table VIII

1/ The contractor may use in-house controls for this requirement.

TABLE VIII. Sampling plans.

Lot size	Sample size
1 to 13	100 percent
14 to 150	13 units
151 to 280	20 units
281 to 500	29 units
501 to 1,200	34 units
1,201 to 3,200	42 units

4.5.1.2.3 Disposition of sample units. Sample units which have passed all of group B inspections may be delivered on the contract or purchase order if the lot is accepted and the sample units are still within specified tolerances.

4.5.2 Periodic inspection. Periodic inspection shall consist of group C inspection. Except where the results of this inspection show noncompliance with the applicable requirements (see 4.5.2.1.4), delivery of products which have passed groups A and B inspections shall not be delayed pending the results of this periodic inspections.

4.5.2.1 Group C inspection (periodic test). Periodic tests shall be performed on a 12-month and 24-month basis, beginning with the 12-month periodic test, which must be accomplished within this period after notification of qualification and alternating thereafter with the 24-month periodic test. Samples submitted to either of these periodic tests shall have passed groups A and B inspections.

4.5.2.1.1 Twelve-month periodic test. The following tests shall be performed as follows:

- a. On two mating sets of the combined launcher receptacle, buffer plug and the store receptacle in regular production during that period - Humidity in accordance with 4.7.20.

## MIL-DTL-83538B

- b. On two mating sets of the combined launcher receptacle, buffer plug and store receptacle - high temperature exposure with contact loading in accordance with 4.7.30.1, except that the time period shall be 250 hours.
- c. On two mating sets of the combined launcher receptacle, buffer plug and store receptacle, each set being subjected to each of the specified fluids (see table IX). Fluid immersion shall be in accordance with 4.7.26 except that the fluids shall be:

TABLE IX. Test fluids.

Sample number	Test fluid (test procedure 010 of EIA-364)
1	c
2	d
3	a
4	l
5	e
6	f
7	b
8	k
9	g
10	i

- 1. MIL-T-5624, JP5, sample 7, table IV.
- 2. Hydraulic fluid, sample 4, table IV (M2-V chevron oil, or equivalent).

- d. On one launcher receptacle, buffer plug and store receptacle conduct the salt spray test of 4.7.10.
- e. One mated set of launcher receptacle, buffer plug and store receptacle shall be subjected to the coupling test.

4.5.2.1.2 Twenty-four month periodic tests. Every 24 months, mating connector sample units shall be selected and tested in accordance with the following:

- a. Three mating sets of the combined launcher receptacle, buffer plug and store receptacle shall be provided. One set shall be fully wired with the applicable wire listed in maximum diameter column of table IV and subjected to the applicable tests of table V, group 1. The remaining sample sets shall be fully wired with the applicable wire listed in minimum diameter column of table IV and subjected to the applicable tests of table V, group 2.
- b. On one launcher receptacle, buffer plug and store receptacle conduct the salt spray test of 4.7.10.

4.5.2.1.3 Failures. If one or more sample units fail to pass group C inspection, the sample shall be considered to have failed.

4.5.2.1.4 Noncompliance. If a sample fails to pass group C inspection, the manufacturer shall take corrective action on the materials or processes or both, as warranted, and on all units of product which are to be corrected and which were manufactured with essentially the same materials and processes, and which are considered subject to the same failure. Acceptance and shipment of the product shall be discontinued until corrective action acceptable to the qualifying activity has been taken. After the corrective action has been taken, group C inspection shall be repeated on additional sample units (all inspections, or the inspection which the original sample failed, at the option of the qualifying activity). Groups A and B inspections may be reinstated; however, final acceptance shall be withheld until the

## MIL-DTL-83538B

group C reinspection has shown that corrective action was successful. In the event of failure after reinspection, information concerning the failure shall be furnished to the cognizant inspection activity and the qualifying activity.

4.5.3 Failures of groups A, B, or C. Lots which fail groups A, B, or C and are not resubmitted for testing or failed resubmission shall not be shipped and the "JAN" marking shall be removed within 30 days.

4.6 Inspection of packaging. The sampling and inspection of the preservation, packaging, and container marking shall be in accordance with the requirements of MIL-DTL-55330.

4.7 Methods of inspection.

4.7.1 Visual and mechanical examination. Connectors, accessories, and piece parts shall be visually and mechanically examined to ensure conformance with the specification and the applicable military standards (see 1.1.1, 3.1, 3.3, 3.4, 3.5, and 3.41). The contractor may use in process controls to satisfy these requirements.

4.7.1.1 Test methods. The following identified tests and methods assure connector integrity within typical operating conditions and applications. Alternate commercial industry standard test methods are allowed when determined to provide equivalent results; however when an alternate method is used, the qualifying activity must be notified prior to the performance of the test. The test methods described herein are proven methods and shall be the referee methods in case of dispute.

4.7.1.2 Qualification test fixture for MIL-DTL-83538/11 buffer plug. The MIL-DTL-83538/11 buffer plug shall be subjected to the test methods specified in MIL-DTL-83538 as applicable, using the test fixture described on figure 8, or a suitable mating missile receptacle. A failure of the qualification test fixture, or the mating missile receptacle, does not constitute a failure of the MIL-DTL-83538/11 buffer plug.

4.7.2 Maintenance aging (see 3.6). Connectors shall be tested in accordance with test procedure 024 of EIA-364. The following detail shall apply: Installing/removal tool shall be in accordance with MIL-I-81969/14. A minimum of 20 percent of each contact size of each connector shall be tested. There shall be no lubricant used during this test.

4.7.3 Temperature cycling (see 3.7). Mated connectors shall be subjected to test procedure 032, test condition I, 5 cycles, of EIA-364, except that steps 2 and 4 shall be of 2 minutes maximum duration. The temperature of step 1 shall be  $-65^{\circ}\text{C} +0^{\circ}\text{C}$ ,  $-5^{\circ}\text{C}$ , and the temperature of step 3 shall  $+175^{\circ}\text{C}$ . A suitable fixture, approved by the qualifying activity, shall apply the mating force specified in 3.4.7.2 (see figure 14).

4.7.4 Coupling (see 3.8). Mating connectors shall be coupled and uncoupled. The forces or torques which must be applied to facilitate full coupling and uncoupled shall be measured and recorded.

4.7.4.1 Coupling torque of bayonet coupled component (see 3.8.1). Mating connectors shall be coupled and uncoupled. The torques which must be applied to facilitate full coupling and uncoupling shall be as specified in 3.8.1.

4.7.4.2 Coupling force (see 3.8.2). Mating connectors shall be coupled and uncoupled. The forces which must be applied to facilitate full coupling and uncoupling shall be as specified in 3.8.2.

4.7.4.3 Decoupling (see 3.8.3). Using an appropriate test fixture that can apply up to a 320 newton force, the connector halves shall physically and completely separate after the application of the 320 newton force.

## MIL-DTL-83538B

4.7.4.4 Self-alignment (see 3.8.4). The connector shall be tested for compliance with the alignment provisions of 3.8.4 by mounting the launcher receptacle with attached buffer plug in a floating mount assembly and mounting the store receptacle in an adjustable but fixed mount assembly.

4.7.5 Durability (see 3.9). The wired, assembled launcher receptacles (with buffer plug) and store receptacles shall be mated and unmated 500 cycles at a rate of 300 cycles per hour maximum. The mating and unmating shall be accomplished so that the launcher receptacle/buffer plug and buffer plug/store receptacle assembly are completely separated during each cycle. The mating shall use a suitable blind-mate actuation mechanism such that the alignment pins of the connectors are exercised.

4.7.6 Altitude immersion (qualification only) (see 3.10). Mated connectors shall be tested in accordance with test procedure 003 of EIA-364. The following details shall apply:

- a. Service rating N shall apply to size 16 and size 20 contact locations only.
- b. All wire ends shall be located within the chamber and exposed to the chamber atmosphere but not submerged or sealed.
- c. At the end of the third cycle, while the connectors are still submerged in the solution, the insulation resistance at ambient temperature, shall be measured as specified in 4.7.7.1 and the dielectric withstanding voltage test shall be performed as specified in 4.7.8.1.
- d. A suitable fixture, approved by the qualifying activity, shall apply the mating force specified in 3.4.7.2 to hold the connector pair together (see figure 14).

4.7.7 Insulation resistance.

4.7.7.1 Insulation resistance at ambient temperature (see 3.11.1). Unmated store receptacle and combined launcher receptacle/buffer plug connectors shall be tested as specified in test procedure 021 of EIA-364. The following details and exceptions shall apply:

- a. For lot acceptance testing, where it is undesirable to install actual contacts in connectors, simulated contacts and special techniques may be used in performing this test.
- b. The tolerance on the applied voltage shall be  $\pm 10$  percent.
- c. Connectors shall be mated when testing after altitude immersion, humidity and altitude (low temperature).

4.7.7.2 Insulation resistance at elevated temperature (see 3.11.2). Unmated store receptacle and combined launcher receptacle/buffer plug connectors shall be tested as specified in test procedure 021 of EIA-364. The following details and exceptions shall apply:

- a. The tolerance on the applied voltage shall be  $\pm 10$  percent.
- b. Test temperature of 175  $+5^{\circ}\text{C}$ ,  $-0^{\circ}\text{C}$ , for 30 minutes.
- c. Measurements shall be made while the connectors are still in the chamber at the specified temperature.

4.7.8 Dielectric withstanding voltage (see 3.12).

4.7.8.1 Dielectric withstanding voltage at sea level (not applicable for coaxial and triaxial contacts). Wired, unmated store receptacle and combined launcher receptacle/buffer plug connectors shall be tested in accordance with test procedure 020 of EIA-364. Connectors shall be mated when testing after altitude immersion, humidity, and altitude (low temperature). The following details and exceptions shall apply:

## MIL-DTL-83538B

- a. The magnitude of the test voltage shall be as specified in table X.
- b. Fifty percent of each contact size available shall be tested, but in no case shall less than six dielectric withstanding voltage readings be taken. If the number of contacts is three or less, all contacts shall be tested. The test voltage shall be applied between each wired contact, and each adjacent contact, and the shell.
- c. The test voltage shall be maintained at the specified value for 2 seconds minimum.
- d. For quality conformance, simulated contacts and special techniques may be used.

TABLE X. Test voltages, ac rms, 55 ± 7 Hz.

Altitude	Service rating N	
	Mated	Unmated
Sea level	1,000	1,000
15,240 meters (50,000 feet)	600	400
21,336 meters (70,000 feet)	600	260
30,480 meters (100,000 feet)	600	200

4.7.8.2 Dielectric withstanding voltage at altitude. Mated connectors and unmated connector halves with pin contacts shall be tested in accordance with test procedure 020 of EIA-364. The following details and exceptions shall apply:

- a. The magnitude of the test voltages shall be as specified in table X.
- b. Fifty percent of each contact size available shall be tested, but in no case shall less than six dielectric withstanding voltage readings be taken. If the number of contacts is three or less, all contacts shall be tested. The test voltage shall be applied between each wired contact and each adjacent contact and the shell.
- c. The test voltage shall be maintained at the specified value for 2 seconds minimum.
- d. The leads of all test circuits shall be brought out through the walls of the chamber. There shall be no wire splices inside the chamber. The wire ends of all leads shall be unsealed.
- e. The chamber shall be evacuated to each of the specified altitude pressure equivalents listed below.

<u>Altitude</u>	<u>Equivalent pressure</u>
15,240 meters (50,000 feet)	87 torr
21,336 meters (70,000 feet)	33 torr
30,480 meters (100,000 feet)	8 torr

4.7.9 Insert retention (see 3.13). Unmated connectors shall be tested in accordance with test procedure 035 of EIA-364. The following details and exceptions shall apply:

- a. Force to be applied is 532 N min (120 lbs).
- b. Connectors may be wired.

4.7.10 Salt spray (corrosion) (see 3.14). The wired, store receptacle/buffer plug and launcher receptacle/buffer plug shall be mated and unmated 50 cycles at a rate of 300 cycles per hour maximum. The mating and unmating shall be accomplished so that the connector assemblies are completely separated during each cycle. The connectors shall then be subjected to the salt spray test in accordance with test procedure 026 of EIA-364. The following details and exceptions shall apply:

- a. For connectors that have already been subjected to a mating/unmating test, the 50 mating/unmating cycles prior to salt spray are not required.

## MIL-DTL-83538B

- b. The pretest mating/unmating cycles shall use a suitable blind-mate actuation mechanism.
- c. For group 7 tests only, perform 450 mating/unmating cycles after salt spray exposure.
- d. The connectors shall be tested for 452 hours mated, followed by 48 hours unmated.
- e. The connectors shall not be mounted but shall be suspended from the top of the chamber using waxed twine or string, glass rods, or glass cord.
- f. Wire ends must be protected to prevent salt migration.
- g. A suitable fixture, approved by the qualifying activity, shall apply the mating force specified in 3.4.7.2 to hold the connector pair together (see figure 14).
- h. When launcher receptacles are unmated, a protective cover shall be fitted to the receptacle during the salt spray test.
- i. The nickel plate on the signal components is to enhance the electrical performance needed on internal components. Degradation of the nickel plate on the OD surfaces of the signal set does not constitute a failure of this test.

4.7.11 Electrical engagement (see 3.15). The combined launcher receptacle/buffer plug and store receptacle shall be wired so it provides a complete series circuit through all contacts of the mated connector. A suitable power source and indicator shall be provided such that the earliest point at which the circuit is completed, during normal connector mating, can be established.

4.7.11.1 Electrical engagement-store receptacle to buffer plug. Connector halves shall be slowly mated by normal mating means until first indication of a completed circuit is observed. Means shall be provided to assure that electrical contact is made between the pin and the spring of the socket contact, rather than the hood of the socket contact. The mating operation shall be held at this point and the overall connector length shall be measured from solid reference points on the connector halves. The mating operation shall then be continued until the connector halves are in the completely mated position by applying the mating force specified in 3.4.7.2. A second overall length measurement shall then be taken from the same reference points. The difference of these two measurements shall be not less than that specified in 3.15. Both the outer shield and inner conductor circuits shall be included in the test of shielded contacts.

4.7.11.2 Electrical engagement-launcher receptacle to buffer plug. Connector halves shall be slowly mated by normal mating means until first indication of a completed circuit is observed. Means shall be provided to assure that electrical contact is made between the pin and the spring of the socket contact, rather than the hood of the socket contact. The mating operation shall be held at this point and the overall connector length shall be measured from solid reference points on the connector halves. The mating operation shall then be continued until the connector halves are in the completely mated position. A second overall length measurement shall then be taken from the same reference points. The difference of these two measurements shall be not less than that specified in 3.15. Both the outer shield and inner conductor circuits shall be included in the test of shielded contacts.

4.7.12 Gauge location (see 3.16). Applicable test gauges, conforming to figure 4 shall be installed in three randomly selected cavities in each connector. With each test gauge fully seated back against its contact retention device, the axial location of the front end of each gauge shall be measured relative to the reference point indicated in 3.1, as applicable.

4.7.13 Gauge retention (see 3.17). Applicable test gauges conforming to figure 5 shall be installed in three randomly selected cavities in each connector. The axial load specified in 4.7.14 shall be applied to individual test gauges in both directions. The load shall be applied at a rate of approximately 4.45 newtons (1 pound) per second until the specified load has been reached. Gauge displacement shall be measured with respect to the connector shell after an initial load of 8.9 newtons (2 pounds) has been applied to assure that all slack has been taken up.

Contact retention (see 3.18). Unless otherwise specified, contacts shall be tested to procedures I and II.



## MIL-DTL-83538B

4.7.14.1 Procedure I. The contact retention shall be tested as specified in test procedure 029 of EIA-364. The following details and exceptions shall apply:

- a. Number of samples: The test shall be performed on 20 percent of the contact complement; but not less than three contacts in each connector half.
- b. Applied axial load: Preload to 13.6 newtons maximum (3 lbs). Apply load as specified in table XI.
- c. Special requirements: Where the test sequence required maintenance aging prior to contact retention, the contacts which were subjected to maintenance aging shall also be selected for contact retention.
- d. Axial direction: The applicable forces shall be applied along the longitudinal axis of individual contacts in the direction tending to displace the contacts to the rear.
- e. Only the contacts to be tested need be installed in the connector.

TABLE XI. Contact retention.

Contact	Load $\pm 10$ percent	
	Newtons	Pounds
20	67	15
16	111	25
12 coaxial	111	25
8 twinaxial	111	25

4.7.14.2 Procedure II. The contact retention shall be tested as specified in test procedure 029 of EIA-364. The following details and exceptions shall apply:

- a. Procedures: 4.7.14.1a through 4.7.14.1c apply.
- b. Axial direction: Same as 4.7.14.1d, except the direction shall tend to displace the contacts to the front.
- c. Only the contacts to be tested need be installed in the connector.

4.7.15 Altitude (low temperature) (see 3.19). Wired, mated, assembled connectors shall be subjected to the test specified in test procedure 105 of EIA-364. The following details shall apply:

- a. No wire ends or splices inside the chamber.
- b. Dielectric withstanding voltage test to be performed after return to ambient conditions shall be in accordance with 4.7.8.1.
- c. Insulation resistance test to be performed at 30,480 meters (100,000 feet) at  $-65^{\circ}\text{C}$  and shall be in accordance with 4.7.7.1.
- d. A suitable fixture, approved by the qualifying activity, shall apply the mating force specified in 3.4.7.2 to hold the connector pair together (see figure 14).

4.7.16 Accessory thread strength (receptacles only, see 3.20).

4.7.16.1 Accessory thread strength (store receptacle only, see 3.20). The store receptacle shall be fitted into a mounting panel that will hold it in place. The torque wrench shall be applied to the backshell thread of the store receptacle at a rate of approximately 5 newton-meter per second (3.7 pound feet per second) until the torque required is achieved. The applied load shall be held for 1 minute, then the load shall be released.

## MIL-DTL-83538B

4.7.16.2 Accessory thread strength (launcher receptacle only, see 3.20). The launcher receptacle shall be fitted into a device that will hold it in place. The torque wrench shall be applied to the adapter thread of the launcher receptacle at a rate of approximately 5 newton-meter per second (3.7 pound feet per second) until the torque required is achieved (see figure 7). The applied load shall be held for 1 minute, then the load shall be released. The test shall then be repeated on the accessory end of the launcher receptacle accessory adapter using the torque values from MIL-DTL-83538/9.

4.7.17 Vibration (qualification only) (see 3.21). Wired and mated connectors shall be subjected to the applicable test(s) specified. All contacts shall carry a test current of 100 milliamperes maximum and shall be continuously monitored for discontinuities throughout the test. A detector capable of detecting any discontinuities in excess of 1 microsecond shall be used. An accessory load fixture in accordance with figure 8 shall be attached to the launcher receptacle and store receptacle during vibration. A suitable fixture, approved by the qualifying activity, shall apply a mating force of 289 newtons (65 pounds)  $\pm 10\%$  to hold the connector pair together (see figure 14).

4.7.17.1 Random vibration. Connectors shall be subjected to the test specified in method 514.3 of MIL-STD-810 (see figure 9). The following details shall apply:

- a. Procedure I: Using the vibration test spectrum of MIL-STD-810, with  $W_0$  functional =  $0.20 G^2/Hz$ , and  $W_0$  Endurance =  $0.83 G^2/Hz$ .
- b. Vibration to be conducted at ambient temperature.
- c.  $0.04 G^2/Hz$  to 31 Hz (89Hz for functional test).
- d. XX dB/oct. increase to  $W_0$  at 300 Hz.
- e.  $W_0$  from 300 Hz to 1000 Hz.
- f. 6 dB/oct. decrease down to 2000 Hz.
- g. The connectors shall be assembled utilizing a straight EMC backshell in accordance with SAE-AS85049/19, attached to the launcher receptacle.

The duration shall be 30 minutes functional, 1 hour endurance, 30 minutes functional applied in each of the longitudinal and perpendicular directions.

4.7.17.2 Gunfire vibration. Wired and mated connector assemblies shall be subjected to a functional test in accordance with MIL-STD-810, method 519.5, except that  $T_1$  shall be at 20Hz and 2KHz instead of 30Hz and 2KHz, at the levels defined in table XII, which are applied for 26.5 minutes in each of the longitudinal and perpendicular directions.

## MIL-DTL-83538B

TABLE XII. Gunfire vibration.

$T_1$ ( $g^2/Hz$ ) = 0.037
$T_2$ ( $g^2/Hz$ ) = 0.765
$T_3$ ( $g^2/Hz$ ) = 2.518
Overall gms = 37.18
$F_1$ (Hz) = 28.3
$F_2$ (Hz) = 56.6
$F_3$ (Hz) = 84.9
$F_4$ (Hz) = 113.2
$P_1$ ( $g^2/Hz$ ) = 2.312
$P_2$ ( $g^2/Hz$ ) = 2.440
$P_3$ ( $g^2/Hz$ ) = 2.784
$P_4$ ( $g^2/Hz$ ) = 3.833

4.7.18 Shock (see 3.22). Wired and mated connectors shall be subjected to the applicable test specified. Connectors shall be monitored for any discontinuities. A detector capable of detecting all discontinuities in excess of 1 microsecond shall be used. A suitable fixture, approved by the qualifying activity, shall apply the mating force specified in 3.4.7.2 to hold the connector pair together (see figure 14).

4.7.18.1 Standard shock. Connectors shall be subjected to the test specified in test procedure 027 of EIA-364. The following details shall apply:

- a. The pulse shall be an approximate half sine wave of 300 g's  $\pm$ 15 percent magnitude with a duration of  $3 \pm 1$  milliseconds.
- b. The wire bundle shall be clamped to fixed points at least 203.2 mm (8 inches) from the rear of the connector.

4.7.19 Shell to shell conductivity (see 3.23). Mated connectors shall be subjected to the test specified in test procedure 083 of EIA-364. A suitable fixture, approved by the qualifying activity, shall apply the mating force specified in 3.4.7.2 to hold the connector pair together (see figure 14).

4.7.20 Humidity (see 3.24). Wired, mated connectors shall be subjected to the humidity test specified in test procedure 031 of EIA-364. The following details and exceptions shall apply:

- a. Test condition letter: Type II.
- b. The mated connectors shall be mounted in a vertical position.
- c. Step 7a shall be performed during the last 5 cycles.
- d. Three hours minimum after the start of step 7a during the final cycle and while the connectors are still subjected to high humidity, the insulation resistance shall be measured when the chamber temperature reaches  $+20^\circ\text{C}$ ,  $-5^\circ\text{C}$  and condensation is observed on the connector.
- e. For qualification testing, insulation resistance readings shall be made on a minimum of 50 percent of the circuits. Outer circuits shall be measured to the connector shell.
- f. A suitable fixture, approved by the qualifying activity, shall apply the mating force specified in 3.4.7.2 to hold the connector pair together (see figure 14).

## MIL-DTL-83538B

4.7.21 Shell spring finger forces (see 3.25). Plugs shall be completely mated and unmated 10 times with counterpart receptacles less coupling pins (if applicable) and inserts. On the mating of the first cycle, the forces necessary to engage the connectors shall be within the values specified in 3.25. On the unmating of the last cycle, the forces necessary to separate the connectors shall be within the values specified in 3.25. When measuring the engagement and separation forces, the axial loads shall be applied at a displacement rate of 12.70 mm (.5 inch) per minute.

4.7.22 EMI shielding (see 3.26).

4.7.22.1 EMI shielding (from 100 Hz to 1 GHz only). The EMI shielding effectiveness of mated connectors with EMI backshells (backshells may be soldered to the connector) shall be measured in a triaxial radio frequency leakage fixture as shown on figure 10. The EMI leakage from the conductor inside the connector in the same inner coaxial line into the outer coaxial line shall be measured at the frequencies specified in table III within a frequency accuracy of  $\pm 5$  percent. The level of detected signal power shall be indicated by a tunable radio frequency field intensity meter isolated from the test circuit by a 3 to 10 dB pad. Care shall be taken to ensure that the signal is a result of EMI leakage from within the mated connector and not due to a faulty termination inside the fixture. All terminations inside the fixture, whether to the EMI backshells or between internal conductors, shall have a leakage at least 10 dB less than the test requirements. The signal source shall be set to the desired frequency. The signal shall be fed through a 3 to 10 dB isolation pad to a parallel circuit consisting of a coaxial switch (DPDT) so connected that the signal can be manually or electronically fed alternately to the fixture and to a variable 100 dB reference attenuator. The attenuator shall be adjustable in 1 dB steps and calibrated to  $\pm 3$  dB.

- a. The inserts may be removed from the connectors under test or the contacts removed and a hole drilled through the inserts to accommodate a center conductor of suitable geometry to provide a good 50 ohms impedance match with the inside diameter of the mated connector shells and EMI backshells. Tapered transition may be used to provide a means of changing diameters without introducing significant discontinuities in the line. The maximum VSWR in the inner coaxial line shall be 1.5. The outer shell of the test fixture shall be so constructed as to provide a good 50 ohms impedance match with the outside diameter of the mated connector shells, coupling ring, and EMI backshells. The maximum VSWR of the outer coaxial line shall be 1.5.
- b. A sliding circumferential short shall be positioned behind the connector on the signal input end of the fixture to provide for tuning the outer coaxial line for maximum output at each test frequency. The allowable travel of this short shall be greater than one-half wave length at the lowest test frequency of 1.5 meters minimum for 100 MHz. The inner coaxial line shall be terminated in a fixed 50-ohm load impedance behind the connector at the output end of the fixture.
- c. The connectors used to couple together the various elements of the test system shall be of a low-leakage type which have a nominal impedance of 50 ohms, a VSWR of less than 1.5, and a minimum leakage attenuation of 100 dB. The output impedance of the signal source and the input impedance of the detector shall be nominally 50 ohm with a maximum VSWR of 1.5. The input and output VSWR of the standard attenuator shall be less than 1.5 in the 20 to 100 dB range.
- d. The relative signal level in the variable attenuator shall be equaled to the signal level through the leakage fixture by adjusting the attenuator. The signal loss in the fixture can then be read from the setting on the variable attenuator.
- e. A suitable fixture, approved by the qualifying activity, shall apply the mating force specified in 3.4.7.2 to hold the connector pair together (see figure 14).

## MIL-DTL-83538B

4.7.22.2 EMI shielding (from 1 GHz to 10 GHz). The EMI shielding effectiveness of mated connectors with EMI backshells shall be measured using the mode-stirred technique specified in test procedure 066 of EIA-364.

4.7.23 Insertion loss (see 3.27).

4.7.23.1 Contact resistance. Connectors shall be tested in accordance with the contact resistance test method of MIL-C-39029. The following details and exceptions shall apply:

- a. The test shall be conducted on the mated set of launcher receptacle with buffer plug, and store receptacle with buffer plug (not /11).
- b. The total measured maximum resistance through the combined mated sets of launcher receptacle with buffer plug and store receptacle with buffer plug shall be 1.5 times the limits of MIL-C-39029 for the applicable size contacts.
- c. A suitable fixture, approved by the qualifying activity, shall apply the mating force specified in 3.4.7.2 to hold the connector pair together (see figure 14).

4.7.23.2 RF insertion loss. Wired, mated set of launcher receptacle with buffer plug and store receptacle with buffer plug shall be individually tested as shown on figure 11. Insertion loss of a mated connector set is defined as the increase of a loss due to insertion of mated connectors in a cable; this includes the reflection losses to the cable and the dissipating losses in the pair. First insert cable assembly number 1 and tune out its input VSWR by means of tuner number 4 and balance setup. Then insert the cable assembly number 2 which includes the connector set under test. With tuner number 4 in the same position and the electrical length of the cable assembly the same as that of number 1, record increase of insertion loss; add to this as a correction, the cable loss of the removed section due to the length  $\Delta L_1 + \Delta L_2$  at this frequency. The sum of the increase and the correction is the insertion loss of the connector set. This shall be repeated for the other mated sets. The following details shall apply:

- a. The high bandwidth 1 contact shall be terminated to RG316 cable.
- b. The high bandwidth 1 contact (MIL-C-39029/102 and /103) shall be tested from 20 Hz to 2.0 GHz with a 50-ohm reference load.
- c. For frequencies from 500 MHz to 2.0 GHz, the measured insertion loss shall not exceed  $0.11 \text{ dB} \times \sqrt{F}$ , where F is the test frequency in GHz. For frequencies below 500 MHz, the insertion loss shall not exceed 0.12 dB.
- d. For frequencies from 20 Hz to 20 MHz, the insertion loss shall not exceed 0.20 dB.
- e. A suitable fixture, approved by the qualifying activity, shall apply the mating force specified in 3.4.7.2 to hold the connector pair together (see figure 14).

4.7.24 Voltage standing wave ratio (see 3.28). Wired, mated connectors shall be subjected to the following VSWR tests:

- a. Conduct the test on a mated set of launcher receptacle, buffer plug, and store receptacle units.
- b. High bandwidth 1 contacts shall be tested with RG316 cable and a 50-ohm reference load.
- c. After performing a 50-ohm  $\pm 1$ , 1-port calibration of the vector network analyzer, set up the test configuration of figure 12 for the connector set under test. Set the network analyzer starting frequency at 50 MHz maximum and the stopping frequency at 2.0 GHz minimum.
- d. Display the linear magnitude of the low pass impulse reflection response (time domain) of the figure 12 test setup (inverse fourier transform of the frequency domain data).
- e. Gate out all reflection contributors beyond adapter 1 (see figure 12).
- f. Fourier transform the gated impulse reflection response back into the frequency domain and verify that adapter 1 VSWR is less than 1.20 over the frequency range selected in step "c" above.
- g. Return the network analyzer to the low pass impulse response (time domain) mode and remove the gate of step "e" above.

## MIL-DTL-83538B

- h. Remove all residual reflection contributors by centering ( $\pm 1$  nanosecond) a new gate at the midpoint between the mated connector set. Set this new gate width to a value higher than 20.0 nanoseconds.
- i. Fourier transform the gated impulse reflection response back into the frequency domain.
- j. Verify that the displayed resulting transformed return loss (or equivalent reflection coefficient) complies with the VSWR limits specified in 3.28.
- k. A suitable fixture, approved by the qualifying activity, shall apply the mating force specified in 3.4.7.2 to hold the connector pair together (see figure 14).

4.7.25 Ozone (see 3.29). Wired, mated connectors shall be subjected to the test specified in test procedure 014 of EIA-364. A suitable fixture, approved by the qualifying activity, shall apply the mating force specified in 3.4.7.2 to hold the connector pair together (see figure 14).

4.7.26 Fluid immersion (see 3.30). Connector samples shall be subjected to the test specified in test procedure 010 of EIA-364 (one sample per fluid as referenced in table IX). Following the fluid immersion cycles, the connectors shall be tested for coupling force/torque as specified in 4.7.4, decoupling rate as specified in 4.7.4.3 and dielectric withstanding voltage at sea level as specified in 4.7.8.1 within 3 hours.

4.7.27 Retention system fluid immersion (see 3.30.1). Unmated connectors with contacts removed shall be immersed in the fluids listed in table IX (one sample per fluid) for 2 hours at room temperature. After removal, excess fluid shall be drained from the connectors for 4 hours and the contacts reinstalled. Following the test, the connectors shall be subjected to contact retention as specified in 4.7.14.

4.7.28 Contact walkout (see 3.31). Two contacts in each receptacle shall be tested. The contacts shall be crimped to stranded steel cable of an appropriate size and installed in the connector. The unmated connector shall be mounted in a test fixture as shown on figure 13. A 13.6 newton-load (3 pounds) shall be applied to the cable. One 360° rotation of the fixture with the connector mounted shall constitute one cycle. The connector shall be subjected to 100 cycles at a rate of 10 to 20 cycles per minute.

4.7.29 Installing/removal tool abuse (qualification only) (see 3.32). One 8 gauge, one 12 gauge, one 16 gauge, and two 20 gauge contact cavities in each connector shall be subjected to each of the following test. Different contact cavities shall be used for each test. Should a tool become damaged during any of the testing, it shall be replaced. Failure of a tool shall not constitute a test failure. Tools shall be used in accordance with MIL-I-81969/14.

4.7.29.1 Removal tool rotation. The tool shall be inserted as if to remove a contact and a total of 13.6 newtons (3 pounds) axial load shall be applied. With the force applied, the tool shall be rotated 180° and then removed also removing the contact. The contact shall be reinserted. The steps shall be repeated three times on each of the contacts selected.

4.7.30 High temperature exposure (see 3.33).

4.7.30.1 High temperature exposure with contact loading (see 3.33.1). Connectors with removable contacts shall have one mating pair of 16 gauge contacts removed from an untested contact cavity and replaced with contacts crimped or otherwise attached to steel cable or steel cored copper wire (copperweld, or equivalent) of an appropriate size. The axial location of these contacts shall be measured for conformance to the applicable dimensions of 3.1, with a load of approximately 8.9 newtons (2 pounds) applied to seat the contact back against the retention device. The connector shall then be mounted in a fixture equivalent to that shown on figure 6. A weight equal to 50 percent of the axial load specified in table XI for the applicable contact size shall be suspended freely from each steel wire. A current of 100 milliamperes maximum shall be applied to the test contacts and a suitable instrument shall be used to monitor the circuit for discontinuities in excess of 1 microsecond. The mounted connector shall then be

## MIL-DTL-83538B

exposed to 175°C for 1,000 hours minimum. After the connectors return to ambient temperature, they shall be unmated and the contact locations remeasured with approximately 8.9 newtons (2 pounds) axial load applied to seat the contact back against the retention device. A suitable fixture, approved by the qualifying activity, shall apply the mating force as specified in 3.4.7.2 to hold the connector pair together (see figure 14).

4.7.30.2 High temperature exposure (see 3.33.2). Mated connectors, with an applied holding force as specified in 3.4.7.2, shall be subjected to an ambient temperature of 175°C +3°C, -0°C. The temperature shall be maintained for 1,000 hours. A suitable fixture, approved by the qualifying activity, shall apply the mating force as specified in 3.4.7.2 to hold the connector pair together (see figure 14).

4.7.31 Electrolytic erosion (see 3.34). The launcher receptacle with buffer plug (/3) mated shall be mounted in a vertical position, pins facing up. A saltwater solution (5 percent salt by weight) shall be poured onto the pin interface until the solution level just reaches the pin tips. The solution shall remain in the connector for a minimum of 30 seconds and then poured out, lightly shaking excesses from the connector. The store receptacle shall immediately be mated to the buffer plug with an applied holding force as specified in 3.4.7.2. One cell pattern, with all contacts adjacent to a central contact at a positive polarity and the center contact at a negative polarity, shall be set up at a location giving the most uniform distribution of contacts adjacent to the center contact. A potential of 60 volts dc shall be applied between the contacts adjacent to the center contact. The contacts shall be energized for 40 hours. Following this, with the voltage disconnected, the connectors shall be unmated and the pin contacts shall be examined using 3X magnification for erosion to base metal.

4.7.32 Ice and freezing rain (see 3.35).

4.7.32.1 Severe ice test. The unmated wired connectors with accessories attached, shall be temperature stabilized at +5°C (41°F). The store receptacle connector shall be filled with a salt water solution (2.5% salt by weight) and then the water shall be emptied out by inverting the connector assembly. Immediately after, within 30 seconds, the connector shall be mated with its launcher counterpart. A suitable fixture, approved by the qualifying activity, shall apply a mating force as specified in 3.4.7.2 to hold the connector pair together (see figure 14). The chamber temperature shall be reduced to -54.0 °C (-65.2°F) at a rate not less than 5°C/minute. The test specimen within the chamber shall be randomly vibrated in the z axis at a level of 0.83 g<sup>2</sup>/Hz for the whole of the cooling cycle in accordance with MIL-STD-810, method 514, procedure I spectrum. The chamber temperature shall be increased at a rate of 5°C/minute until the chamber temperature reaches 0°C. The test specimen shall be held at this temperature for 5 minutes during which vibration shall be continued. Upon completion of the soak period, the test specimen shall be removed from the chamber and immediately (within 30 seconds) subjected to unmating as provided in its user application. The force required to separate the connector shall not exceed 320 newtons (72 pounds).

4.7.32.2 Ice resistance test. Wired, mated connectors with an applied holding force of 289 ±10% newton, and with accessories attached shall be placed in a chamber and the temperature reduced and stabilized such that the item is maintained at -54.0°C (-65.2°F) for 1 hour. After stabilization of the chamber temperature, the test specimen shall be sprayed with water precooled to 1.7°C (35°F) for a period of 5 minutes. The test specimen shall be located at a maximum 305 mm (12 inches) from the spray nozzle. The entire test specimen shall remain in the chamber at -54.0°C (-65.2°F) for an additional 30 minutes. Upon completion of the 30 minute cold soak period, the test specimen shall be removed from the chamber and immediately (within 2 minutes) subjected to unmating as provided in its user application.

The force required to separate the connector shall not exceed 320 newtons (72 pounds). A suitable fixture, approved by the qualifying activity, shall apply a mating force as specified in 3.4.7.2 to hold the connector pair together (see figure 14).

## MIL-DTL-83538B

4.7.33 Sand and dust (see 3.36). Wired, mated connectors shall be subjected to the blowing dust and blowing sand tests of MIL-STD-810, method 510. Blowing dust air velocity shall be 8.9 meters/second minimum. The blowing sand air velocity shall be 29 meters/second minimum with a sand concentration of  $2.2 \pm 0.5$  grams/cubic meter. Immediately following this exposure, the decoupling force and coupling force shall be measured and shall not exceed the requirements specified in 3.8 by more than 25 percent. A suitable fixture, approved by the qualifying activity, shall apply the mating force specified in 3.4.7.2 to hold the connector pair together (see figure 14).

4.7.34 Magnetic permeability (see 3.3.6). Connectors shall be tested as specified in test procedure 054 of EIA-364.

4.7.35 Post test examination. The tested connectors and contacts shall be examined for compliance with 3.38 and 3.39 to determine the effects of previous testing. Any evidence of cracking, loosening of parts, carbon tracking, excess wear, or missing parts shall be recorded.

4.7.36 Launcher drive pin strength (/4 only). Launcher receptacles shall be mounted in a fixture such that the drive pins are supported no more than 1 mm from their free end and this is the only method of support along the "Z" axis as specified on figure 3. A static force of 2000 newtons (450 pounds) shall be applied to the rear of the connector. Connectors shall meet the requirements of 3.37 after the test.

4.7.37 Holding force (see 3.8.5). A mated set of launcher receptacle, buffer plugs and store receptacles shall be placed in an appropriate holding device. A holding force of 578 newtons (130 pounds) shall be applied to the set. The requirement of 3.8.5 shall be met.

4.7.38 Lightening strike (see 3.38). The connector set shall be subjected to the lightening strike test requirements as follows:

4.7.38.1 Lightning strike - current pulse test. The current pulse will be a slow pulse Waveform (see figure 15), to simulate the effect of an indirect lightning signal arising from the voltage differences across the airframe. A typical test arrangement is shown on figure 16. The power generator used shall be capable of producing the current waveform show on figure 15. The test shall be carried out on two mated connector sets, one for each buffer adapter type. Connectors must be tested as a complete connector set, ie. Launcher receptacle, buffer plug, and store receptacle. The connector set shall be fully coupled and held together using a non-conductive fixture. The launcher receptacle is to be assembled with a SAE-AS85049/19 backshell to ensure that the test current is injected into the shell via its rear accessory thread. A cable bundle with a large cross-sectional area of screen must be used to ensure that it will carry the test currents. The non- conductive fixture and cable bundle shall be approved by the qualifying activity. The full amplitude signal (see figure 15) at 10 kA amplitude shall be a total of 5 times in the positive and negative directions of current flow.

4.7.38.2 Lightning strike - voltage pulse test. A typical test method is shown on figure 17. The power generator used shall be capable of producing the voltage waveform shown on figure 18. The test performed shall be between contacts, and between contacts and shell, for a mated connector set. For the contact to contact test, only the two adjacent contacts closest together are to be tested, and for the contact to shell test, only the contact closest to the shell is tested. If there is no difference in the contact spacing, any contact is acceptable. The full amplitude signal is to be applied 5 times for each contact to contact, and each contact to shell test.



## MIL-DTL-83538B

## 5. PACKAGING

5.1 Packaging. For acquisition purposes, the packaging requirements shall be as specified in the contract or order (6.2). When packaging of materiel is to be performed by DoD or in-house contractor personnel, these personnel need to contact the responsible packaging activity to ascertain packaging requirements. Packaging requirements are maintained by the Inventory Control Point's packaging activities within the Military Service or Defense Agency, or within the Military Service System Command. Packaging data retrieval is available from the managing Military Department's or Defense Agency's automated packaging files, CD-ROM products, or by contacting the responsible packaging activity.

## 6. NOTES

(This section contains information of a general or explanatory nature that may be helpful, but is not mandatory.)

6.1 Intended use. This connector is designated the MIL-STD-1760, type II connector. This connector assembly will be used to provide the transfer of MIL-STD-1760 interface class I electrical signals and power between an aircraft (or ground vehicle) mounted launcher and an associated store. This connector is intended to be used on rail and eject launchers where engagement/disengagement of the launcher receptacle (with attached buffer plug) to the store receptacle will be via a blindmate mechanical mechanism. The signal and power transfer may occur at various phases of all store operations from store upload through store launch. In addition, the connectors may be used with suitable test equipment for various tests of the store and aircraft in the factory-to-upload sequence. This connector is military unique because it is intended to be used on rail and eject launchers where engagement/disengagement of the launcher receptacle (with attached buffer plug) to the store receptacle will be via a blindmate mechanical mechanism; whereas no known commercially equivalent substitute is available.

6.2 Acquisition requirements. Acquisition documents must specify the following:

- a. Title, number, and date of this specification.
- b. Issue of DODISS to be cited in the solicitation, and if required, the specific issue of individual document referenced (see 2.1).
- c. Packaging requirements (see 5.1).
- d. PIN (see 3.38).
- e. Whether contacts, sealing plugs, and tools are included (see 3.4.2, 3.4.2.2, and 3.4.4.2).

6.3 Qualification. With respect to products requiring qualification, awards will be made only for products which are, at the time of award of contract, qualified for inclusion in Qualified Products List QPL No. 83538 whether or not such products have actually been so listed by that date. The attention of the contractors is called to these requirements, and manufacturers are urged to arrange to have products that they propose to offer to the Federal Government tested for qualification in order that they may be eligible to be awarded contracts or orders for the products covered by this specification. Information pertaining to qualification of products may be obtained from Defense Supply Center Columbus, DSCC-VQ, 3990 East Broad Street, Columbus, Ohio 43213-1199.

6.3.1 Copies of "Provisions Governing Qualification SD-6". Copies of "Provisions Governing Qualification SD6" may be obtained upon application to Commanding Officer, Naval Publications and Forms Center, 5801 Tabor Avenue, Philadelphia, PA 19120.

6.4 Definitions.

6.4.1 Blindmate. A situation in which personnel wishing to mate a connector can neither see nor touch the connector halves being mated and must rely on some mechanism to accomplish the mating.

## MIL-DTL-83538B

6.4.2 Scoopproof. Scoopproof means that because of the connector long shell design, it is impossible for the mating plug connector to inadvertently be cocked into the mating receptacle and damage the pins or electrically short the contacts.

6.5 Applicable contacts.

MIL-C-39029			
	Power	Coaxial	Twinaxial
Socket	/56	/75, /103	/91

6.6 Patent notice. The Government has a royalty-free license under the following listed patents for the benefit of manufacturers of the item either for the Government or for use in equipment to be delivered to the Government.

6.7 Subject term (key word) listing.

Blind mating  
Buffer plug  
Environmental  
Launcher receptacle  
Store receptacle

6.8 Environmentally preferable material. Environmentally preferable materials should be used to the maximum extent possible to meet the requirements of this specification. Table XIII lists the Environmental Protection Agency (EPA) top seventeen hazardous materials targeted for major usage reduction. Use of these materials should be minimized or eliminated unless needed to meet the requirements specified herein (see section 3).

TABLE XIII. EPA top seventeen hazardous materials.

Benzene	Dichloromethane	Tetrachloroethylene
Cadmium and Compounds	Lead and Compounds	Toluene
Carbon Tetrachloride	Mercury and Compounds	1,1,1 - Trichloroethane
Chloroform	Methyl Ethyl Ketone	Trichloroethylene
Chromium and Compounds	Methyl Isobutyl Ketone	Xylenes
Cyanide and Compounds	Nickel and Compounds	

6.9 Guidance on use of alternative parts with less hazardous or nonhazardous materials. This specification provides for a number of alternative plating materials via the PIN. Users should select the PIN with the least hazardous material that meets the form, fit and function requirements of their application.

6.10 Military unique statement. This connector is military unique because it is an environment resisting circular connector specifically designed for MIL-STD-1760 applications. It is capable of operating in high shock, high vibration and high temperature environments as well as meeting the salt spray corrosion requirements of this specification. As a three piece rail launch connector set, it has no commercial applications and is exclusively used to launch various missiles from various jet fighters.

6.11 Changes from previous issue. Marginal notations are not used in this revision to identify changes with respect to the previous issue due to the extent of the changes.

MIL-DTL-83538B

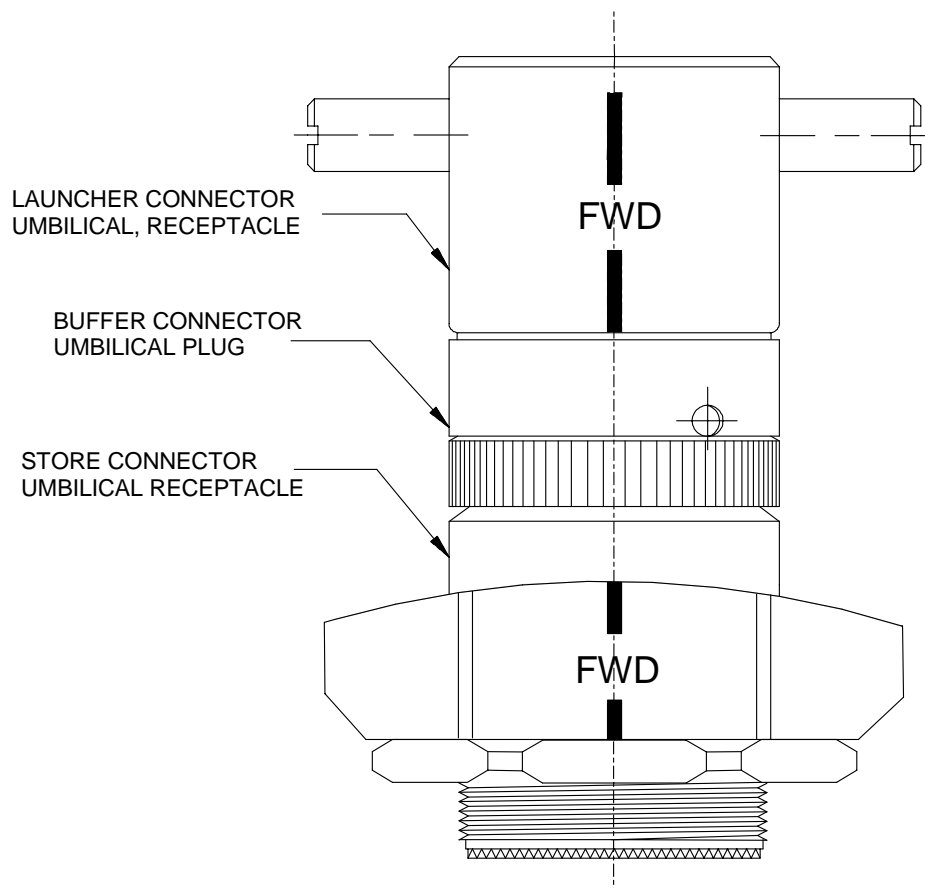
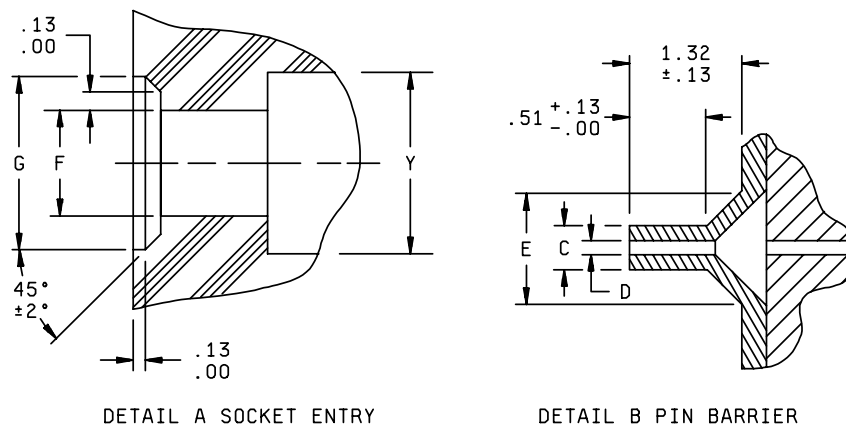


FIGURE 1. Electrical umbilical assembly.

## MIL-DTL-83538B



mm	Inches
0.00	0.00
0.13	0.005
0.51	0.020
1.32	0.052

Contact size	Detail A			Detail B		
	F dia	G dia	Y dia	E dia	C dia	D dia max
20	1.32 (.052)	2.26 (.089)	2.184 (.0860)	2.44 (.096)	1.91 (.075)	0.97
	1.24 (.049)	2.16 (.085)	2.108 (.0830)	2.31 (.091)	1.83 (.072)	(.038)
16	1.88 (.074)	2.84 (.112)	3.073 (.1210)	3.02 (.119)	2.49 (.098)	1.52
	1.80 (.071)	2.74 (.108)	2.997 (.1180)	2.90 (.114)	2.41 (.095)	(.060)
12	2.69 (.106)	3.66 (.144)	4.293 (.1690)	3.84 (.151)	3.30 (.130)	2.34
	2.62 (.103)	3.56 (.140)	4.216 (.1660)	3.71 (.146)	3.23 (.127)	(.092)
8	5.84 (.230)	6.81 (.268)	7.442 (.2930)	7.06 (.278)	6.50 (.256)	5.49
	5.77 (.227)	6.71 (.264)	4.366 (.2900)	6.93 (.273)	6.38 (.251)	(.216)

## NOTES:

1. Dimensions are in millimeters.
2. Inch-pound equivalents are in parentheses and are for information only.

FIGURE 2. Interface design.

MIL-DTL-83538B

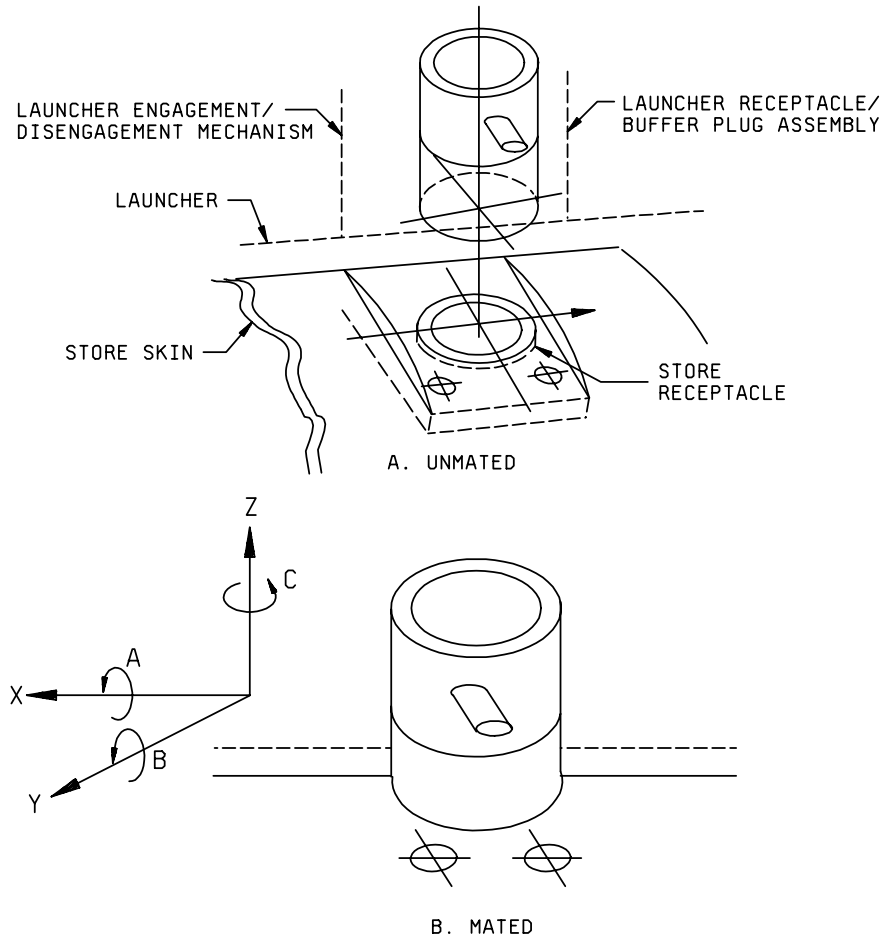
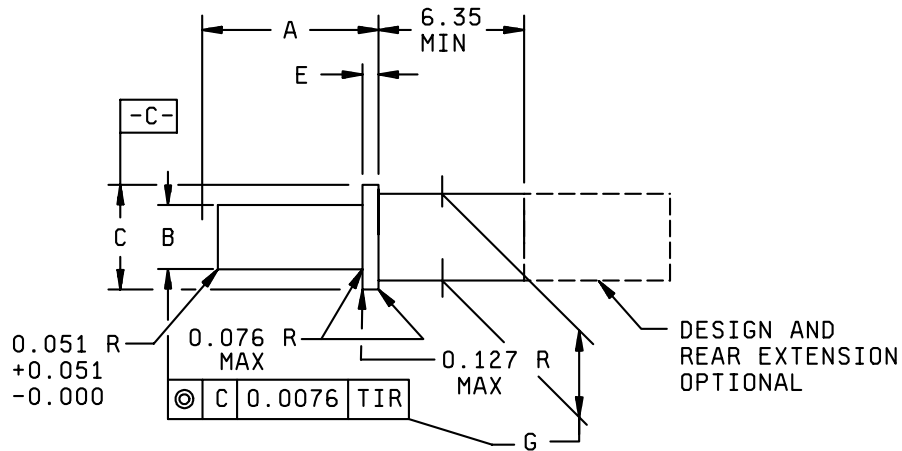


FIGURE 3. Axis and angle definitions.

MIL-DTL-83538B



mm	Inches	mm	Inches
0.000	0.0000	0.127	0.005
0.076	0.00030	6.35	0.250
0.051	0.0020		

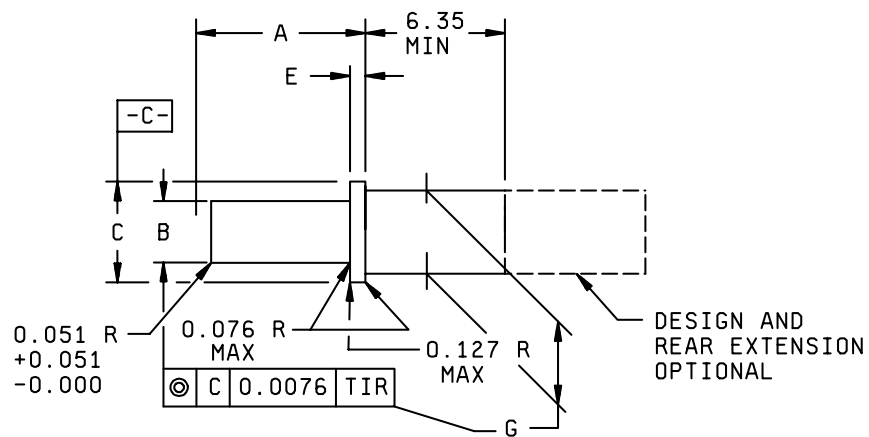
Contact size	A +0.0127 (.00050) -0.0000 (.00000)	B dia +0.0051 (.00020) -0.0000 (.00000)	C dia +0.0051 (.00020) -0.0000 (.00000)	E +0.0000 (.00000) -0.0051 (.00020)	G dia +0.0000 (.00000) -0.0051 (.00020)
20	14.86 (.585)	1.955 (.0770)	2.311 (.0910)	0.838 (.0330)	1.788 (.0704)
16	14.86 (.585)	2.845 (.1120)	3.226 (.1270)	0.838 (.0330)	2.616 (.1030)
12	14.86 (.585)	4.064 (.1600)	4.547 (.1790)	0.838 (.0330)	3.835 (.1510)
8	14.986 (.590)	7.290 (.2870)	7.899 (.3110)	0.838 (.0330)	7.010 (.2760)

NOTES:

1. Dimensions are in millimeters.
2. Inch-pound equivalents are given for general information only.
3. Material: Hardened tool steel.
4. Finish: 32 microinches polished.
5. Use store receptacle and launcher receptacle MIL-DTL-83538/1 and MIL-DTL-83538/4.

FIGURE 4. Test gauge, socket, and location.

## MIL-DTL-83538B



mm	Inches	mm	Inches
0.000	0.0000	0.127	0.005
0.051	0.0020	6.35	0.250
0.076	0.0030		

Contact size	A	B dia	C dia	E	G dia
	+0.0127 (.00050) -0.0000 (.00000)	+0.0051 (.00020) -0.0000 (.00000)	+0.0051 (.00020) -0.0000 (.00000)	+0.0000 (.00000) -0.0051 (.00020)	+0.0000 (.00000) -0.0051 (.00020)
20	15.90 (.626)	1.956 (.0770)	2.311 (.0910)	0.8382 (.03300)	1.778 (.0700)
16	15.90 (.626)	2.845 (.1120)	3.226 (.1270)	0.8382 (.03300)	2.616 (.1030)
12	15.90 (.626)	4.064 (.1600)	4.547 (.1790)	0.8382 (.03300)	3.835 (.1510)
8	16.027 (.631)	7.290 (.2870)	7.899 (.3110)	0.8382 (.03300)	7.010 (.2760)

## NOTES:

1. Dimensions are in millimeters.
2. Inch-pound equivalents are given for general information only.
3. Material: Hardened tool steel.
4. Finish: 32 microinches polished.
5. Use with store receptacle and launcher receptacle MIL-DTL-83538/1 and MIL-DTL-83538/4.

FIGURE 5. Test gauge, socket, and retention.

MIL-DTL-83538B

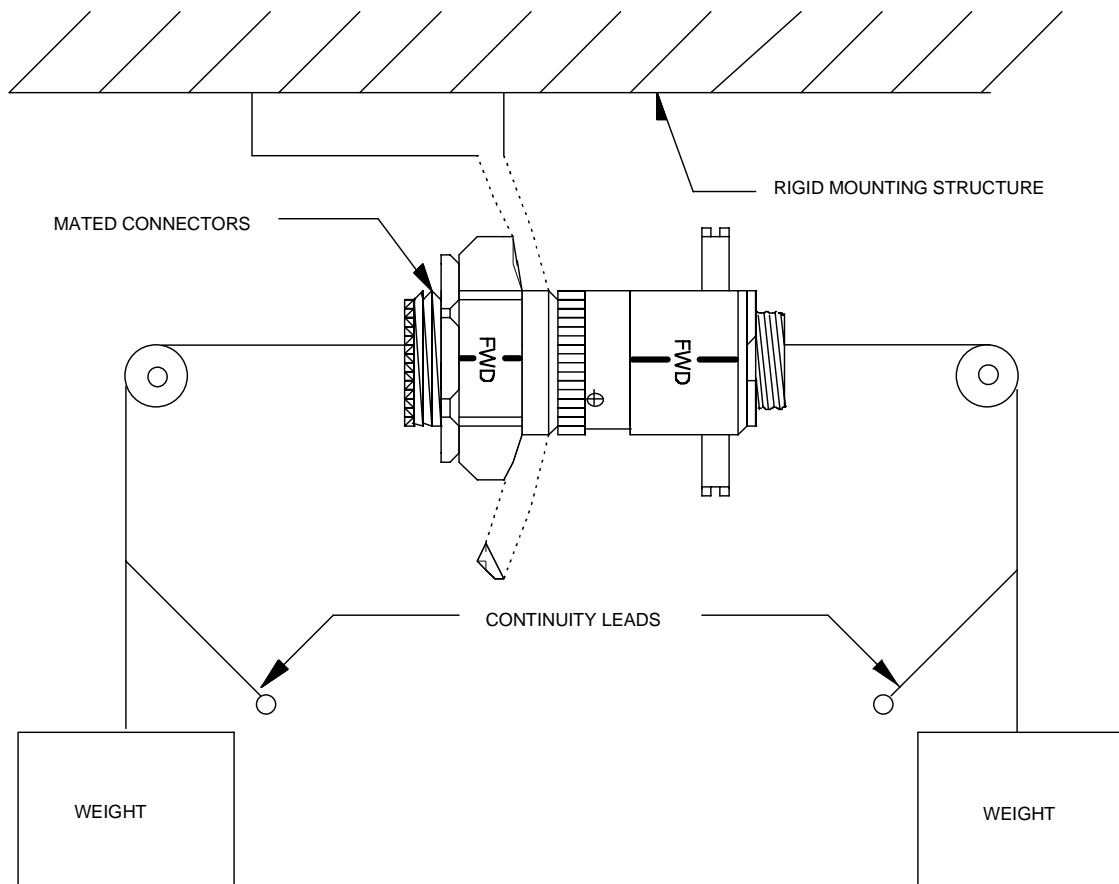


FIGURE 6. Typical fixturing for high temperature exposure with contact loading (orientation optional).



MIL-DTL-83538B

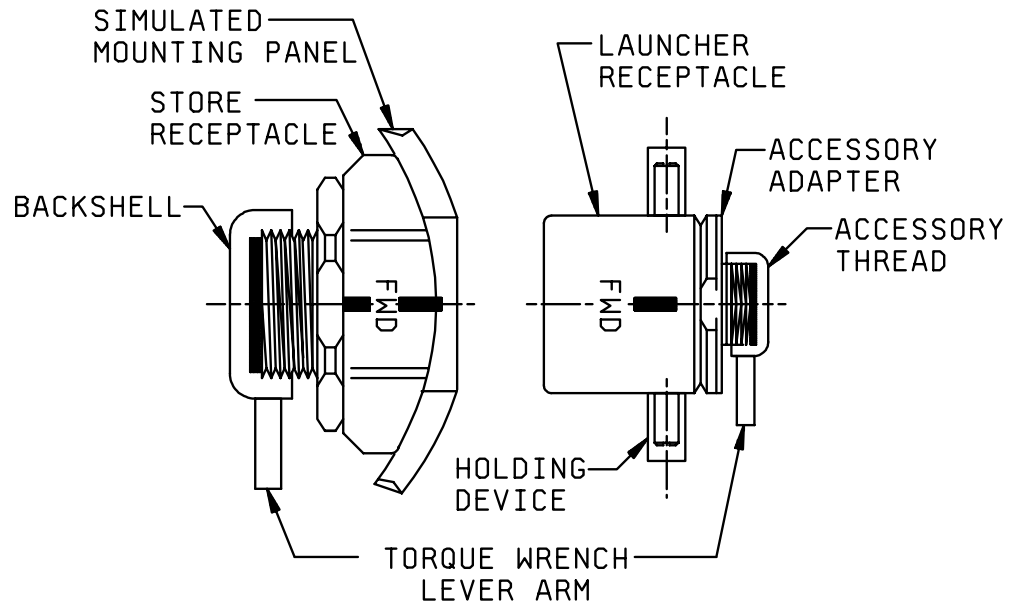


FIGURE 7. Rear accessory thread strength test setup.

MIL-DTL-83538B

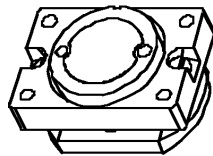
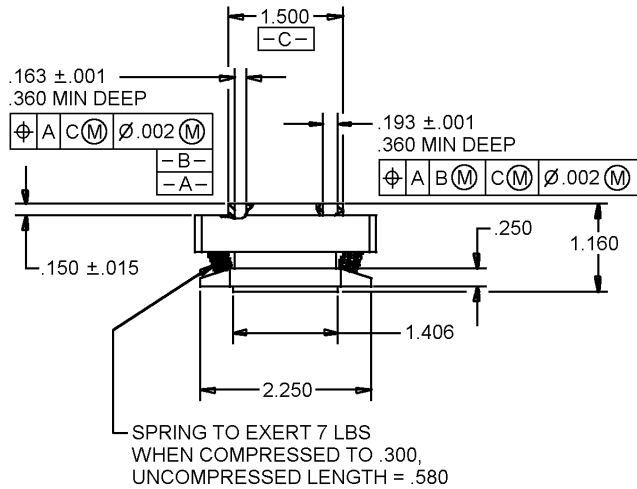
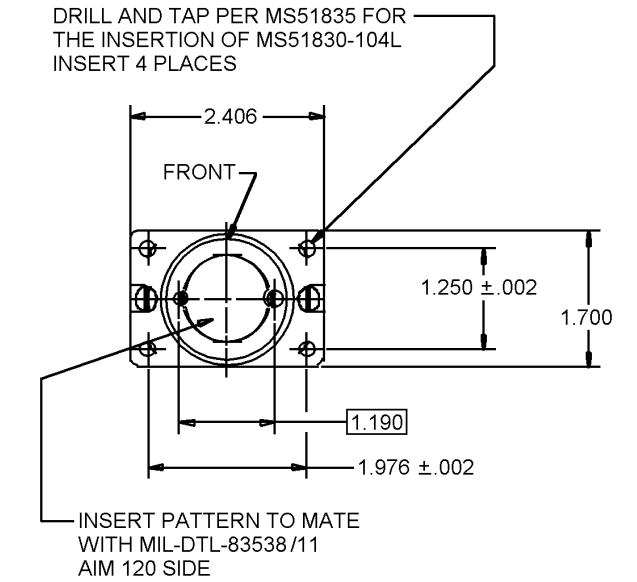


FIGURE 8. Vibration test accessory.

MIL-DTL-83538B

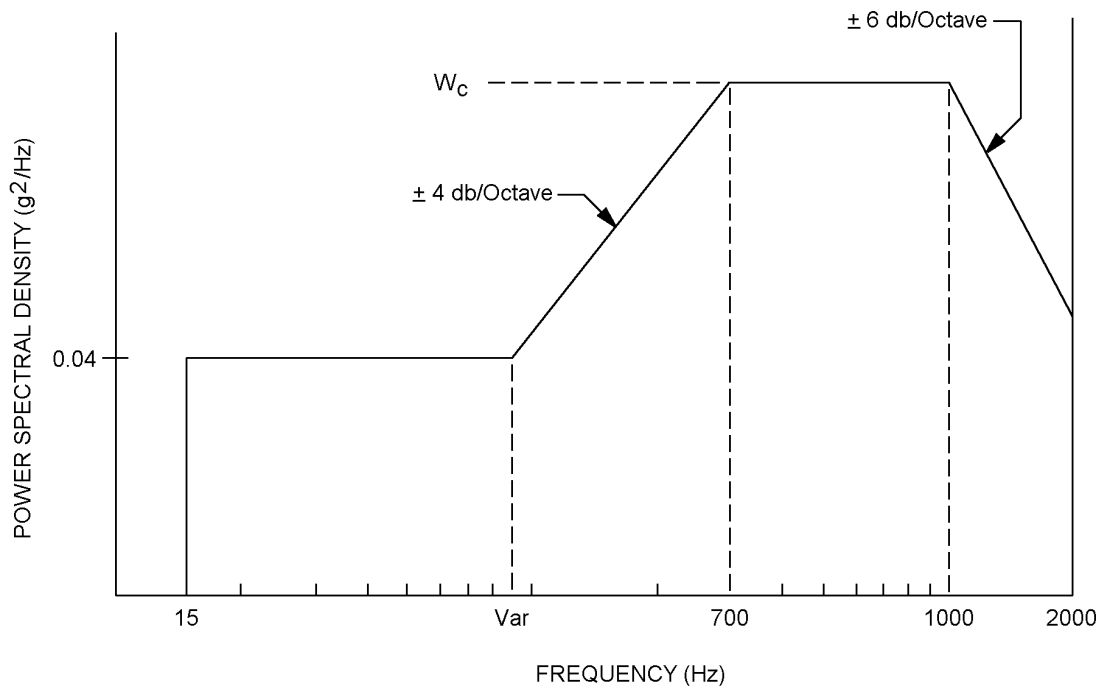


FIGURE 9. Random vibration spectrum for jet aircraft equipment.

MIL-DTL-83538B

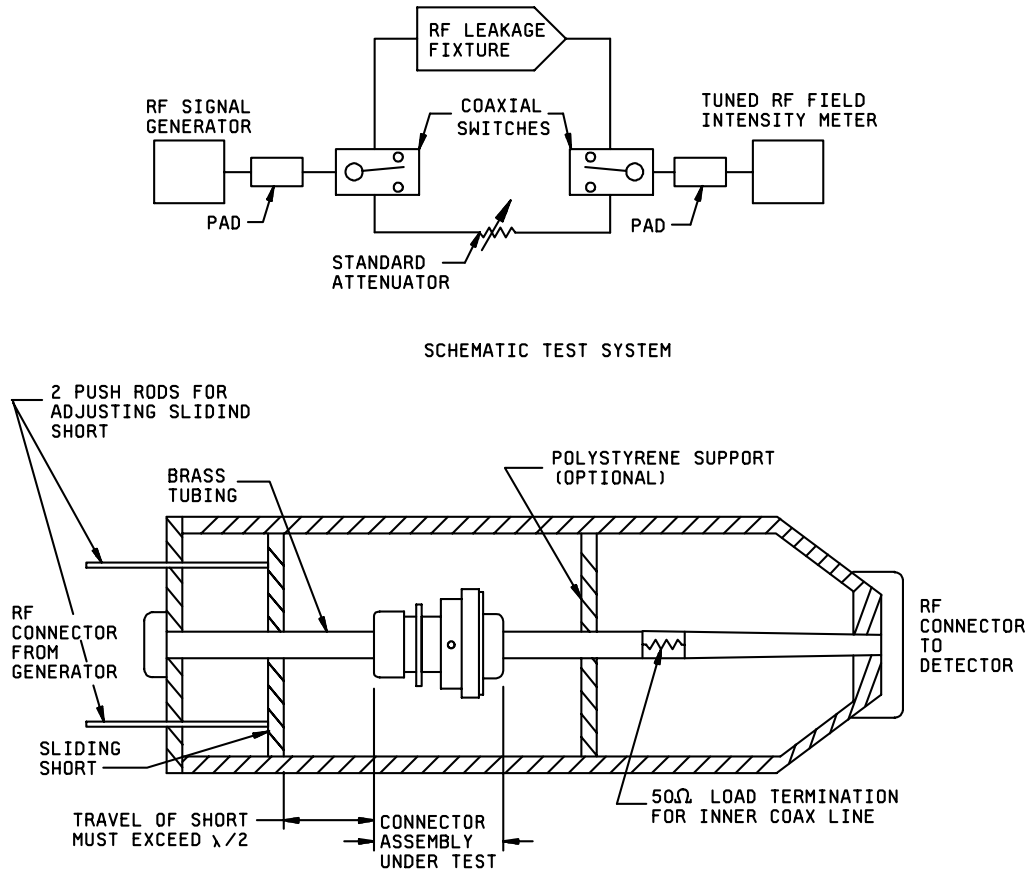
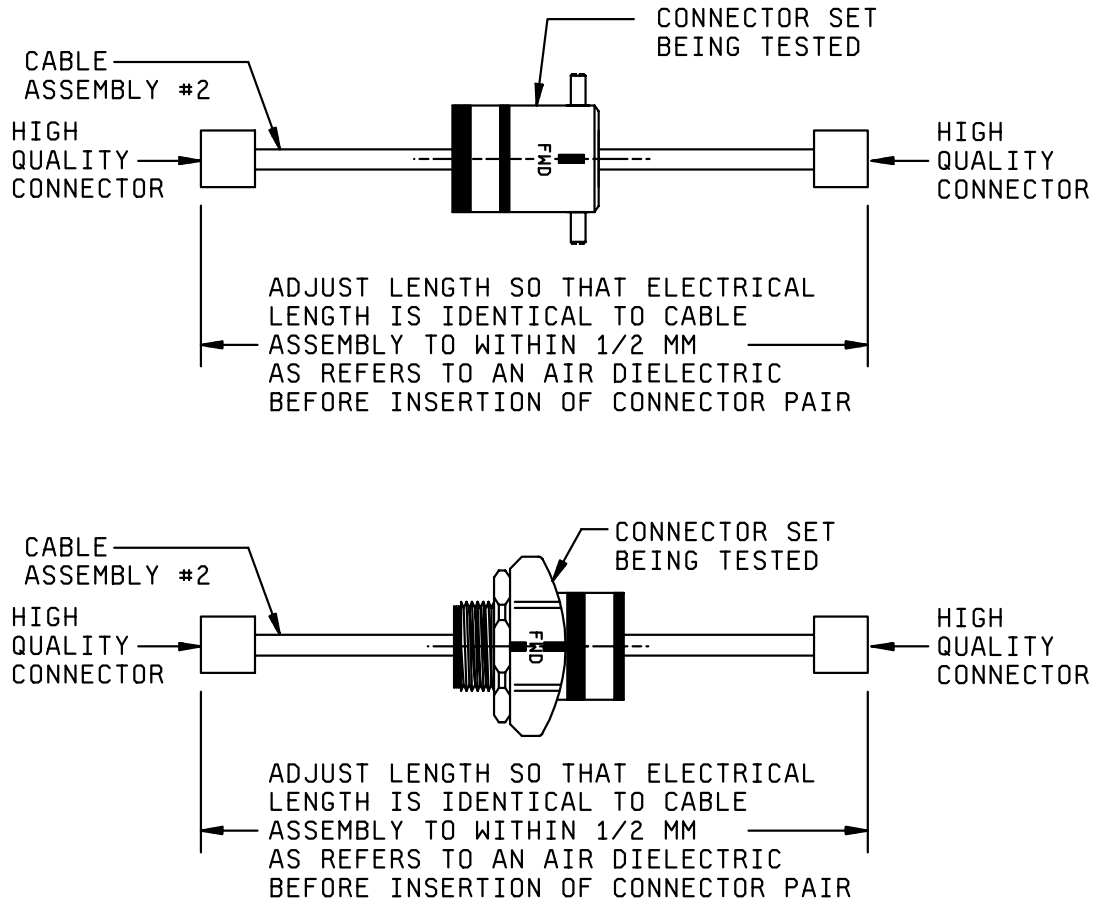


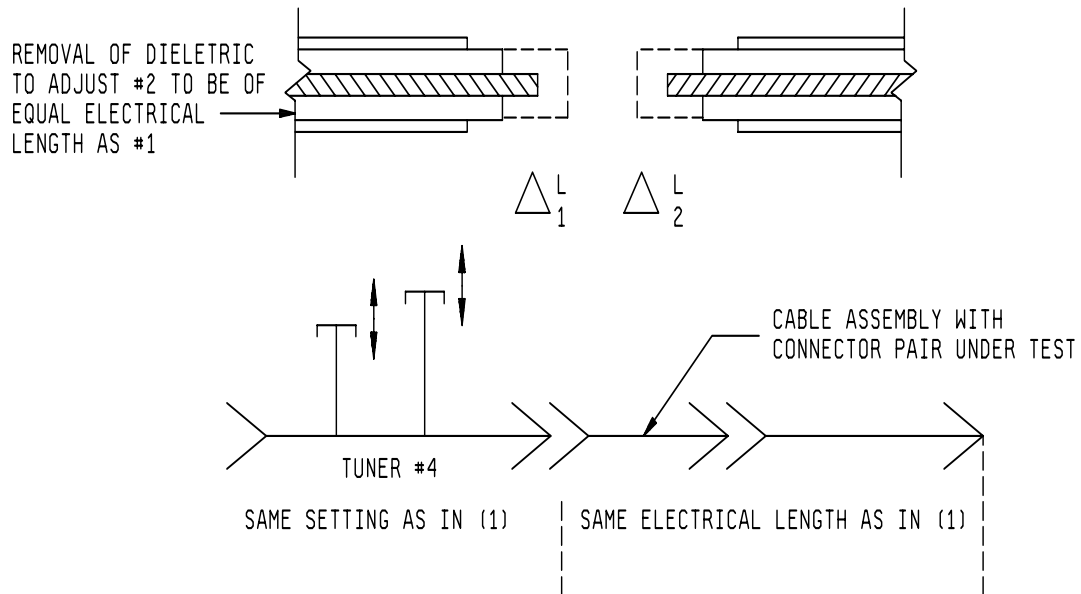
FIGURE 10. RFI leakage test fixture.



MIL-DTL-83538B

FIGURE 11. Method of insertion loss measurement of mated connector - Continued.

MIL-DTL-83538B

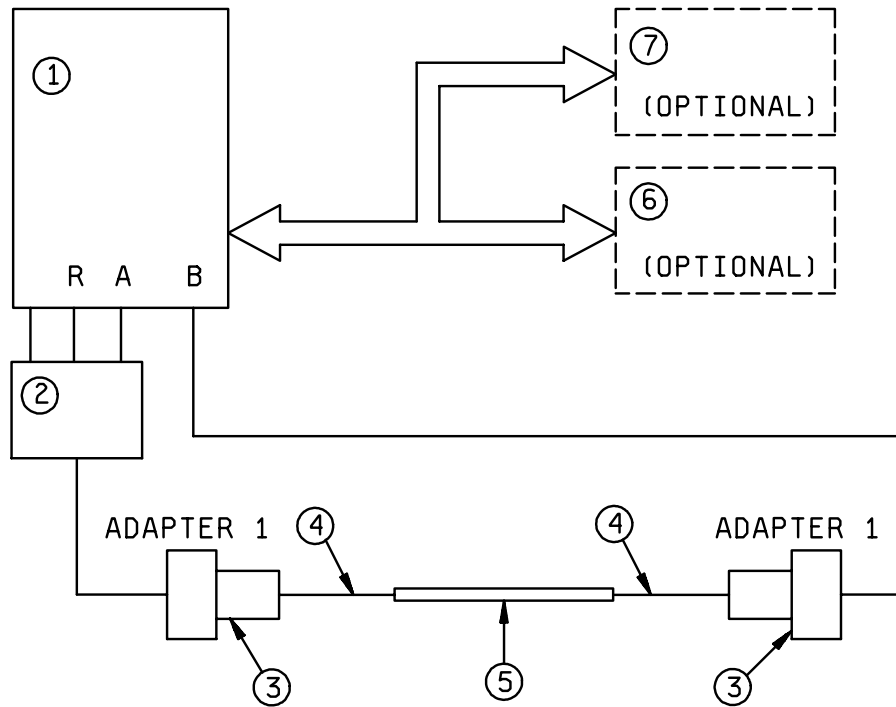


NOTES:

1. Dimensions are in millimeters.
2. Inch-pound equivalents are in parentheses for information only.

FIGURE 11. Method of insertion loss measurement of mated connector - Continued.

## MIL-DTL-83538B

Equipment list

1. Vector network analyzer (HP8753A {OPT 010} or equivalent).
2. Transmission/reflection test set (HP85044A or equivalent).
3. Adapters.
4. M17/113-RG316 cable.
5. Mated contact pair (contact under test).
6. X-Y plotter.
7. Test controller (computer).

FIGURE 12. VSWR test setup.



MIL-DTL-83538B

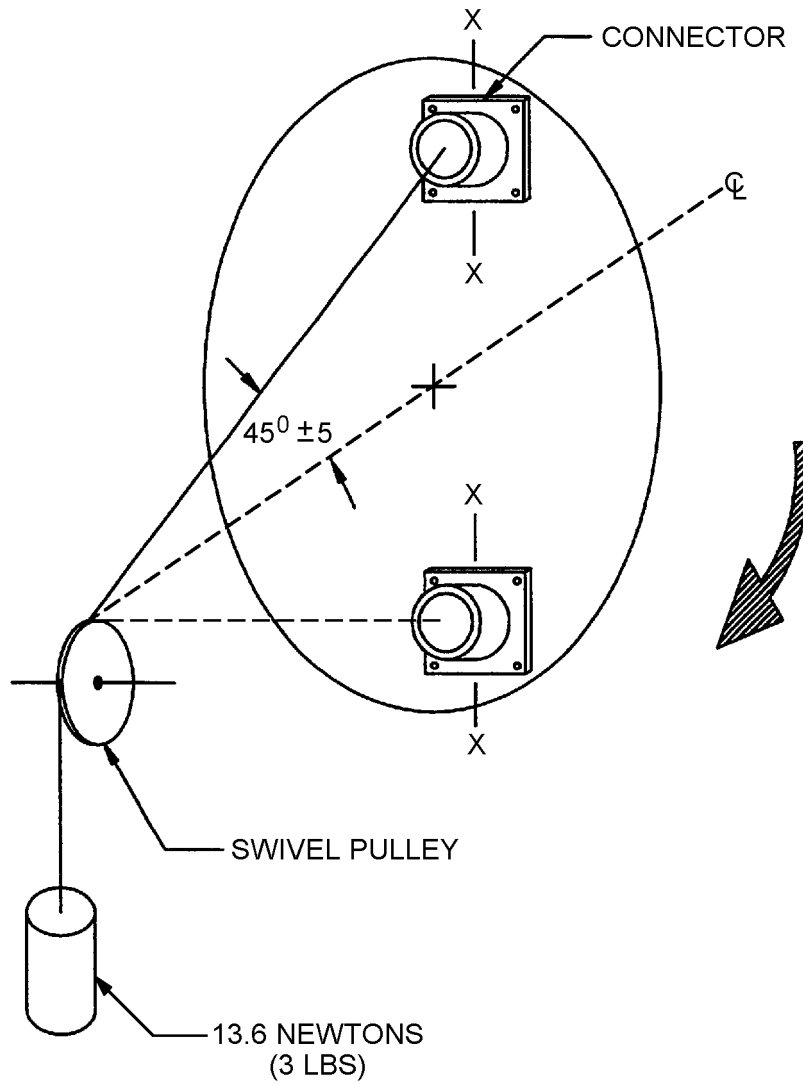


FIGURE 13. Contact walk-out test setup.

MIL-DTL-83538B

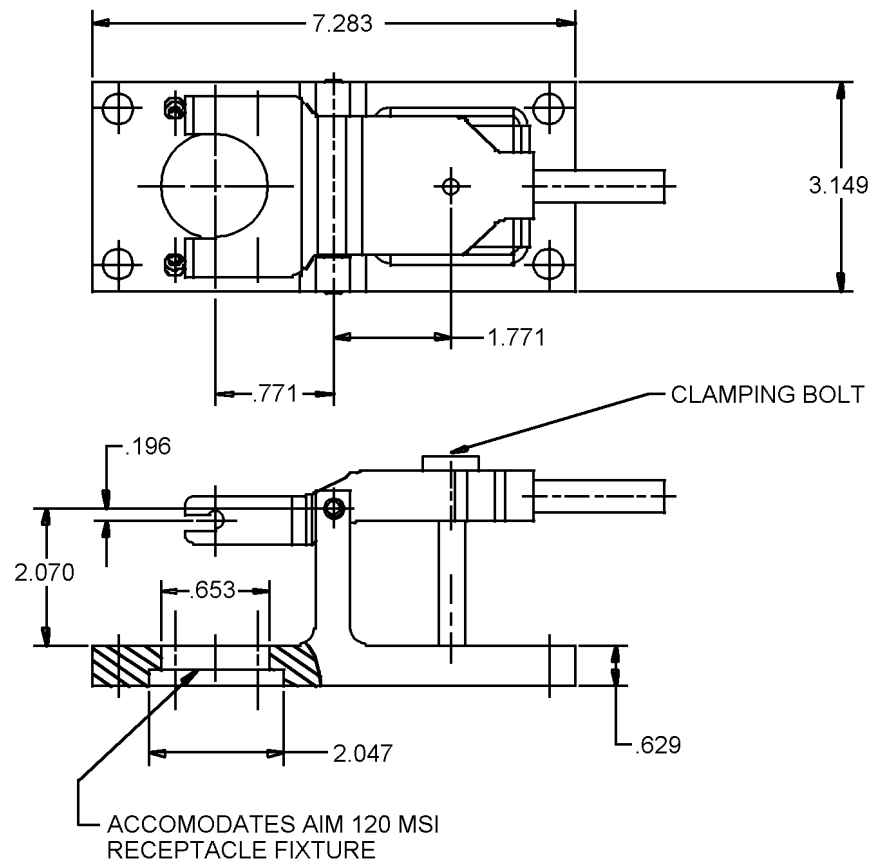


FIGURE 14. Typical fixturing for tests requiring mated connectors.

MIL-DTL-83538B

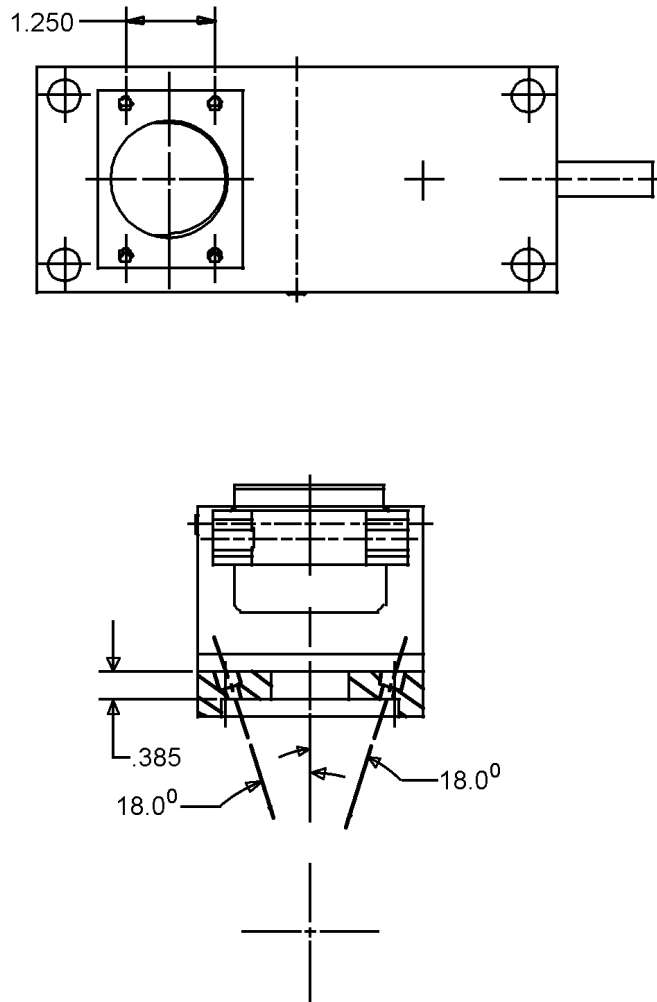


FIGURE 14. Typical fixturing for tests requiring mated connectors - Continued.

MIL-DTL-83538B

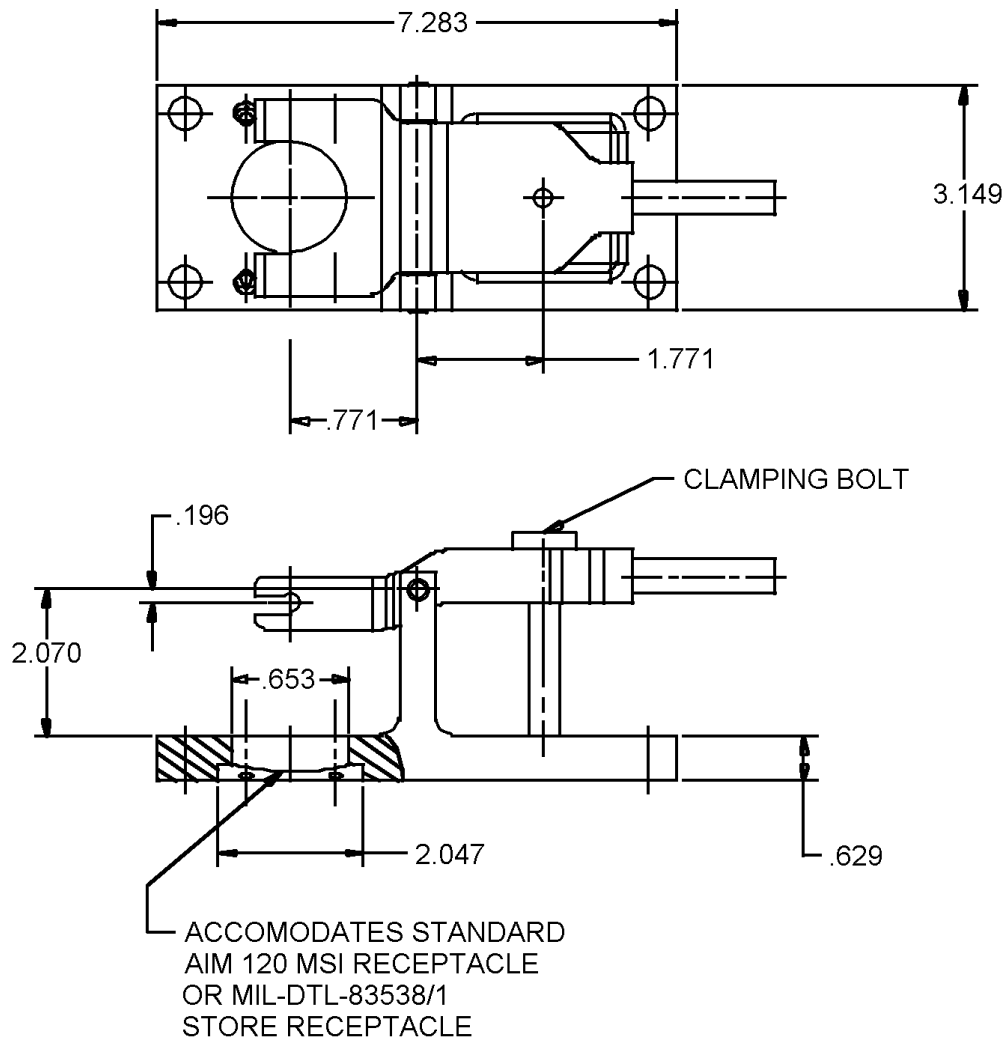


FIGURE 14. Typical fixturing for tests requiring mated connectors - Continued.

MIL-DTL-83538B

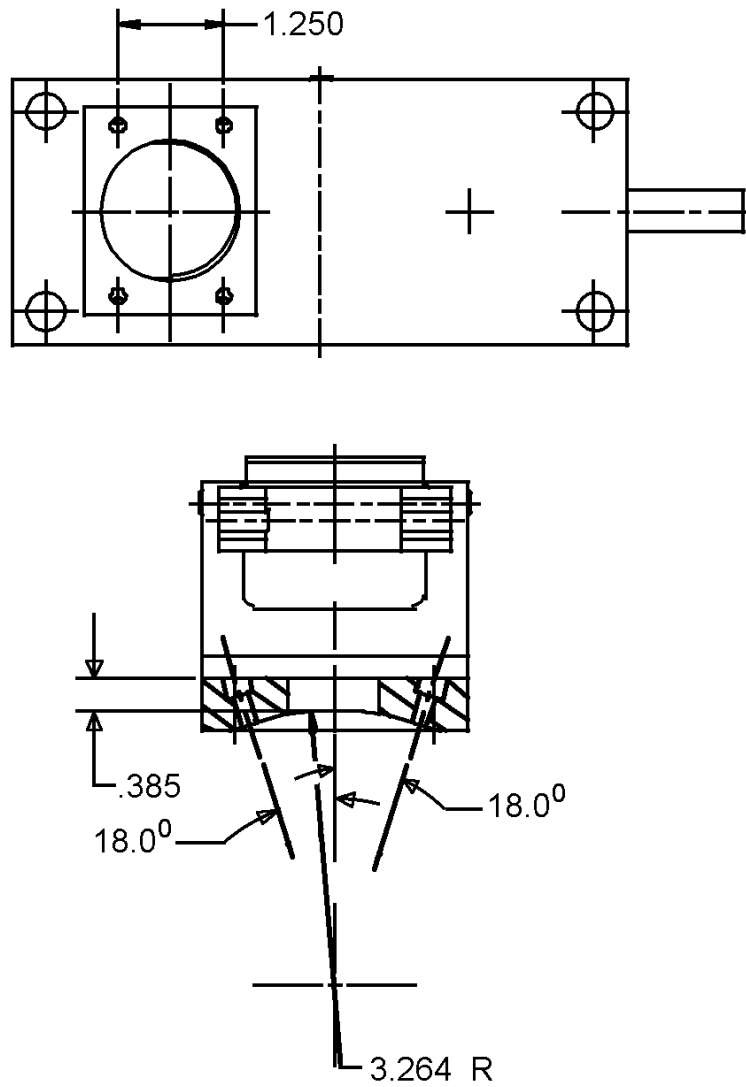


FIGURE 14. Typical fixturing for tests requiring mated connectors - Continued.

MIL-DTL-83538B

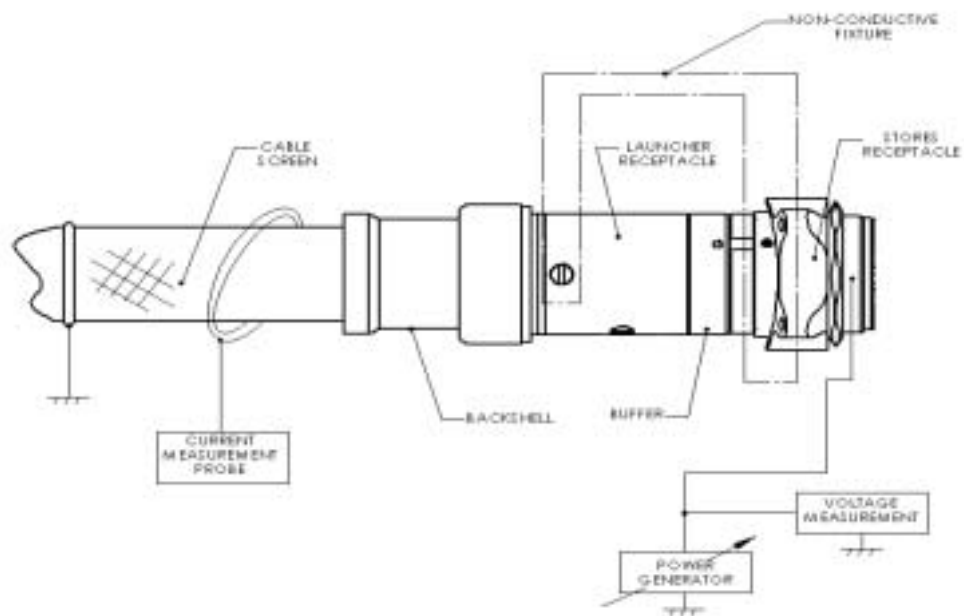


FIGURE 15. Typical test arrangement for launcher/buffer/store set.

MIL-DTL-83538B

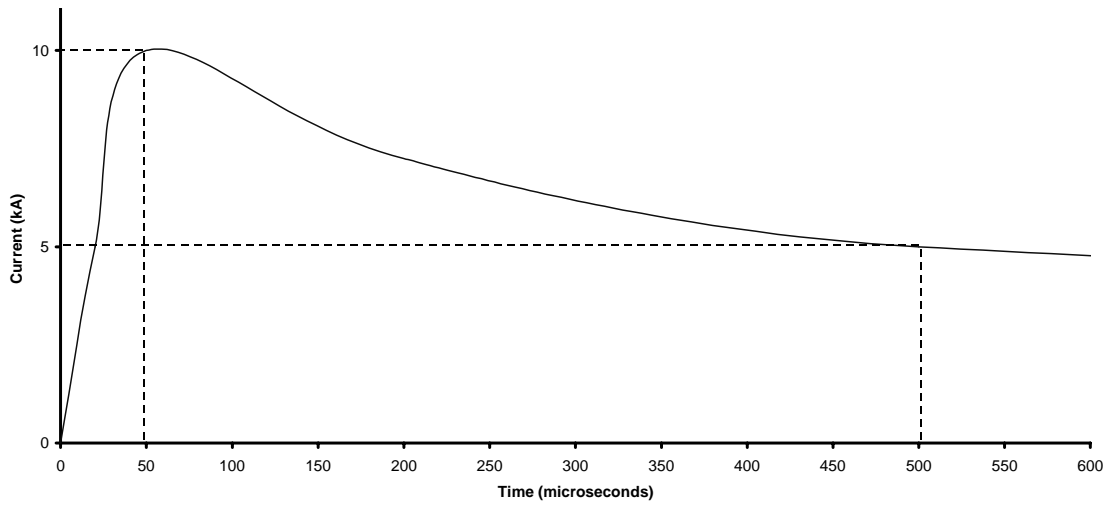


FIGURE 16. Slow lightning current pulse maximum amplitude 10kA.

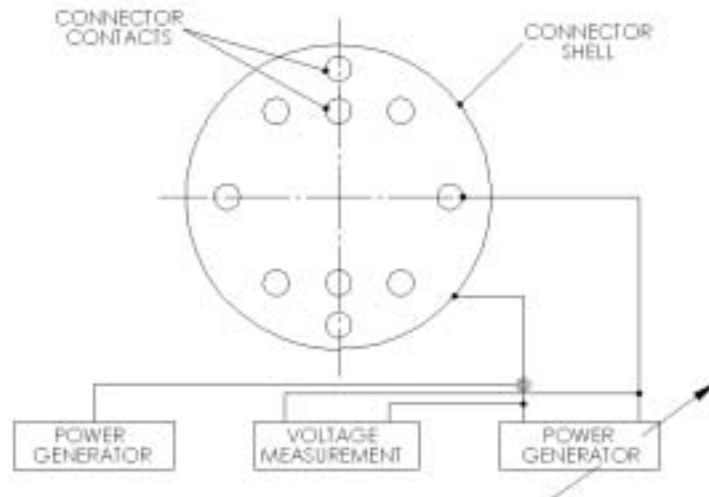


FIGURE 17. Typical test arrangement for testing between contact and shell.

MIL-DTL-83538B

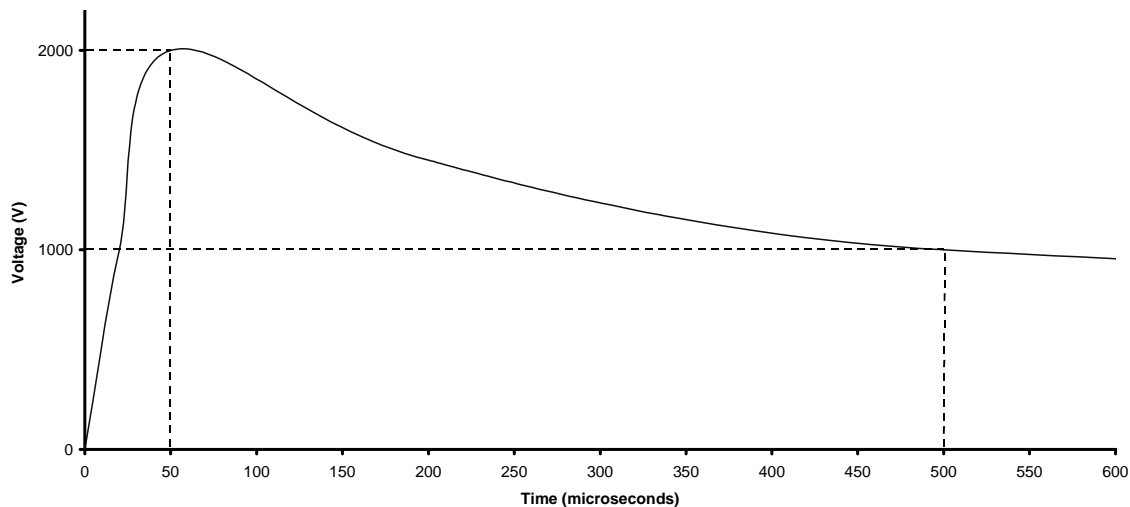


FIGURE 18. Slow lightning voltage pulse maximum amplitude 2kV.

CONCLUDING MATERIAL

Custodians:

Army - CR  
Navy - AS  
Air Force - 11  
DLA - CC

Preparing activity:  
DLA -CC

(Project 5935-4586-000)

Review activities:

Army - AR, MI  
Navy - EC, MC, OS  
Air Force - 19, 99

NOTE: The activities listed above were interested in this document as of the date of this document. Since organizations and responsibilities can change, you should verify the currency of the information above using the ASSIST Online database at <http://www.dodssp.daps.mil>.