

INCH-POUND

MIL-DTL-83413/10C

w/AMENDMENT 1

29 May 2015

SUPERSEDING

MIL-DTL-83413/10C

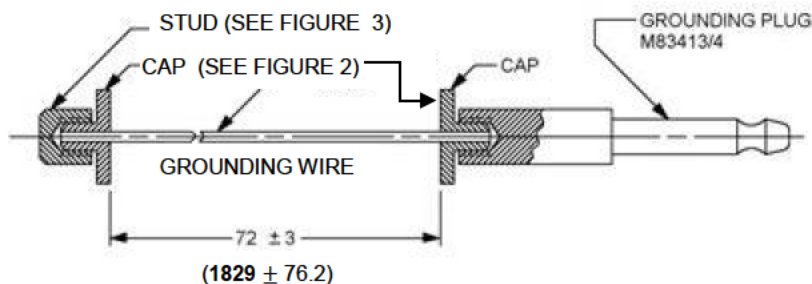
19 May 2010

## DETAIL SPECIFICATION SHEET

CONNECTORS AND ASSEMBLIES, ELECTRICAL, AIRCRAFT  
GROUNDING: JUMPER CABLE ASSEMBLY, AIRCRAFT TO  
FUEL NOZZLE, DISCHARGER, ELECTROSTATIC

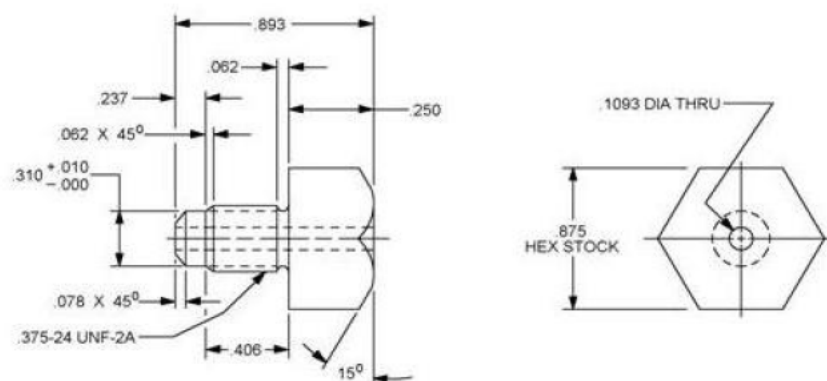
This specification is approved for use by all Departments and Agencies of the Department of Defense.

The requirements for acquiring the product described herein shall consist of this specification sheet and MIL-DTL-83413.



## NOTES:

1. Dimensions are in inches.
2. Metric equivalents are given for general information only.
3. Unless otherwise specified, tolerance is  $\pm .016$  (0.041 mm).
4. The cap on this assembly is not used on plug PIN M83413/4-1.

FIGURE 1. Jumper cable assembly.FIGURE 2. Cap.

AMSC N/A

FSC 5935



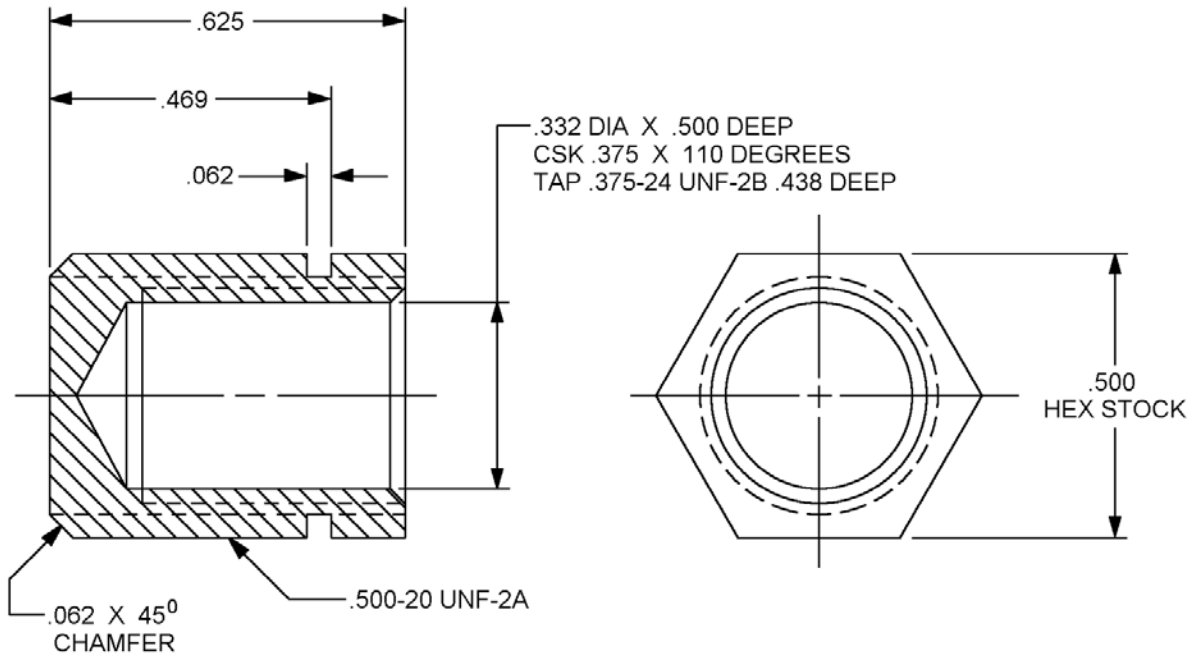
MIL-DTL-83413/10C  
w/AMENDMENT 1

Inches	mm
.010	.25
.062	1.57
.078	1.98
.237	6.02
.250	6.35
.310	7.87
.406	10.31
.875	22.23
.893	22.68

NOTES:

1. Dimensions are in inches.
2. Metric equivalents are given for general information only.

FIGURE 2. Cap – Continued.



STUD

NOTES:

1. Dimensions are in inches.
2. Metric equivalents are given for general information only.

Inches	mm
.062	1.57
.332	8.43
.469	11.91
.500	12.70
.625	15.87

FIGURE 3. Stud.

MIL-DTL-83413/10C  
w/AMENDMENT 1

REQUIREMENTS

Grounding plug in accordance with MIL-DTL-83413/4.

Grounding wire 7 X 7 wire in accordance with MIL-DTL-83420, type II, composition B, jacket color translucent or international orange in accordance with FED-STD-595/22510.

Splices shall not be used.

Part or Identifying Number (PIN):

M83413/10-1 is the assembly, see figure 1.

M83413/10-2 is the cap, see figure 2.

QUALIFICATION

Qualification is not required for this specification sheet. First article inspection shall be a visual and mechanical inspection in accordance with MIL-DTL-83413.

Amendment notations. The margins of this specification are marked with vertical lines to indicate modifications generated by this amendment. This was done as a convenience only and the Government assumes no liability whatsoever for any inaccuracies in these notations. Bidders and contractors are cautioned to evaluate the requirements of this document based on the entire content irrespective of the marginal notations.

Referenced documents. In addition to MIL-DTL-83413, this document references the following:

MIL-DTL-83413/4  
MIL-DTL-83420  
FED-STD-595/22510

CONCLUDING MATERIAL

Custodians:

Army – AV  
Navy - AS  
Air Force - 85  
DLA - CC

Preparing activity:

DLA - CC

(Project 5920-2015-030)

Review activities:

Army - AR, CR, CR4, MI  
Navy - MC  
Air Force – 99

Note: The activities listed above were interested in this document as of the date of this document. Since organization and responsibilities can change, you should verify the currency of the information above using the ASSIST Online database at <https://assist.dla.mil/>.