

INCH-POUND

MIL-DTL-6363/1C
 30 September 1997
 SUPERSEDING
 MIL-L-6363/1B
 15 September 1989

DETAIL SPECIFICATION SHEET

LAMPS, INCANDESCENT, AIRCRAFT USE, SINGLE CONTACT
 BAYONET CANDELABRA BASE, REFLECTOR TYPE

This specification is approved for use by all Departments and Agencies
 of the Department of Defense

The requirements for acquiring the product described herein shall consist of this specification
 and MIL-DTL-6363.

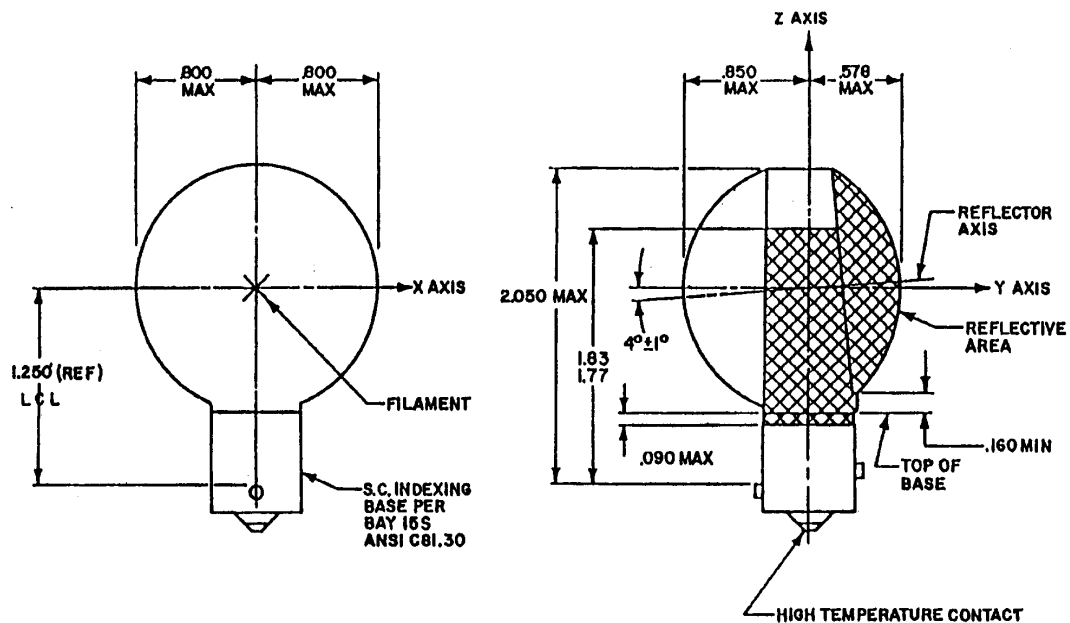


FIGURE 1. Configuration and dimensions.

See NOTES on the next page.

AMSC N/A

1 of 5

FSC 6240

DISTRIBUTION STATEMENT A. Approved for public release; distribution is unlimited.

MIL-DTL-6363/1C

NOTES:

1. Dimensions are in inches. Unless otherwise specified, tolerances: decimals ± 0.010 inch, angles $\pm 0.5^\circ$.
2. Intended use - aircraft navigational light assemblies conforming to MIL-L-21652 (MS21972 and MS25277) and similar.
3. For design feature purposes, this specification takes precedence over procurement documents referenced herein.

REQUIREMENTS:

1. Configuration and dimensions: See figure 1.
2. Finish: Glass globe shall be clear except where reflector surface is required.
3. Lamp operating characteristics: When operating at rated voltage (DC), the lamp operating characteristics shall be as specified in table I.

TABLE I. Part numbers and operating characteristics.

Military Part Number	Type Per MIL-DTL-6363	Temp Rating Continuous Operation ^{1/}		Shock Test Level (G's)	Electrical Ratings			Average Rated Lab Life at DC Hours
		°C	°F		Volts (Nom)	Amperes (Max)	Watts (Max)	
		M6363/1-1	II		113	235	90	28.0
M6363/1-2	II	139	275	90	28.0	1.55	43	150
M6363/1-3	II	113	235	135	6.2	6.93		

^{1/} For 70 percent of average rated lab life.

4. Light distribution:

Beam candlepower, 4,800 candelas on reflector axis.

Horizontal and vertical beam spread to 480 candela points, 20° minimum.

5. Coating adhesion: Applicable.
6. High temperature: See table I for applicable high temperature rating.
7. Thermal shock: See table I for applicable high temperature rating.

MIL-DTL-6363/1C

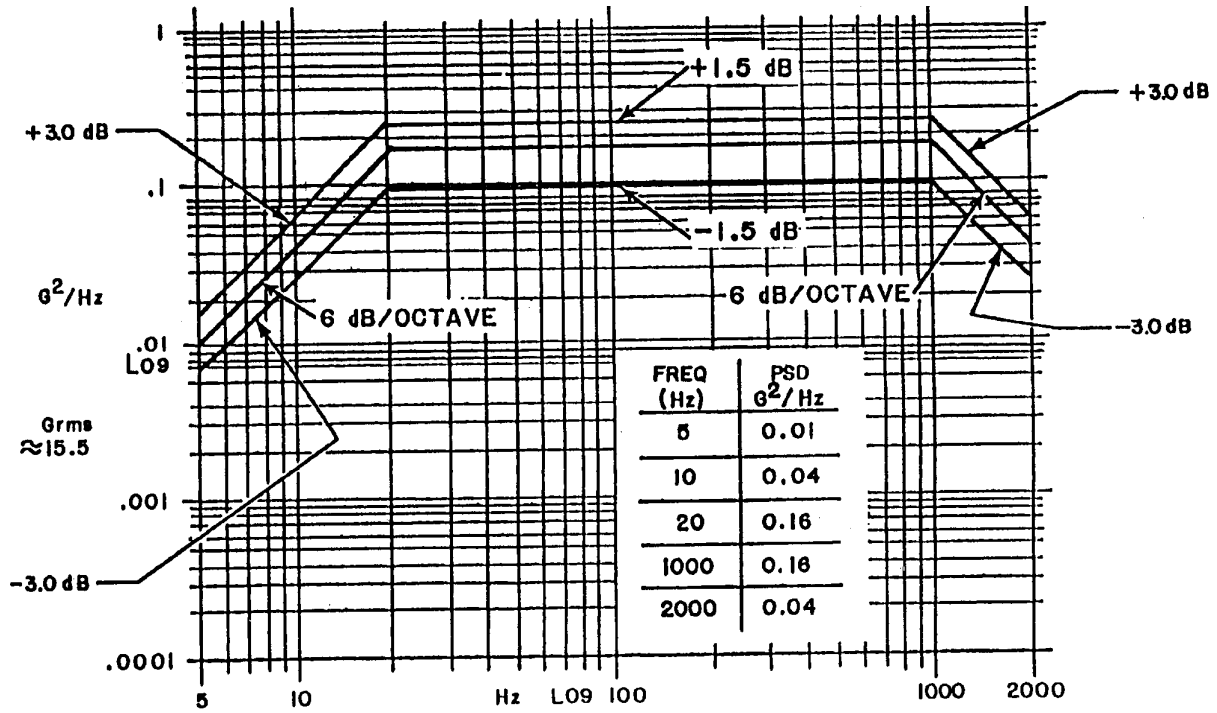


FIGURE 2. Random vibration curve for 28v lamps.

MIL-DTL-6363/1C

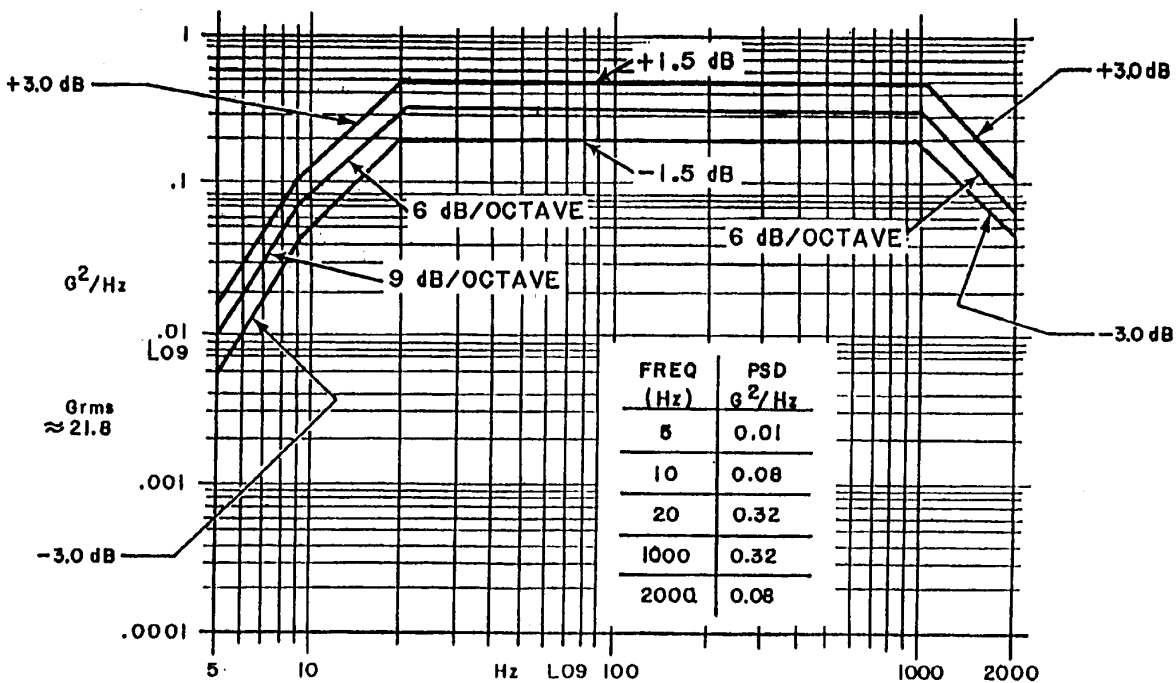


FIGURE 3. Random vibration curve for 6.2v lamps.

8. Random vibration: See figure 2 for 28.0v lamp and figure 3 for 6.2v lamp random vibration curves.

MIL-DTL-6363/1C

9. Shock: See table I for applicable “g” level.
10. Humidity: Applicable.
11. Salt spray: Applicable.
12. Inspection lot vibration screening: Sample size and acceptance level as specified by the procuring activity.
13. Marking: Lamps shall be marked with the applicable military part number from table I, voltage rating, manufacturing lot code, and the manufacturer’s name, CAGE code, abbreviation or trademark. Other military or commercial lamp numbers shall not be marked on the lamps.
14. Interchangeability: These lamps may be similar to, but are not interchangeable with, other commercial or military lamps due to unique aircraft applications and qualification.

There are no technical changes in this revision.

CONCLUDING MATERIAL

Custodians:

Army - AV
Navy - AS
Air Force - 99

Preparing activity

Navy - AS
(Project 6240-1441-01)

Review activities:

Navy - MC, SH
Air Force - 11, 82
DLA - GS