

INCH-POUND

MIL-DTL-45913/3

30 APRIL 1998

SUPERSEDING

MS51943C

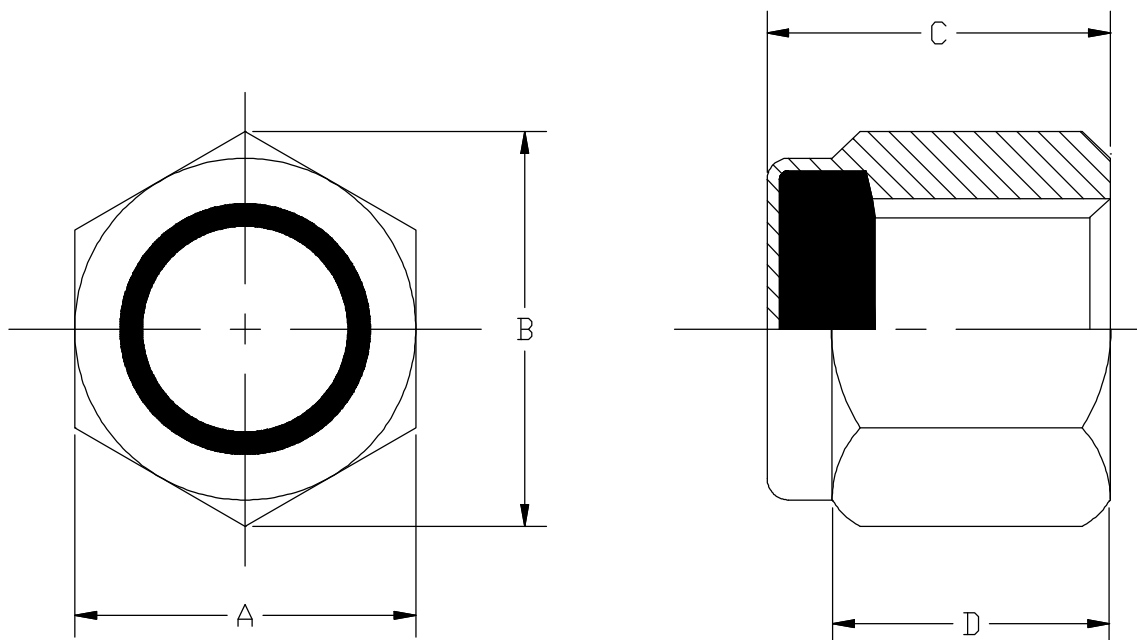
23 June 1976

MILITARY SPECIFICATION SHEET

NUT, SELF-LOCKING, HEXAGON
NON-METALLIC LOCKING FEATURE, 250 DEG F, UNC/ UNF-3B

This specification is approved for use by all Departments
and Agencies of the Department of Defense.

The requirements for acquiring the product described herein shall consist of this specification sheet and the issue of the following specification listed in that issue of the Department of Defense Index of Specification and Standards (DoDISS) specified in the solicitation: MIL-DTL-45913.



NOTES:

1. All dimensions are in inches.

FIGURE 1. NUT, SELF LOCKING, HEX, NON-METALLIC LOCKING FEATURE UNC/UNF-3B

MIL-DTL-45913/3

REQUIREMENTS:

1. MATERIAL.

Steel and alloy steel shall be in accordance with SAE J995 grade 5 or 8, as specified in part-number. Corrosion resisting steel (stainless steel) grades 303 and 316, as specified, shall have a minimum ultimate tensile strength of 70 KSI and shall be non-magnetic.

Copper alloy (brass) shall have a minimum ultimate tensile strength of 58 KSI and be of a half hard temper.

Aluminum alloy shall have a minimum ultimate tensile strength of 62 KSI.

2. PLATING/FINISH.

Steel and alloy steel locknuts shall be cadmium plated per QQ-P-416 Type II, Class 2 or 3, or zinc plated per ASTM B633 Type II, Fe/Zn 8 or uncoated plain with a supplementary lubricant which is clean and dry to the touch.

Stainless steel locknuts shall be passivated per QQ-P-35 or black oxide finish per MIL-C-13924.

Brass locknuts shall be black oxide finished per MIL-F-495, nickel plated per QQ-N-290, Class 2, or uncoated plain with a brite finish.

Aluminum locknuts shall be anodized clear, no color per MIL-A-8625 (see TABLE II).

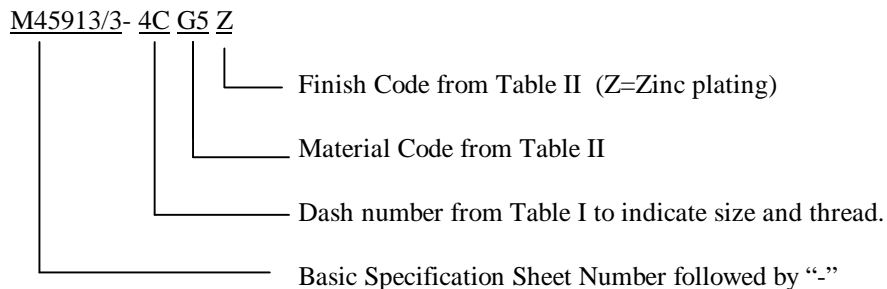
3. SURFACE TEXTURE. Shall be Ra 125 microinches in accordance with ANSI/ASME B46.1.

4. THREADS. Shall be coarse or fine threaded, class 3B, as specified in part-number, in accordance with ASME B1.1.

5. WORKMANSHIP. Parts shall be manufactured and processed with a level of care and workmanship befitting this type of product intended for general purpose military application. Parts shall be free from dirt, grease, loose or deposited foreign materials, sharp edges, burrs, chips, physical malformations or anything that might prevent the part from reliably performing its intended function.

6. PART NUMBER. The part number shall consist of the basic number of this specification sheet, a material code from table II, a dash number from table I, and a finish/plate code (when required) from table II.

EXAMPLE OF PART-NUMBER



M45913/3-4CG5Z = Nut Self-Locking Hexagon, non-metallic locking feature, .250-20 UNC-3B thread, Grade 5 steel, zinc plated.

MIL-DTL-45913/3

TABLE I. DASH NUMBERS AND DIMENSIONS

Dash No.	Thread Size	A		B	C		D
		Width Across Flats		Corners	Thickness		
		MAX	MIN	REF	MAX	MIN	
00F	.060-80 UNF-3B	.111	.104	.116	.055	.080	.045
01C	.073-64 UNC-3B	.251	.243	.268	.153	.133	.081
01F	.073-72 UNF-3B	.251	.243	.268	.153	.133	.081
02C	.086-56 UNC-3B	.251	.243	.268	.153	.133	.081
02F	.086-64 UNF-3B	.251	.243	.268	.153	.133	.081
03C	.099-48 UNC-3B	.251	.243	.268	.153	.133	.081
03F	.099-56 UNF-3B	.251	.243	.268	.153	.133	.081
04C	.112-40 UNC-3B	.251	.243	.268	.153	.133	.081
04F	.112-48 UNF-3B	.251	.243	.268	.153	.133	.081
05C	.125-40 UNC-3B	.251	.243	.268	.153	.133	.081
05F	.125-44 UNF-3B	.251	.243	.268	.153	.133	.081
06C	.138-32 UNC-3B	.313	.305	.339	.188	.168	.103
06F	.138-40 UNF-3B	.313	.305	.339	.188	.168	.103
08C	.164-32 UNC-3B	.345	.336	.374	.239	.219	.140
08F	.164-36 UNF-3B	.345	.336	.374	.239	.219	.140
010C	.190-24 UNC-3B	.376	.367	.410	.249	.229	.140
010F	.190-32 UNF-3B	.376	.367	.410	.249	.229	.140
012C	.216-24 UNC-3B	.439	.430	.482	.328	.298	.225
012F	.216-28 UNF-3B	.439	.430	.482	.328	.298	.225
4C	.250-20 UNC-3B	.439	.428	.482	.328	.298	.225
4F	.250-28 UNF-3B	.439	.428	.482	.328	.298	.225
5C	.312-18 UNC-3B	.502	.489	.552	.359	.329	.250
5F	.312-24 UNF-3B	.502	.489	.552	.359	.329	.250
6C	.375-16 UNC-3B	.564	.551	.622	.468	.438	.335
6F	.375-24 UNF-3B	.564	.551	.622	.468	.438	.335
7C	.437-14 UNC-3B	.627	.616	.698	.468	.438	.324
7F	.437-20 UNF-3B	.627	.616	.698	.468	.438	.324
8C	.500-13 UNC-3B	.752	.736	.837	.609	.579	.464
8F	.500-20 UNF-3B	.752	.736	.837	.609	.579	.464
9C	.562-12 UNC-3B	.877	.861	.978	.656	.626	.469
9F	.562-18 UNF-3B	.877	.861	.978	.656	.626	.469
10C	.625-11 UNC-3B	.940	.922	1.051	.765	.735	.593
10F	.625-18 UNF-3B	.940	.922	1.051	.765	.735	.593
12C	.750-10 UNC-3B	1.064	1.052	1.191	.890	.860	.742
12F	.750-16 UNF-3B	1.064	1.052	1.191	.890	.860	.742
14C	.875-9UNC-3B	1.252	1.239	1.403	.999	.969	.790
14F	.875-14 UNF-3B	1.252	1.239	1.403	.999	.969	.790
16C	1.000-8UNC-3B	1.440	1.427	1.615	1.078	1.016	.825
16F	1.000-12 UNF-3B	1.440	1.427	1.615	1.078	1.016	.825
18C	1.125-7UNC-3B	1.627	1.614	1.826	1.203	1.141	.930
18F	1.125-12 UNF-3B	1.627	1.614	1.826	1.203	1.141	.930
20C	1.250-7UNC-3B	1.815	1.801	2.038	1.422	1.360	1.125
20F	1.250-12 UNF-3B	1.815	1.801	2.038	1.422	1.360	1.125
22C	1.375-6UNC-3B	2.008	1.973	2.232	1.609	1.547	1.282
22F	1.375-12 UNF-3B	2.008	1.973	2.232	1.609	1.547	1.282
24C	1.500-6UNC-3B	2.197	2.159	2.444	1.640	1.578	1.313
24F	1.500-12 UNF-3B	2.197	2.159	2.444	1.640	1.578	1.313

MIL-DTL-45913/3

TABLE II. MATERIAL AND FINISH CODING

MATERIAL CODE		FINISH CODE	
Steel Grade 5	G5	Cadmium	C
Steel Grade 8	G8	Zinc	Z
Stainless Steel 303	S3	Black Oxide	B
Stainless Steel 316	S6	Nickel	N
Brass	BB	Anodized	no code (aluminum only)
Aluminum	AA	Passivate	no code (stainless only)
		Uncoated	no code

NOTE: See requirement 2 for compatibility of material and finish.

NOTES:

1. Dimensions in inches, unless specified, tolerance: $\pm .016$.
2. Interpret drawing in accordance with ASME Y14.5M.
3. Break all Sharp edged .003 to .005 and remove all burrs and slivers.
4. In the event of a conflict between the text of this document and the references cited herein, the text of this document shall take precedence.
5. Unless otherwise specified, issues of referenced documents are those in effect at the time of solicitation.

Custodians:

Army - AR
Air Force - 82
Navy - OS

Preparing activity
DLA - IS

Review activities:

Army - AV, AT, EA, GL, MI, CR4
Air Force - 99
Navy - AS, MC, YD

(Project 5310-2350-03)