

INCH-POUND

MIL-DTL-3971/2D
 24 January 2001
 SUPERSEDING
 MIL-M-3971/2C
 13 December 1985

DETAIL SPECIFICATION SHEET

METERS, TIME TOTALIZING, NON-HERMETICALLY SEALED,
 ELECTRICAL: TYPE II, 120V, 60CPS AND 120V, 400CPS
 GRADES A AND B, 2 HOLE AND 3 HOLE FLANGE

This specification is approved for use by all Departments and
 Agencies of the Department of Defense.

The complete requirements for procuring meters described herein shall consist of this
 document and the issue in effect of MIL-DTL-3971.

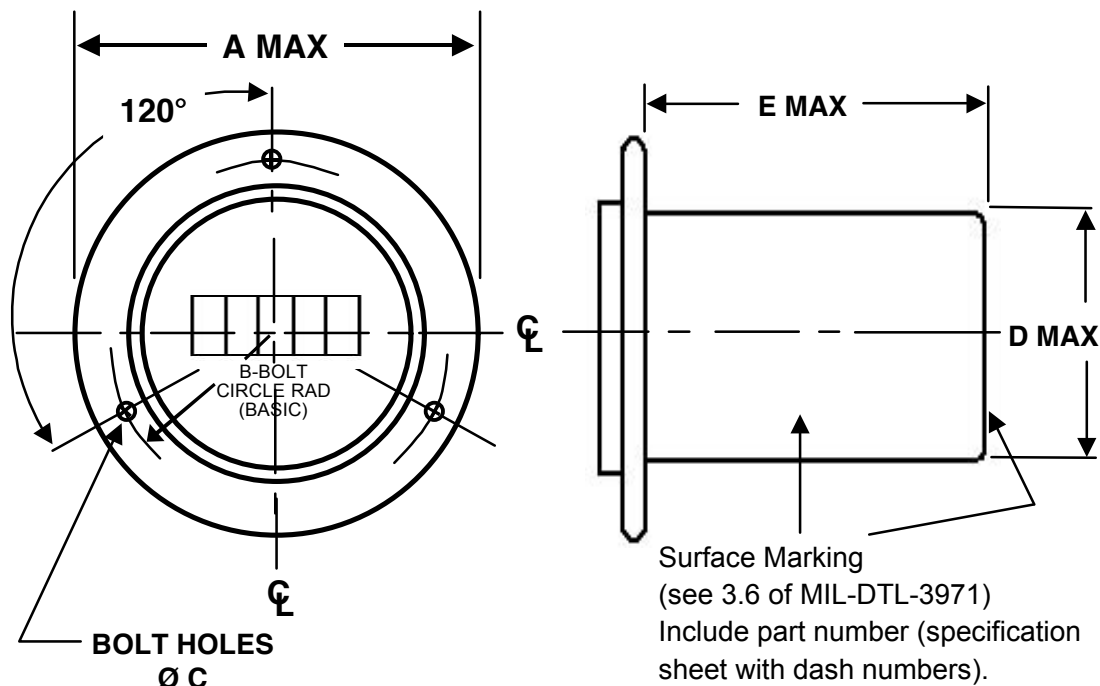


FIGURE 1. Meter with 3 hole flange.

AMSC N/A

FSC 6645

DISTRIBUTION STATEMENT A. Approved for public release; distribution is unlimited.

MIL-DTL-3971/2D

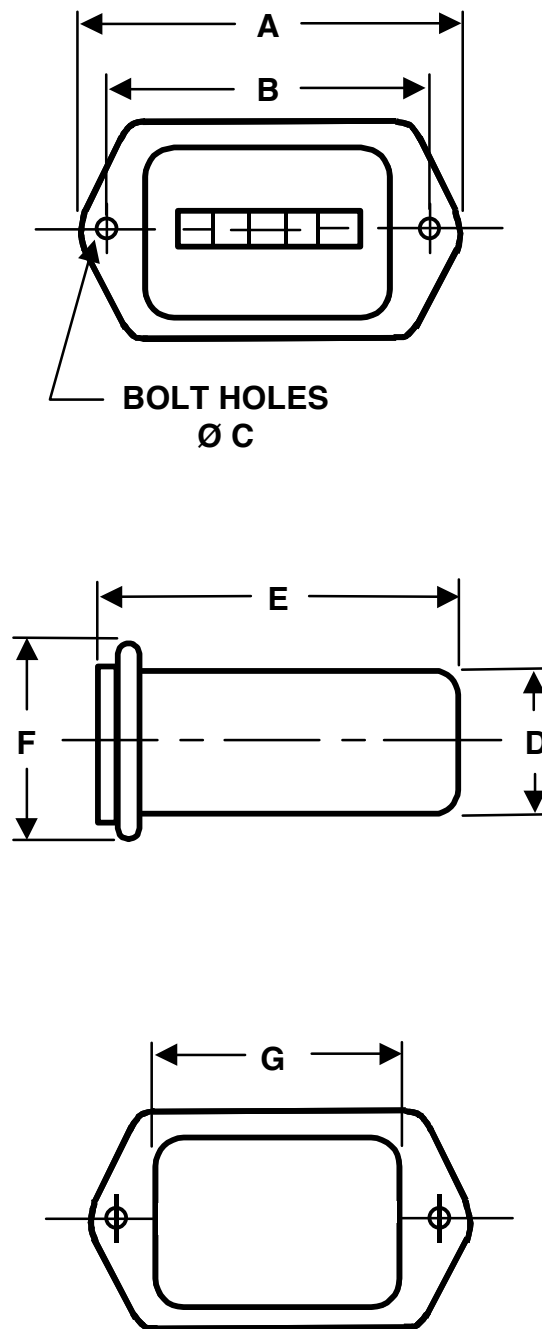


FIGURE 2. Meter with 2 hole flange.

MIL-DTL-3971/2D

TABLE I. Specification data for type II meters.

DASH NO.	FIG	A	B	C	D	E	F	G	Grade	Hz	Range	Readout
1	1	2.695	1.220	.125	2.210	3.00	—	—	A	60	100,000	99999.9
2	1	3.500	1.580	.150	2.625	3.00	—	—	A	60	100,000	99999.9
3	1	2.875	1.265	.150	2.210	3.00	—	—	A	400	10,000	9999.9
4	1	3.500	1.580	.150	2.625	3.00	—	—	A	400	10,000	9999.9
5	1	2.695	1.220	.125	2.210	3.00	—	—	B	60	100,000	99999.9
6	1	3.500	1.580	.150	2.625	3.00	—	—	B	60	100,000	99999.9
7	1	2.875	1.265	.150	2.210	3.00	—	—	B	400	10,000	9999.9
8	1	3.500	1.580	.150	2.625	3.00	—	—	B	400	10,000	9999.9
9	2	2.120	1.750	.045	.936	1.950	1.020	1.450	A	60	100,000	99999.9
10	2	2.120	1.750	.045	.936	1.950	1.020	1.450	B	60	100,000	99999.9

Notes:

- Dimensions are in inches (in.).
- Tolerances: Dimensional ± 0.015 in., bolt holes $\pm .005$ in. unless otherwise indicated.
Angular $\pm 0.5^\circ$.
- Range and readout are in hours and tenths of hours.

1. REQUIREMENTS

1.1 Dimensions of case. See figures 1 and 2 and table I as applicable.

1.2 Colors, elapsed time indicator:

Hours: White on black background

Tenths: Black on white background

1.3 Power consumption. Not applicable.

1.4 Dielectric strength. Voltage – Dash numbers 1,2,5,6,9 & 10 – 1000 volts rms
– Dash numbers 3,4, 7 & 8 – 500 volts rms

Frequency – 60 Hz

Potential – ac

Points of application – Terminals and case

STANDARDIZATION DOCUMENT IMPROVEMENT PROPOSAL

INSTRUCTIONS

1. The preparing activity must complete blocks 1,2,3, and 8. In block 1, both the document number and revision letter should be given.
2. The submitter of this form must complete blocks 4,5,6, and 7.
3. The preparing activity must provide a reply within 30 days from receipt of this form.

NOTE: This form may not be used to request copies of documents, nor to request waivers, or clarification of requirements on current contracts. Comments submitted on this form do not constitute or imply authorization to waive any portion of the referenced document(s) or to amend contractual requirements.

I RECOMMEND A CHANGE

1.DOCUMENT NUMBER

MIL-DTL-3971/2D

2.DOCUMENT DATE (YYMMDD)

010124

 3.DOCUMENT TITLE METERS, TIME TOTALIZING, NON HERMETICALLY SEALED, ELECTRICAL:
TYPE II, 120V, 60CPS AND 120V, 400CPS GRADES A AND B, 2 HOLE AND 3 HOLE FLANGE

4.NATURE OF CHANGE(Identify paragraph number and include proposed rewrite, if possible. Attach extra sheets as needed.)

5.REASON FOR RECOMMENDATION

6.SUBMITTER

a.NAME (Last, First, Middle Initial)

b.ORGANIZATION

c.ADDRESS (Include Zip Code)

d.TELEPHONE (Include Area Code)

(1)Commercial

 7.DATE
SUBMITTED
(YYMMDD)

(2)DSN(If applicable)

8.PREPARING ACTIVITY

a.NAME

L. Craig Hammond

b.TELEPHONE (Include Area Code)

 (1) Commercial (2) DSN
(804) 279-5019 695-5019

c.ADDRESS (Include Zip Code)

 ATTN: DSCR-VBD
Defense Supply Center Richmond
Richmond, VA 23297-5610

IF YOU DO NOT RECEIVE A REPLY WITHIN 45 DAYS, CONTACT:

 Defense Standardization Program Office
8725 John J. Kingman Road, Suite 2533
Fort Belvoir, Virginia 22060-6221
Telephone (703) 767-6888 DSN 427-6888