

METRIC

MIL-DTL-38999/26E  
 11 June 2001  
 SUPERSEDING  
 MIL-C-38999/26D  
 7 May 1990

DETAIL SPECIFICATION SHEET

CONNECTORS, ELECTRICAL, PLUG, CIRCULAR, THREADED,  
 STRAIGHT, REMOVABLE CRIMP CONTACTS, SERIES III, METRIC

This specification is approved for use by all Departments  
 and Agencies of the Department of Defense.

The requirements for acquiring the product described herein  
 shall consist of this specification and MIL-DTL-38999.

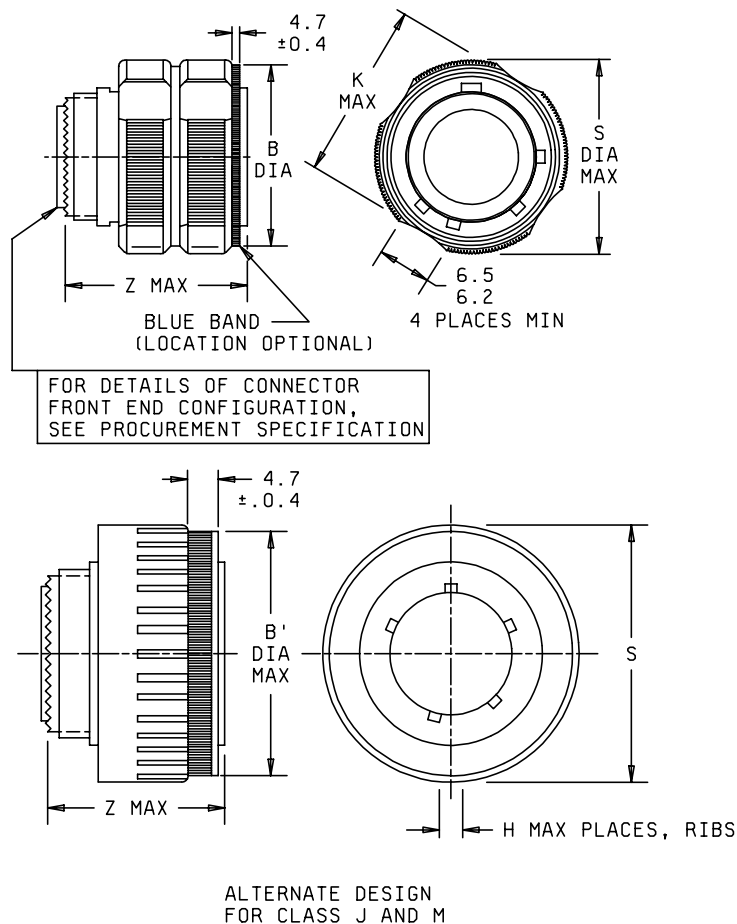


FIGURE 1. Plug, classes F, G, J, K, M, R, S, W and X.

## MIL-DTL-38999/26E

Dimensions							
Shell size	Shell size code	B dia + .2 - .0	B' dia max	H max	K max	S dia max	Z max
9	A	18.4	20.6	12	19.0	21.8	31.0
11	B	21.1	23.6	14	21.9	25.0	31.0
13	C	25.4	28.2	16	26.1	29.4	31.0
15	D	28.7	31.3	18	29.3	32.5	31.0
17	E	32.2	34.5	20	32.8	35.7	31.0
19	F	34.9	37.3	22	35.5	38.5	31.0
21	G	38.1	40.5	24	38.7	41.7	31.0
23	H	41.1	43.7	26	41.7	44.9	31.0
25	J	44.3	46.8	28	44.9	48.0	31.0

NOTE: Dimensions are in millimeters.

FIGURE 1. Plug, classes F, G, J, K, M, R, S, W and X - Continued.

## MIL-DTL-38999/26E

## REQUIREMENTS:

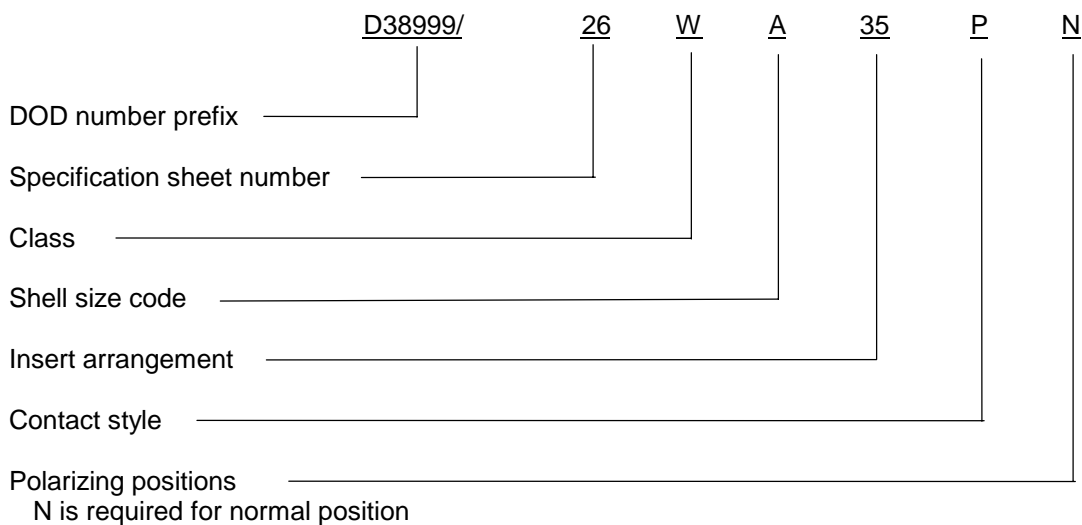
Dimensions and configuration: See figure 1. Interface dimensions shall conform to MIL-DTL-38999.

This connector mates with MIL-DTL-38999/20, /21, /22, /23, /24, /25, and /27

For insert arrangements: See MIL-STD-1560.

Connector accessories: See MIL-C-85049.

Part or Identifying Number (PIN) example:



Class F is not for Navy use and is inactive for Air Force new design use.

NOTE: The term PIN is equivalent to the term (part number, identification number, and type designator) which was previously used in this specification.

## CONCLUDING MATERIAL

Custodians:  
 Army – CR  
 Navy - AS  
 Air Force – 11  
 DLA - CC

Preparing activity:  
 DLA - CC

(Project 5935-4301-07)

Review activities:  
 Army - AR, MI  
 Navy - EC, MC, OS  
 Air Force - 19, 99