

METRIC

MIL-DTL-38999/20F
 17 May 2007
 SUPERSEDING
 MIL-DTL-38999/20E
 11 June 2001

DETAIL SPECIFICATION SHEET

CONNECTORS, ELECTRICAL, CIRCULAR, RECEPTACLE, THREADED,
 WALL MOUNTING FLANGE, REMOVABLE CRIMP CONTACTS, SERIES III, METRIC

This specification is approved for use by all Departments and
 Agencies of the Department of Defense.

The requirements for acquiring the product described herein
 shall consist of this specification sheet and MIL-DTL-38999.

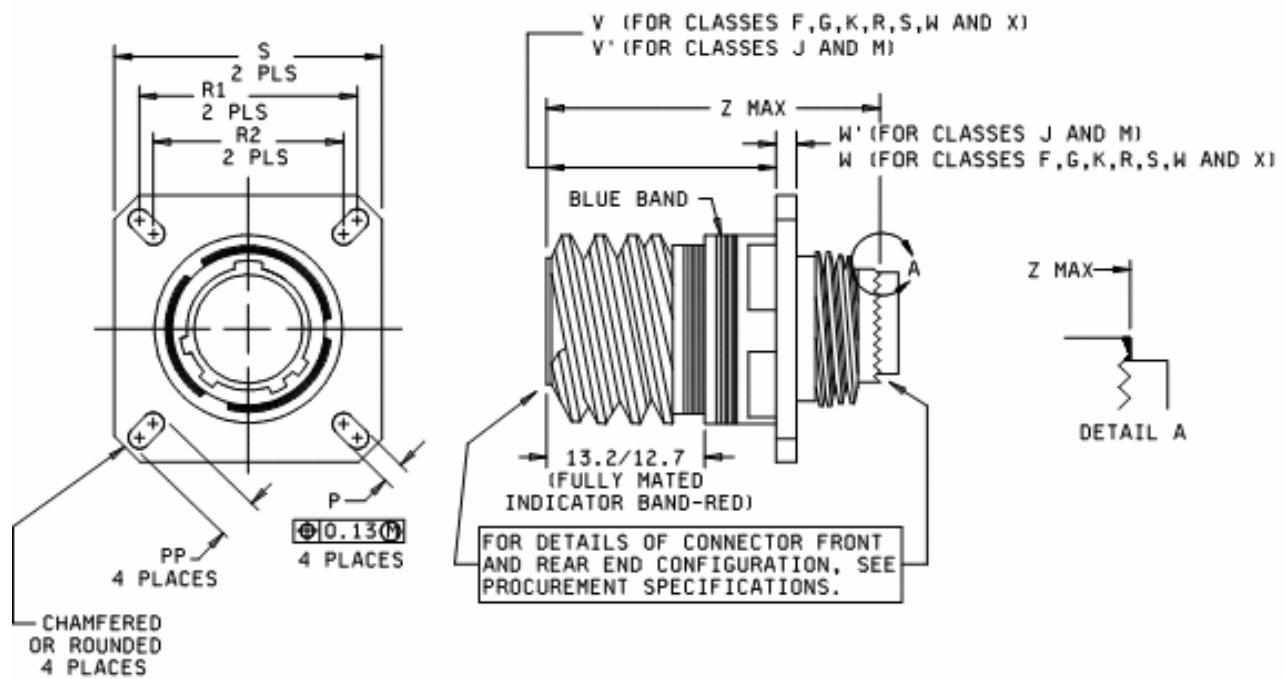


FIGURE 1. Receptacle, classes F, G, J, K, M, R, S, W, and X.

MIL-DTL-38999/20F

Shell size	Shell size code	M (max) Front & rear panel thickness (see note 4)	P ± 0.20	PP ± 0.20	R1 (see note 2)	R2 (see note 3)	S ± 0.3
9	A	5.80 (.228)	3.25 (.128)	5.49 (.216)	18.26 (.719)	15.09 (.594)	23.8 (.937)
11	B		3.25 (.128)	4.93 (.194)	20.62 (.812)	18.26 (.719)	26.2 (1.031)
13	C		3.25 (.128)	4.93 (.194)	23.01 (.906)	20.62 (.812)	28.6 (1.126)
15	D		3.25 (.128)	4.39 (.173)	24.61 (.969)	23.01 (.906)	31.0 (1.220)
17	E		3.25 (.128)	4.93 (.194)	26.97 (1.062)	24.61 (.969)	33.3 (1.311)
19	F		3.25 (.128)	4.93 (.194)	29.36 (1.156)	26.97 (1.062)	36.5 (1.437)
21	G	5.00 (.197)	3.25 (.128)	4.93 (.194)	31.75 (1.250)	29.36 (1.156)	39.7 (1.563)
23	H		3.91 (.154)	6.15 (.242)	34.93 (1.375)	31.75 (1.250)	42.9 (1.689)
25	J		3.91 (.154)	6.15 (.242)	38.10 (1.500)	34.93 (1.375)	46.0 (1.811)

FIGURE 1. Receptacle, classes F, G, J, K, M, R, S, W, and X – Continued.

MIL-DTL-38999/20F

Dimensions						
Shell size	Shell size code	V + 0.00 - 1.25	V' + 1.4 - 0.0	W	W'	Z max
9	A	20.83	19.5	2.5/2.1	3.65/2.1	31.5 (1.240)
11	B	20.83	19.5	2.5/2.1	3.65/2.1	31.5 (1.240)
13	C	20.83	19.5	2.5/2.1	3.65/2.1	31.5 (1.240)
15	D	20.83	19.5	2.5/2.1	3.65/2.1	31.5 (1.240)
17	E	20.83	19.5	2.5/2.1	3.65/2.1	31.5 (1.240)
19	F	20.83	19.5	2.5/2.1	3.65/2.1	31.5 (1.240)
21	G	20.07	18.7	3.2/2.1	4.35/2.1	31.5 (1.240)
23	H	20.07	18.7	3.2/2.1	4.35/2.1	31.5 (1.240)
25	J	20.07	18.7	3.2/2.1	4.35/2.1	31.5 (1.240)

NOTES:

1. Dimensions are in millimeters. Metric equivalent are given for information only.
2. Front or rear panel mounting
3. Front panel mounting only.
4. To insure full mating of the plug or the backshell. It is recommended that the front or rear mounting panel thickness not exceed the M values specified in the table.

FIGURE 1. Receptacle, classes F, G, J, K, M, R, S, W, and X – Continued.

MIL-DTL-38999/20F

REQUIREMENTS:

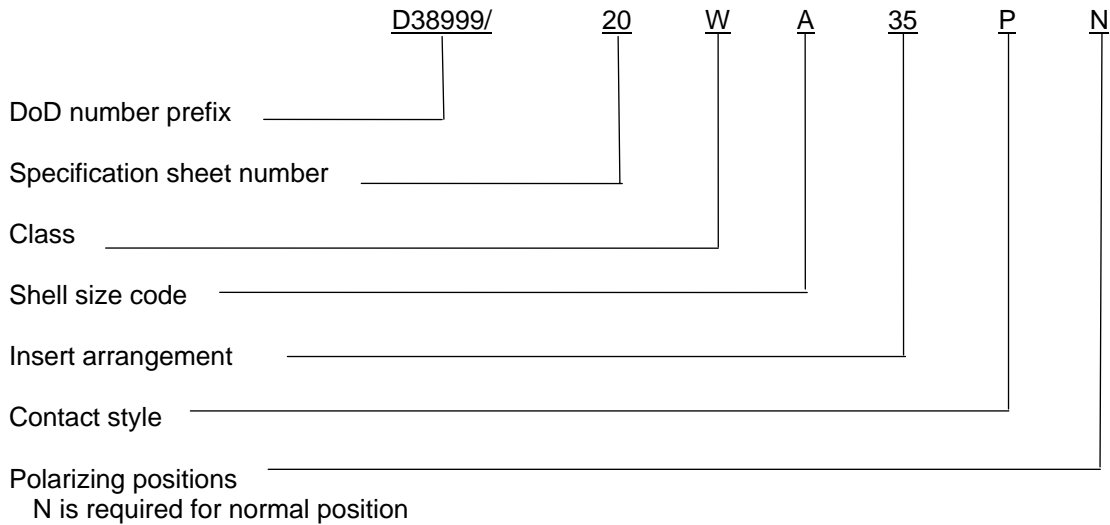
Dimensions and configuration: See figure 1. Interface dimensions shall conform to MIL-DTL-38999.

This connector mates with MIL-DTL-38999/26.

For insert arrangements: See MIL-STD-1560.

Connector accessories: See SAE-AS85049.

Part or Identifying Number (PIN) example:



Class F is not for Navy use and is inactive for Air Force new design use.

NOTE: The term PIN is equivalent to the term (part number, identification number, and type designator) which was previously used in this specification.

Qualification required: The activity responsible for the qualified product list for this specification sheet is the Defense Supply Center Columbus, DSCC-VQ, 3990 East Broad Street, Columbus, Ohio 43216-5000.

Changes from previous issue. Marginal notations are not used in this revision to identify changes with respect to the previous issue due to the extent of the changes.

Referenced documents. In addition to MIL-DTL-38999, this document references the following:

MIL-DTL-38999/26
MIL-STD-1560
SAE-AS85049

MIL-DTL-38999/20F

CONCLUDING MATERIAL

Custodians:

Army – CR
Navy - AS
Air Force – 11
DLA - CC

Preparing activity:

DLA - CC

(Project 5935-2007-176)

Review activities:

Army - AR, MI
Navy - EC, MC, OS
Air Force - 19, 99

NOTE: The activities listed above were interested in this document as of this document. Since organizations and responsibilities can change, you should verify the currency of the information above using the ASSIST Online database at <http://assist.daps.dla.mil>.