

INCH-POUND

MIL-DTL-29183/7B
13 March 2003
SUPERSEDING
MIL-P-29183/7A
24 May 1985

DETAIL SPECIFICATION SHEET

PANELBOARD, POWER DISTRIBUTION,
PORTABLE, WEATHERPROOF, TYPE I, CLASS 1,
CONFIGURATION 5: 480 OR 208 VOLT, 120 KILOWATT,
TERMINAL TYPE CONNECTORS

Inactive for new design after 13 March 2003

This specification is approved for use by all departments and agencies of the Department of Defense.

The requirements for acquiring the product described herein shall consist of this specification sheet and the issue of MIL-DTL-29183 listed in that issue of the Department of Defense Index of Specifications and Standards (DoDISS) specified in the solicitation.

REQUIREMENTS: The distribution panel shall be as specified herein and in accordance with tables I and II, and figure 1.

Physical:

Weight: The weight shall not exceed 475 pounds (215 kilograms).

Dimensions (maximum):

Length: 34.5 inches (876 millimeters (mm))

Width: 32.5 inches (826 mm)

Height: 32.5 inches (826 mm)

Stability: The vertical center of gravity shall be not more than 21.0 inches (533 mm) above level ground. Additional stability requirements shall apply in accordance with MIL-DTL-29183.

MIL-DTL-29183/7B

Electrical:

Input: The input to the distribution panel shall be 480 volt (V) or 208 V, 3-phase (\emptyset), 4-pole (P), 5-wire (W), 60 Hertz (Hz).

Bus capacity: The bus bar capacities shall be 400 amperes (A) (see figure 1).

Circuit breaker: The number of poles and current rating shall be as indicated in table I herein and the voltage rating shall be sufficient for the intended circuit.

PIN: The government part identification number (PIN) is as follows:

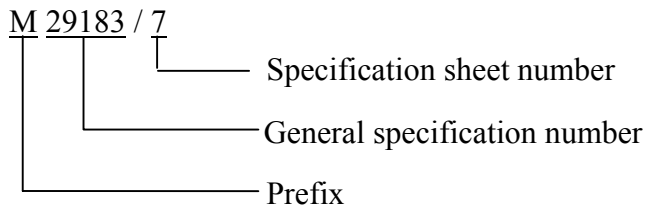
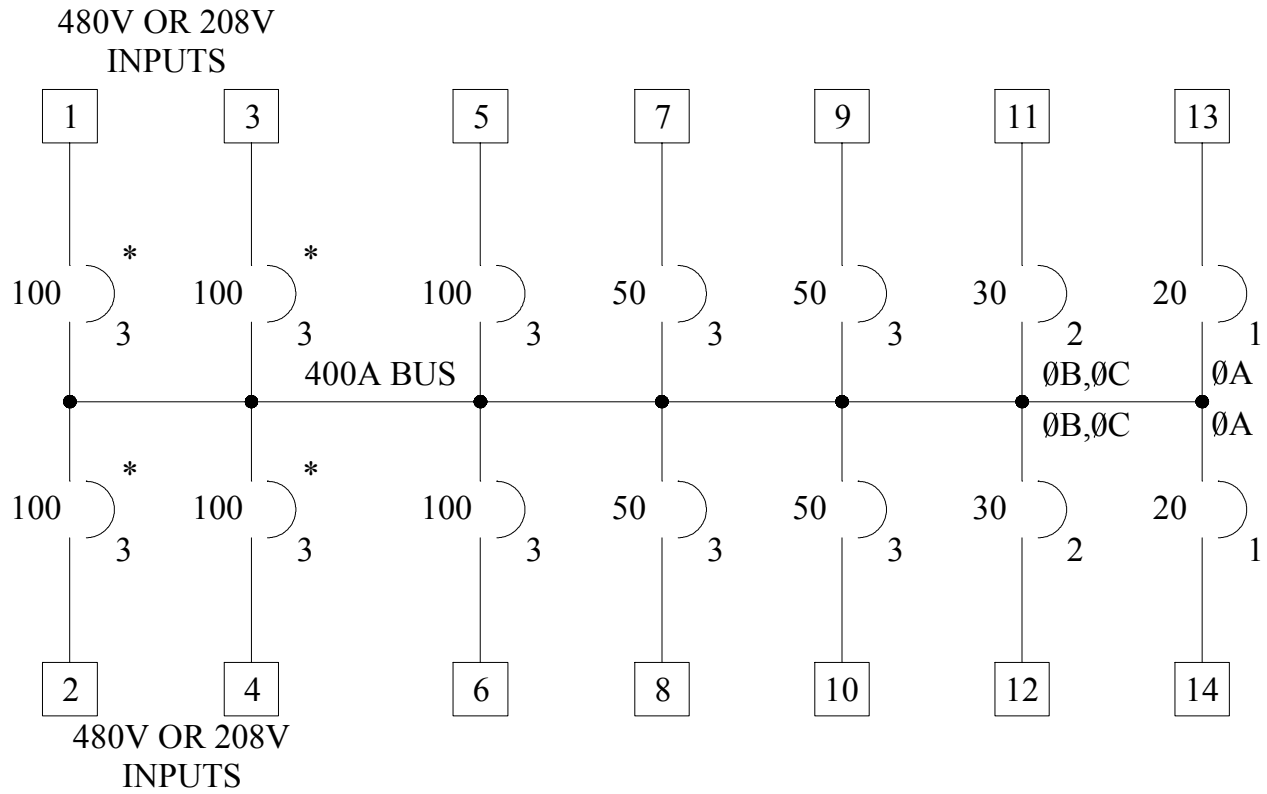


TABLE I. Circuit characteristics.

Quantity	Circuit kind ¹	Circuit breaker Pole (P) - Ampere (A)	Interface connector
4	480V (208V), 3-phase, 4P, 5W	3P-100A (without trip)	Terminals
2	480V (208V), 3-phase, 4P, 5W	3P-100A	Terminals
4	480V (208V), 3-phase, 4P, 5W	3P-50A	Terminals
2	480V/277V, (208V/120V), 3P, 4W	2P-30A	Terminals
2	277V (120V), 1-phase, 2P, 3W	1P-20A	Terminals

¹ Voltages without parentheses are for an input voltage of 480V. Voltages within parentheses are for an input voltage of 208V.

MIL-DTL-29183/7B



NOTE :

* CIRCUIT BREAKERS 1, 2, 3, 4 SHALL NOT HAVE TRIP UNITS. THEY SHALL BE USED AS DISCONNECT DEVICES.

FIGURE 1. Single-line wiring diagram.

MIL-DTL-29183/7B

TABLE II. Connector assignment and connector terminal wiring.

Circuit	Function	Interface connector	Phase A, black wire	Phase B, red wire	Phase C, blue wire	Neutral, white wire	Ground, green (bare) wire
1, 2 3, 4	Input	Pressure type, terminal block, minimum No. 1 AWG ¹ wire size capacity	T1	T2	T3	T0	G
5, 6	Branch, 3-phase	Pressure type, terminal block, minimum No. 1 AWG ¹ wire size capacity	L1	L2	L3	L0	G
7, 8 9, 10	Branch, 3-phase	Pressure type, terminal block	L1	L2	L3	L0	G
11, 12	Branch	Pressure type, terminal block	-	X	Y	W	G
13, 14	Branch, 1-phase	Pressure type, terminal block	X	-	-	W	G

¹ American wire gauge.

Custodian:
Navy - YD

Preparing Activity:
DLA - GS2

(Project 6110-0443-007)

Review Activity:
Navy - MC

STANDARDIZATION DOCUMENT IMPROVEMENT PROPOSAL

INSTRUCTIONS

1. The preparing activity must complete blocks 1, 2, 3, and 8. In block 1, both the document number and revision letter should be given.
2. The submitter of this form must complete blocks 4, 5, 6, and 7.
3. The preparing activity must provide a reply within 30 days from receipt of the form.

NOTE: This form may not be used to request copies of documents, nor to request waivers, or clarification of requirements on current contracts. Comments submitted on this form do not constitute or imply authorization to waive any portion of the referenced document(s) or to amend contractual requirements.

I RECOMMEND A CHANGE:		1. DOCUMENT NUMBER MIL-DTL-29183/7B	2. DOCUMENT DATE (YYYYMMDD) 20030313
3. DOCUMENT TITLE PANELBOARD, POWER DISTRIBUTION, PORTABLE, WEATHERPROOF, TYPE I, CLASS 1, CONFIGURATION 5: 480 OR 208 VOLT, 120 KILOWATT, TERMINAL TYPE CONNECTORS			
4. NATURE OF CHANGE (<i>Identify paragraph number and include proposed rewrite, if possible. Attach extra sheets as needed.</i>)			
5. REASON FOR RECOMMENDATION			
6. SUBMITTER			
a. NAME (<i>Last, First, Middle Initial</i>)		b. ORGANIZATION	
c. ADDRESS (<i>Include Zip Code</i>)		d. TELEPHONE (<i>Include Area Code</i>) (1) Commercial (2) DSN (<i>if applicable</i>)	7. DATE SUBMITTED (YYYYMMDD)
8. PREPARING ACTIVITY			
a. NAME Defense Supply Center Richmond		b. TELEPHONE (<i>Include Area Code</i>) Commercial: (804) 279-5019 DSN: 695-5019	
c. ADDRESS (<i>Include Zip Code</i>) ATTN: DSCR-VBD (C. Hammond) 8000 Jefferson Davis Highway Richmond, VA 23297-5610		IF YOU DO NOT RECEIVE A REPLY WITHIN 45 DAYS, CONTACT: DEFENSE STANDARDIZATION PROGRAM OFFICE (DLSC-LM) 8725 John J. Kingman Road, Suite 2533 Fort Belvoir, VA 22060-6221 Commercial: (703) 767-6888 DSN: 427-6888	