

INCH-POUND

MIL-DTL-25677/4
8 March 2007

DETAIL SPECIFICATION SHEET

CAP, PRESSURE, LUBRICATING FITTING,
PROTECTIVE, PRESSURE SERVICING ADAPTER

This specification is approved for use by all Departments and Agencies of the Department of Defense.

The requirements for acquiring the product described herein shall consist of this specification sheet and MIL-DTL-25677.

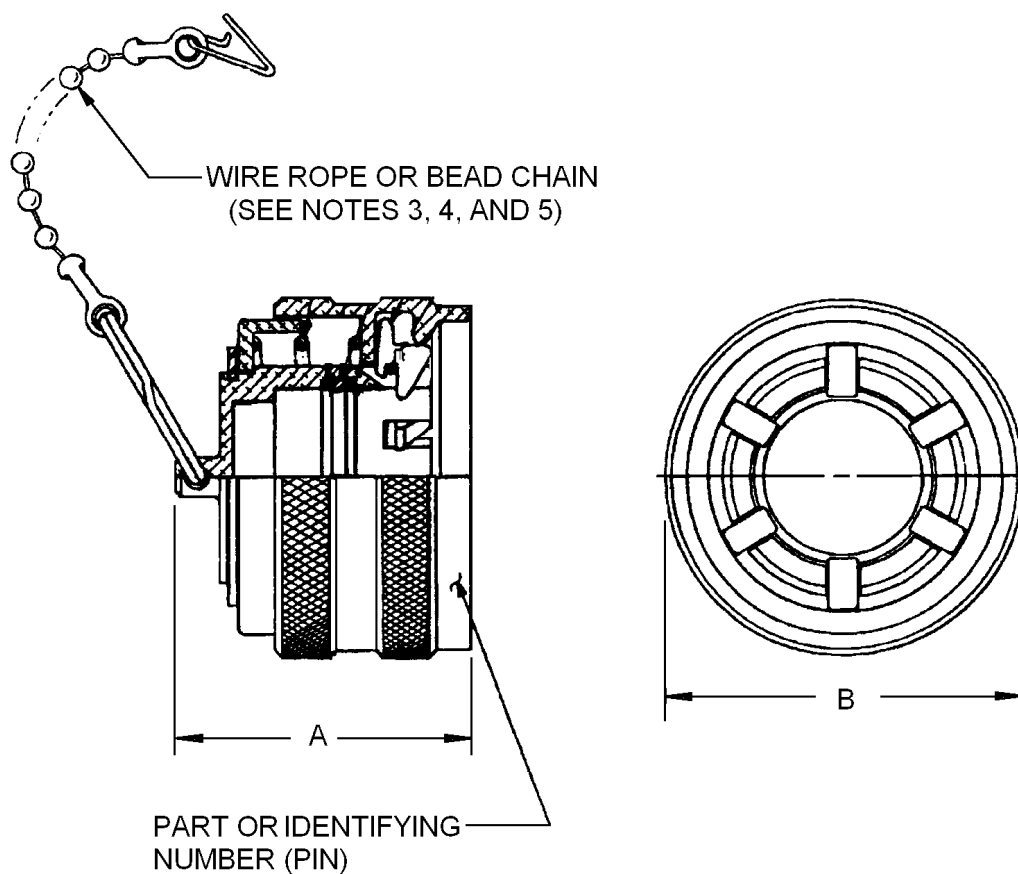


FIGURE 1. Pressure cap.

MIL-DTL-25677/4

Dash number	Cap size (mm)	Material	A length max (mm)	B diameter max (mm)	Weight max lbs (grams)	Pressure drop at -45°F (-42.78°C) PSI (bar)	For use with adapter MIL-DTL-25677/1 PIN
-1	.500 (12.70)	Aluminum	1.74 (44.20)	2.00 (50.80)	.30 (136.1)	19.4 (1.34)	MS24476-1
-2	.750 (19.05)	Aluminum	2.34 (59.44)	2.43 (61.72)	.38 (172.4)	24.8 (1.71)	MS24476-2
-3	.500 (12.70)	Corrosion resistant steel	1.74 (44.20)	2.00 (50.80)	.595 (269.89)	19.4 (1.34)	MS24476-1
-4	.750 (19.05)	Corrosion resistant steel	2.34 (59.44)	2.43 (61.72)	.972 (440.89)	24.8 (1.71)	MS24476-2

NOTES:

- Dimensions are in inches.
- Metric equivalents are given for information only.
- Bead chain configuration consists of a corrosion resistant steel (CRES) bead chain a retaining ring and hook in accordance with MS29523-1.
- Wire rope configuration consists of:
 - Wire rope in accordance with MIL-DTL-83420/2, 1/16 diameter type 1, comp B.
 - Corrosion resistant steel sleeve in accordance with MS51844-62.
 - Hook in accordance with SAE-AS29523-1.
- Wire rope or bead chain free length 6 inches (152.40 mm).

FIGURE 1. Pressure cap - Continued.

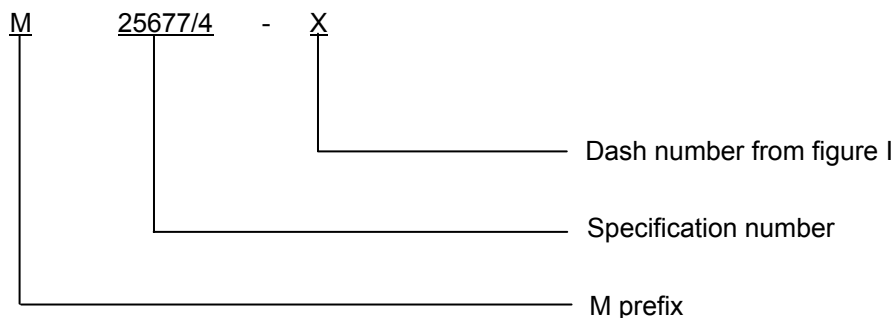
REQUIREMENTS:

Dimensions and configuration, see figure 1.

This specification sheet describes a pressure cap that mounts on an adapter and provides a redundant safety backup seal to the adapter valve seal.

Mating adapter: Shall be in accordance with MIL-DTL-25677/1.

PIN:



Example: M25677/4-1

MIL-DTL-25677/4

Referenced documents. In addition to MIL-DTL-25677, this document references the following:

MIL-DTL-26577/1
MIL-DTL-83420/2

CONCLUDING MATERIAL

Custodians:

Army - AV
Navy - AS
Air Force - 99
DLA - CC

Preparing activity:

DLA - CC

(Project 4730-2005-032)

Review activities:

Navy - CG, MC, SA
Air Force - 06, 70, 71

Industry associations:

SAE - G3

NOTE: The activities listed above were interested in this document as of the date of this document. Since organization and responsibilities can change, you should verify the currency of the information above using the ASSIST Online database at <http://assist.daps.dla.mil>.