

INCH-POUND

MIL-DTL-25677/1A
 3 October 2014
 SUPERSEDING
 MIL-DTL-25677/1
 w/AMENDMENT 4
 4 November 2004

DETAIL SPECIFICATION SHEET

ADAPTER, PRESSURE LUBRICATING OIL SERVICING, AIRCRAFT

This specification is approved for use by all Departments and Agencies of the Department of Defense.

The requirements for acquiring the product described herein shall consist of this specification sheet and MIL-DTL-25677.

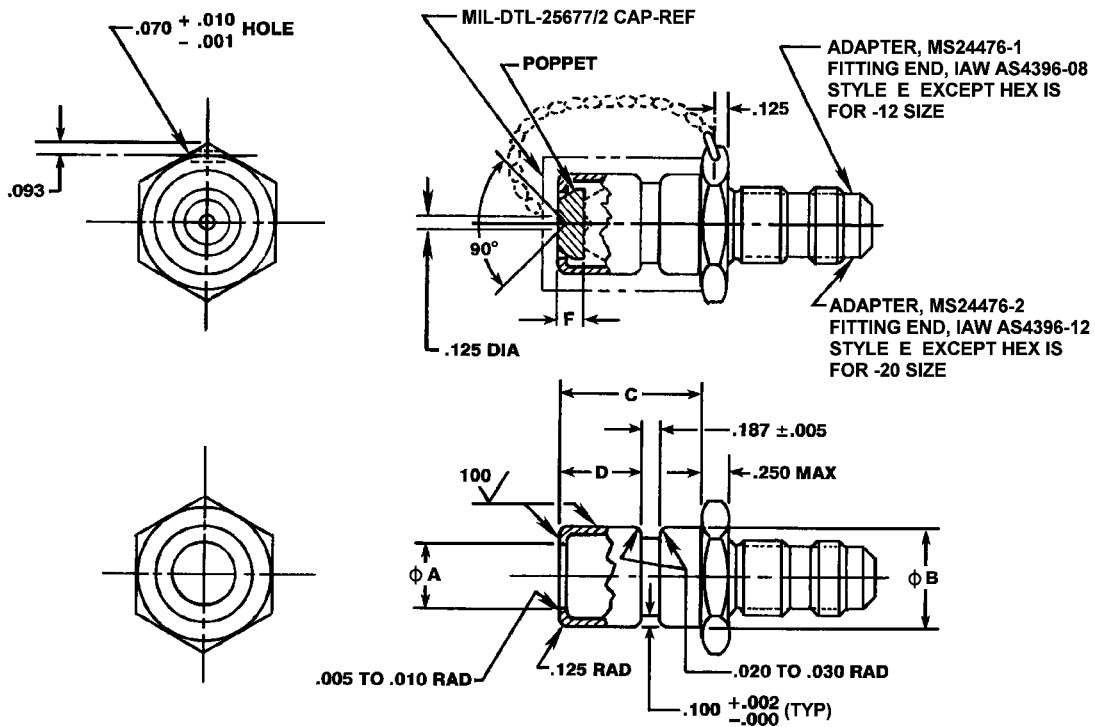


FIGURE 1. Adapter.

MIL-DTL-25677/1A

NOTES:

1. Dimensions are in inches. Unless otherwise specified, tolerances decimals $\pm .010$; angles $\pm 1^\circ$.
2. Dimension F is measured from face of adapter.
3. The MS24476 Part or Identifying Number (PIN) have been retained.
4. Dimensions A and B shall be concentric within .001 FIM. Poppet shall not extend beyond face of adapter.
5. Material and finish: See MIL-DTL-25677
6. International standardization agreement implementation. This specification implements international standardization agreements AIR STDs and STANAG 3595 ED.4(2), "AIRCRAFT FITTING FOR PRESSURE REPLENISHMENT OF GAS TURBINE ENGINES WITH OIL". When amendment, revision, or cancellation of this specification is proposed, the preparing activity must coordinate the action with the U.S. National Point of Contact for the international standardization agreement, as identified in the ASSIST database at <http://www.dodssp.daps.mil>.

FIGURE 1. Adapter - Continued.TABLE I. Dimensions, weight, flow rate, and pressure drop.

PIN	Tubin g OD REF	A +.002 -.000	B +.000 -.002	C +.00 7 -.005	D $\pm .002$	F +.031 -.000	Weight max lb	When used with MIL-DTL-25677/3 nozzle		
								Nozzle PIN	Flow rate MIN with -45°F oil (gpm)	Press drop MAX (psi)
MS24476-1	.500	.580	1.000	1.21 2	.687	.219	.40	MS24475-1	1.0	20
MS24476-2	.750	.812	1.438	1.56 2	1.000	.500	.83	MS24475-2	1.0	25

REQUIREMENTS

The adapter shall be in accordance with figure 1 and table I.

Remove burrs and break sharp edges .016 maximum radius.

For design feature purposes, this specification sheet takes precedence over the procurement document referenced herein.

The adapter is designed for use with synthetic lubricating and preservative oil.

For installation: clearance shall be allowed for maximum overall dimensions shown for cap and adapter.

The margins of this specification are marked with vertical lines to indicate modifications generated by this amendment. This was done as a convenience only and the Government assumes no liability whatsoever for any inaccuracies in these notations. Bidders and contractors are cautioned to evaluate the requirements of this document based on the entire content irrespective of the marginal notations."

MIL-DTL-25677/1A

Referenced documents. In addition to MIL-DTL-25677, this document references the following:

MIL-DTL-25677/2
MIL-DTL-25677/3
STANAG 3595 ED.4(2)

CONCLUDING MATERIAL

Custodians:

Navy – AS
Air Force – 99
DLA – CC

Preparing activity:

DLA - CC

(Project 4730-2014-072)

Review activities:

Navy - MC, SA, USCG
Air Force – 06, 71

NOTE: The activities listed above were interested in this document as of the date of this document. Since organization and responsibilities can change, you should verify the currency of the information above using the ASSIST Online database at <http://assist.dla.mil>.