

INCH-POUND  
MIL-DTL-24646/3B  
29 October 2008  
SUPERSEDING  
MIL-DTL-24646/3A  
17 May 2002

### DETAIL SPECIFICATION SHEET

FUSE BOXES, FEEDER DISTRIBUTION, TOTALLY ENCLOSED,  
125/250 VOLTS, DIRECT CURRENT, THREE WIRE BUSES,  
TWO WIRE BRANCHES, 0-30 AMPERE FUSES,  
SYMBOLS 540, 541 AND 542

This specification is approved for use by all Departments  
and Agencies of the Department of Defense.

The requirements for acquiring the product described herein  
shall consist of this specification sheet and [MIL-DTL-24646](#).

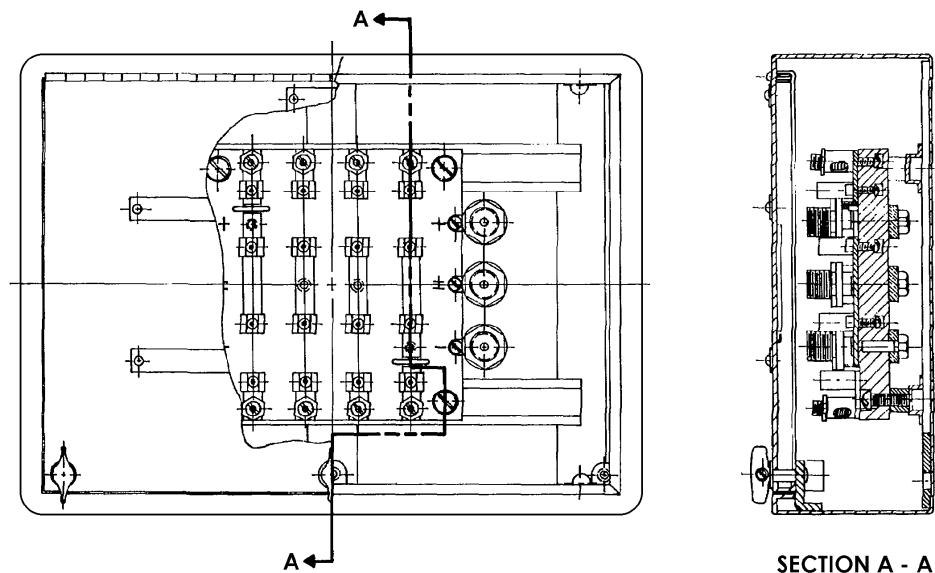
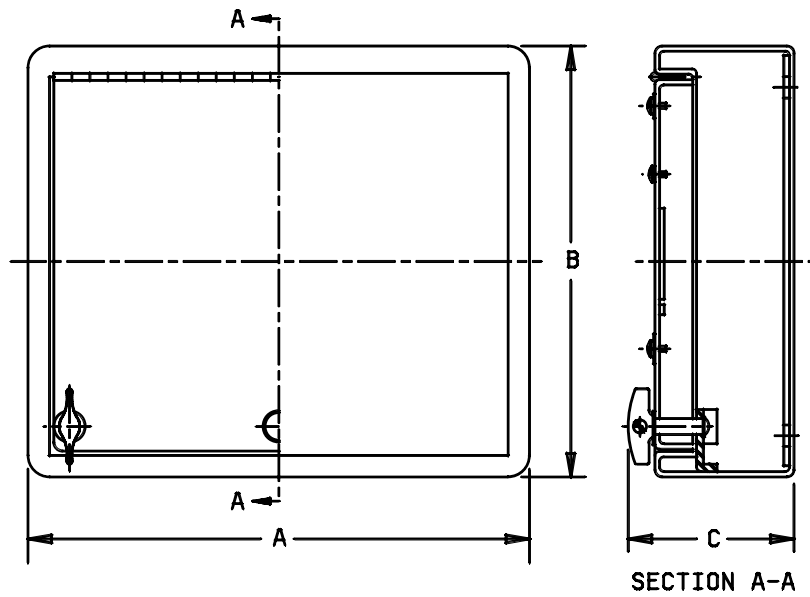


FIGURE 1. Fuse box assembly, typical. Item No. 01, 02, 03  
(Symbol 541 shown)

#### NOTES:

1. Dimensions are in inches.
2. Unless otherwise specified herein, tolerances shall be as follows:  
Two place decimals - plus or minus 0.02.  
Three place decimals - plus or minus 0.005.

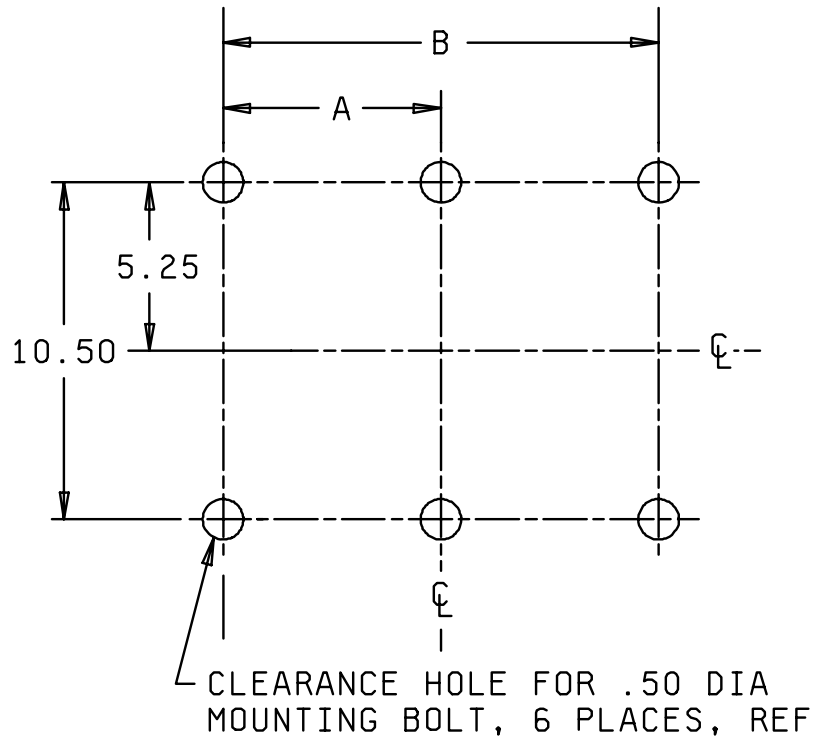
MIL-DTL-24646/3B



SYMBOL NO	DIMENSIONS (REF)		
	A	B	C
540	14.16	12.16	4.75
541	16.16	12.16	4.75
542	20.16	12.16	4.75

FIGURE 2. Enclosure, overall dimensions. Item No. 04, 05, 06  
(Symbols 540, 541, 542)

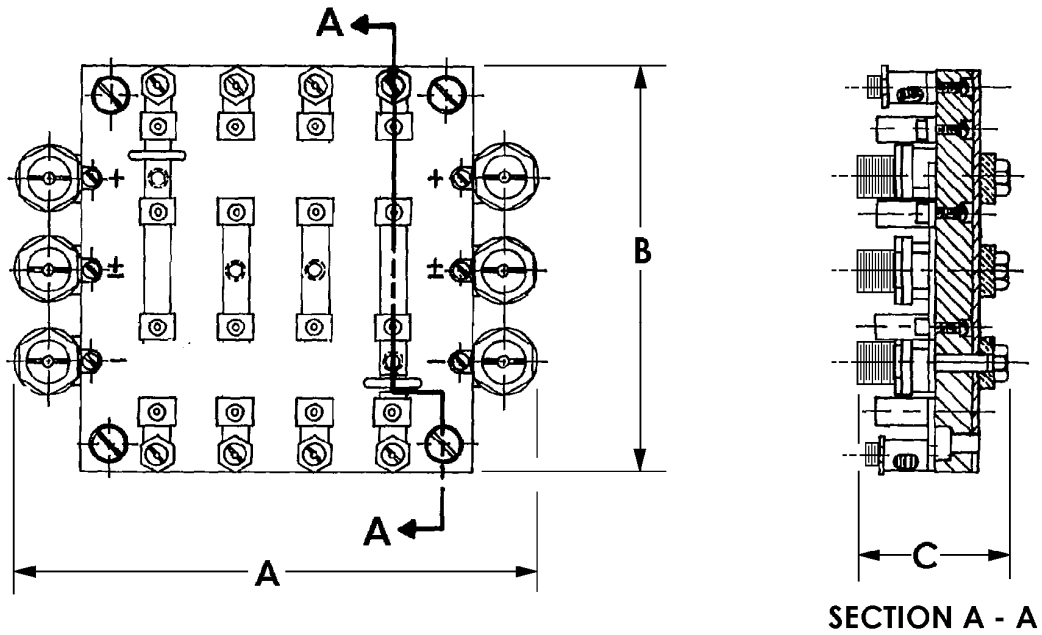
MIL-DTL-24646/3B



SYMBOL NO	DIMENSIONS	
	A	B
540	5.50	11.00
541	6.50	13.00
542	8.00	16.00

FIGURE 3. Mounting dimensions, ref.  
(Symbols 540, 541, and 542)

MIL-DTL-24646/3B

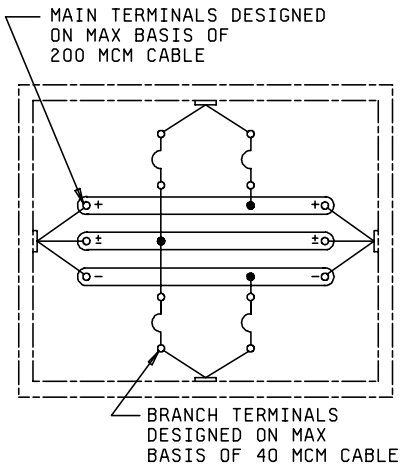


SYMBOL NO	DIMENSIONS (MAX)		
	A	B	C
540	4.37	7.12	2.80
541	7.13	7.12	2.80
542	10.25	7.12	2.80

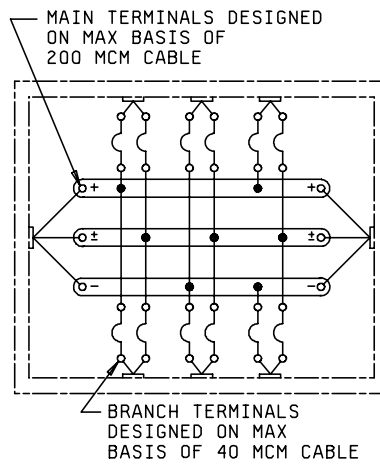
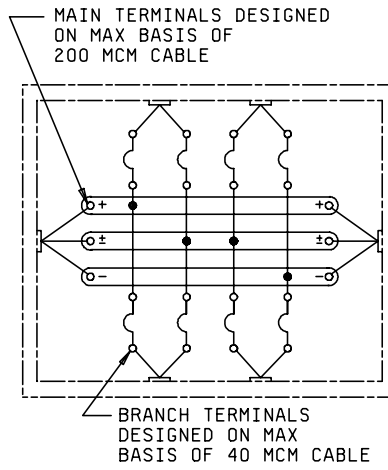
FIGURE 4. Fuse block assembly, typical. Item No. 07, 08, 09  
(Symbols 540, 541 and 542)

MIL-DTL-24646/3B

A. Two 2-wire branches  
(Symbol 540)



B. Four 2-wire branches  
(Symbol 541)



C. Six 2-wire branches  
(Symbol 542)

FIGURE 5. Wiring diagrams. Item No. 10, 11, 12

## MIL-DTL-24646/3B

## REQUIREMENTS

Symbol numbers: See table I.

Design:

Electrical rating: 125/250 volts direct current, 0-30 ampere.

Dimensions and configuration: See figures 1, 2, 3 and 4.

Wiring diagrams: See figure 5.

Mounting dimensions: See figure 3.

Degree of enclosure: Totally enclosed.

Designation and marking: See [MIL-DTL-24646](#).

Parts: The parts listed in table II and specified in [MIL-DTL-24646](#) shall be used in the construction of the fuse boxes specified herein.

General information:

Military part numbers and general information are as specified in table I.

TABLE I. Military part numbers and general information.

Military part no.	Symbol no.	Weight in pounds	No. of circuits	Feeder MCM	Branch MCM	Fuse size	Bus bar size	Supersedes	
								Drawing no.	Type
M24646/3-001	540	22.0	2	200	40	0-30A	0.88 x 0.25	9000-S-6202-73157	II-S
M24646/3-002	541	25.4	4	200	40	0-30A	0.88 x 0.25	9000-S-6202-73158	JJ-S
M24646/3-003	542	32.5	6	200	40	0-30A	0.88 x 0.25	9000-S-6202-73159	KK-S

## MIL-DTL-24646/3B

TABLE II. Parts list.

Item no. 1/	Description	QTY M /-			Material/ specification	Remarks
		001	002	003		
01	Fuse box assembly (sym 540)	-			MIL-DTL-24646/3	See fig. 1
02	Fuse box assembly (sym 541)		-		MIL-DTL-24646/3	See fig. 1
03	Fuse box assembly (sym 542)			-	MIL-DTL-24646/3	See fig. 1
04	Enclosure (12 x 14 x 4)	1			M24142/16-004	See fig.2
05	Enclosure (12 x 16 x 4)		1		M24142/16-005	See fig. 2
06	Enclosure (12 x 20 x 4)			1	M24142/16-007	See fig. 2
07	Fuse block assembly	1			MIL-DTL-24646/3	See fig. 4
08	Fuse block assembly		1		MIL-DTL-24646/3	See fig. 4
09	Fuse block assembly			1	MIL-DTL-24646/3	See fig. 4
10	Wiring diagram	1			<a href="#">MIL-E-2036</a>	See fig. 5
11	Wiring diagram		1		<a href="#">MIL-E-2036</a>	See fig. 5
12	Wiring diagram			1	<a href="#">MIL-E-2036</a>	See fig. 5
13	Fuse clip (0-30A)	8	16	24	A-A-55507/1-06	N/A
14	Identification plate	1	1	1	Brass, <a href="#">ASTM B36/B36M B121/B121M</a>	N/A
15	Information plate	2	4	6	Brass, <a href="#">ASTM B36/B36M B121/B121M</a>	N/A

1/ Item numbers after the figure titles are the same as the item numbers shown in this table.

Referenced documents. In addition to [MIL-DTL-24646](#), this document references the following:

[MIL-E-2036](#) [ASTM B36/B36M](#) [ASTM B121/B121M](#)

The margins of this specification sheet are marked with vertical lines to indicate where changes from the previous issue were made. This was done as a convenience only and the Government assumes no liability whatsoever for any inaccuracies in these notations. Bidders and contractors are cautioned to evaluate the requirements of this document based on the entire content irrespective of the marginal notations and relationship to the last previous issue.

Custodian:  
Navy - SH  
DLA - CC

Preparing activity:  
DLA - CC

(Project 5920-2008-019)

NOTE: the activities listed above were interested in this document as of the date of this document. Since organizations and responsibilities can change, you should verify the currency of the information above using the ASSIST Online database at <http://assist.daps.dla.mil>.