

INCH-POUND
MIL-DTL-24646/2B
29 October 2008
SUPERSEDING
MIL-DTL-24646/2A
17 May 2002

DETAIL SPECIFICATION SHEET

FUSE BOXES, FEEDER DISTRIBUTION, TOTALLY ENCLOSED,
125/250 VOLTS, DIRECT CURRENT, THREE WIRE BUSES,
TWO WIRE BRANCHES, 0-30 AMPERE MIDGET FUSES,
SYMBOLS 609, 610 AND 611

This specification is approved for use by all Departments
and Agencies of the Department of Defense.

The requirements for acquiring the product described herein
shall consist of this specification sheet and [MIL-DTL-24646](#).

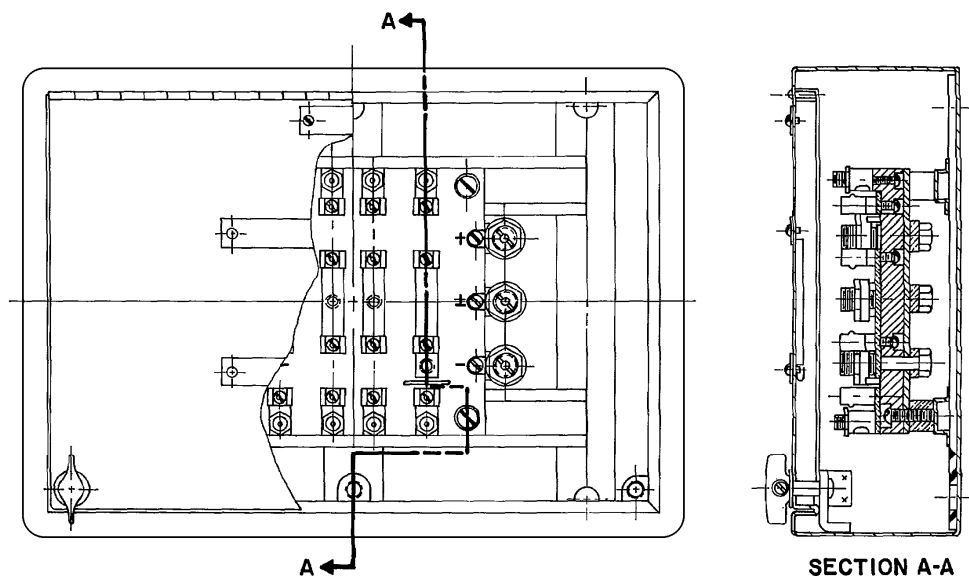
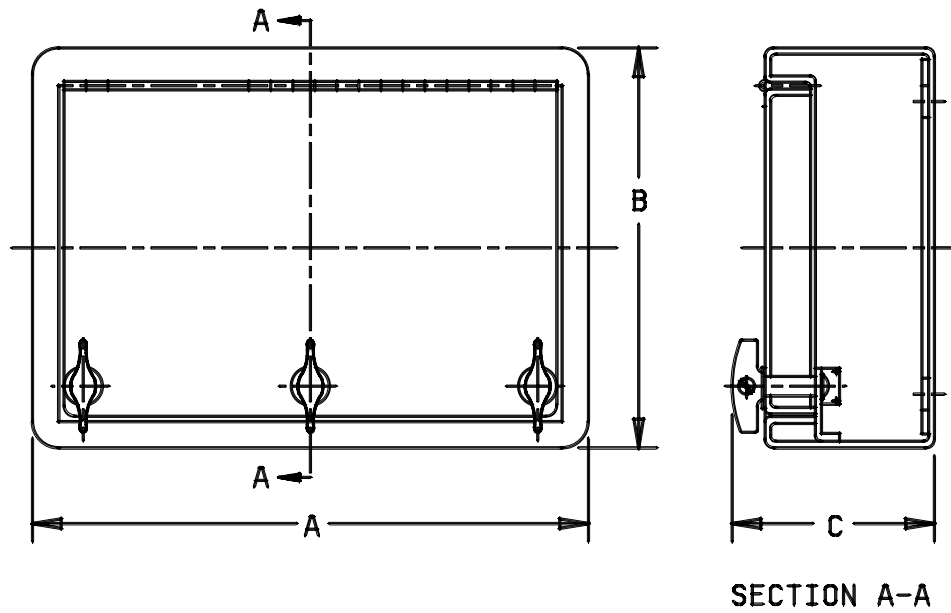


FIGURE 1. Fuse box assembly, typical. Item No. 01, 02, 03
(Symbol 609 shown)

NOTES:

1. Dimensions are in inches.
2. Unless otherwise specified herein, tolerances shall be as follows:
Two place decimals - plus or minus 0.02.
Three place decimals - plus or minus 0.005.

MIL-DTL-24646/2B

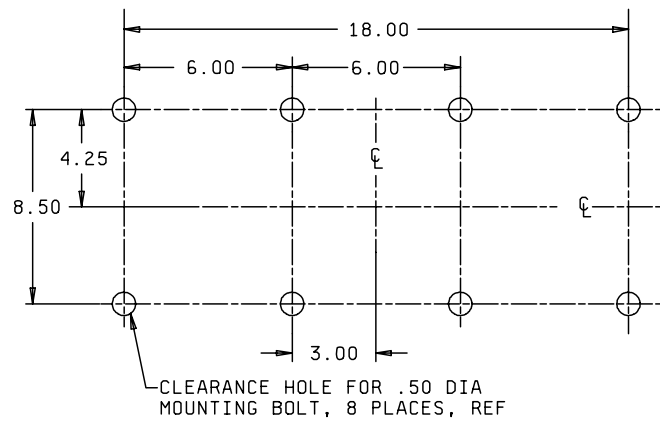
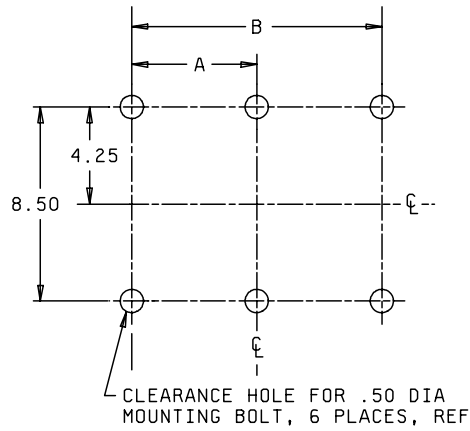


SYMBOL NO	DIMENSIONS (REF)		
	A	B	C
609	14.16	10.16	4.25
610	18.16	10.16	4.25
611	22.16	10.16	4.25

FIGURE 2. Enclosure, overall dimensions. Item No. 04, 05, 06
(Symbols 609, 610, 611)

MIL-DTL-24646/2B

A. Symbols 609, and 610

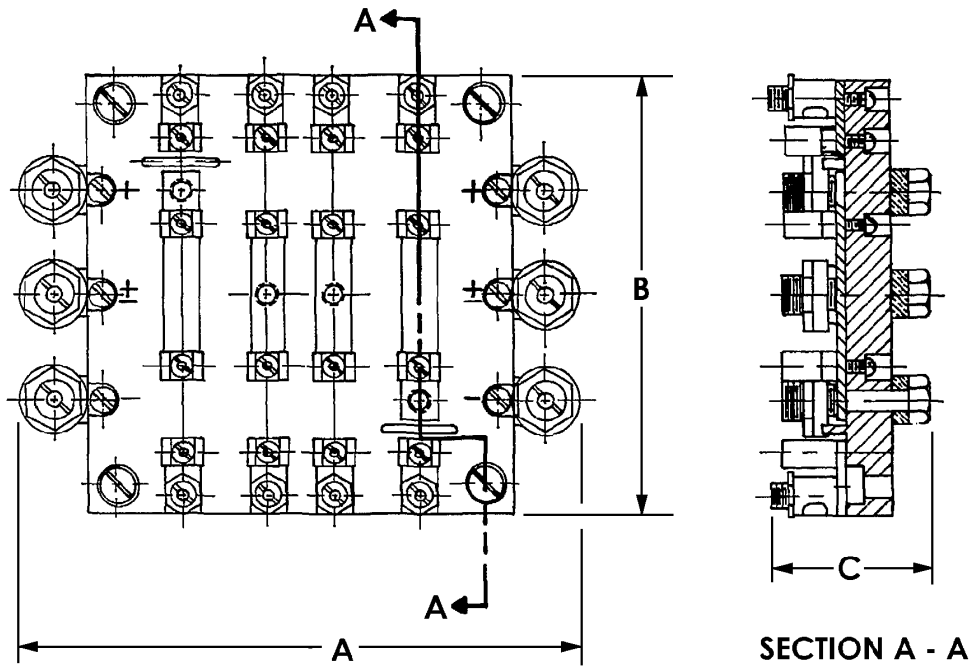


B. Symbol 611

SYMBOL NO	DIMENSIONS	
	A	B
609	5.00	10.00
610	6.50	13.00

FIGURE 3. Mounting dimensions, ref.

MIL-DTL-24646/2B



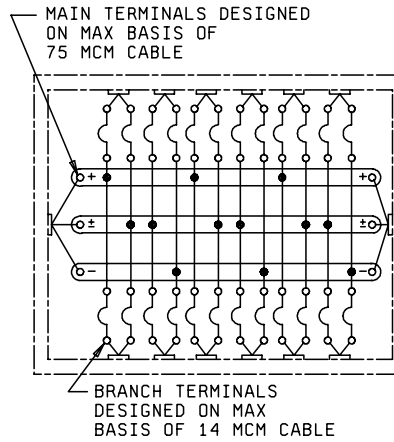
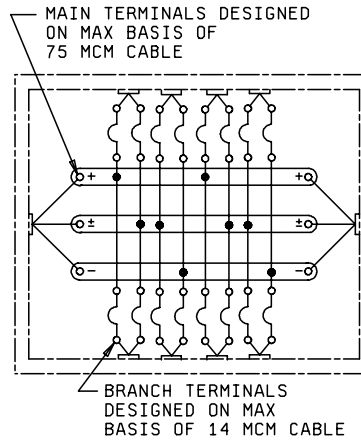
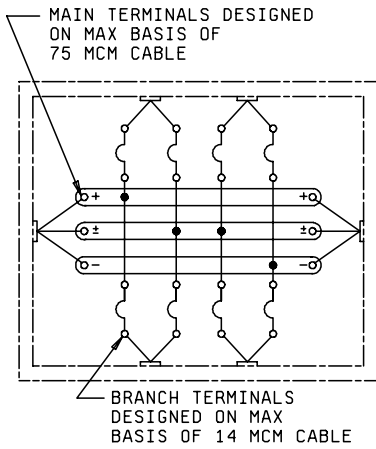
SYMBOL NO	DIMENSIONS (MAX)		
	A	B	C
609	7.50	5.75	2.20
610	12.37	5.75	2.20
611	17.25	5.75	2.20

FIGURE 4. Fuse block assembly, typical. Item No. 07, 08, 09
(Symbols 609, 610 and 611)

MIL-DTL-24646/2B

A. Four 2-wire branches (Symbol 609).

B. Eight 2-wire branches (Symbol 610).



C. Twelve 2-wire branches (Symbol 611).

FIGURE 5. Wiring diagrams. Item No. 10, 11, 12

MIL-DTL-24646/2B

REQUIREMENTS

Symbol numbers: See table I.

Design:

Electrical rating: 125/250 volts direct current, 0-30 ampere.

Dimensions and configuration: See figures 1, 2, 3 and 4.

Wiring diagrams: See figure 5.

Mounting dimensions: See figure 3.

Degree of enclosure: Totally enclosed.

Designation and marking: See [MIL-DTL-24646](#).

Parts: The parts listed in table II and specified in [MIL-DTL-24646](#) shall be used in the construction of the fuse boxes specified herein.

General information:

Military part numbers and general information are as specified in table I.

TABLE I. Military part numbers and general information.

Military part no.	Symbol no.	Weight in pounds	No. of circuits	Feeder MCM	Branch MCM	Fuse size	Bus bar size	Supersedes	
								Drawing no.	Type
M24646/2-001	609	19.0	4	75	14	midget 0-30A	0.62 x 0.19	9000-S-6202-73160	LL-S
M24646/2-002	610	24.6	8	75	14	midget 0-30A	0.62 x 0.19	9000-S-6202-73162	NN-S
M24646/2-003	611	29.4	12	75	14	midget 0-30A	0.62 x 0.19	9000-S-6202-73163	PP-S

MIL-DTL-24646/2B

TABLE II. Parts list.

Item no. ^{1/}	Description	QTY M /-			Material/ specification	Remarks
		001	002	003		
01	Fuse box assembly (sym 609)	-			MIL-DTL-24646/2	See figure 1
02	Fuse box assembly (sym 610)		-		MIL-DTL-24646/2	See figure 1
03	Fuse box assembly (sym 611)			-	MIL-DTL-24646/2	See figure 1
04	Enclosure (10 x 14 x 3.5)	1			M24142/16-001	See figure 2
05	Enclosure (10 x 18 x 3.5)		1		M24142/16-003	See figure 2
06	Enclosure (10 x 22 x 3.5)			1	M24142/18-002	See figure 2
07	Fuse block assembly	1			MIL-DTL-24646/2	See figure 4
08	Fuse block assembly		1		MIL-DTL-24646/2	See figure 4
09	Fuse block assembly			1	MIL-DTL-24646/2	See figure 4
10	Wiring diagram	1			MIL-E-2036	See figure 5
11	Wiring diagram		1		MIL-E-2036	See figure 5
12	Wiring diagram			1	MIL-E-2036	See figure 5
13	Fuse clip (midget 0-30A)	16	32	48	A-A-55507/1-04	N/A
14	Identification plate	1	1	1	ASTM B36/B36M B121/B121M	N/A
15	Information plate	4	8	12	ASTM B36/B36M B121/B121M	N/A

^{1/} Item numbers after the figure titles are the same as the item numbers shown in this table.

Referenced documents. In addition to [MIL-DTL-24646](#), this document references the following:

[MIL-E-2036](#) [ASTM B36/B36M](#) [ASTM B121/B121M](#)

MIL-DTL-24646/2B

The margins of this specification sheet are marked with vertical lines to indicate where changes from the previous issue were made. This was done as a convenience only and the Government assumes no liability whatsoever for any inaccuracies in these notations. Bidders and contractors are cautioned to evaluate the requirements of this document based on the entire content irrespective of the marginal notations and relationship to the last previous issue.

Custodian:
Navy - SH
DLA - CC

Preparing activity:
DLA - CC

(Project 5920-2008-018)

NOTE: the activities listed above were interested in this document as of the date of this document. Since organizations and responsibilities can change, you should verify the currency of the information above using the ASSIST Online database at <http://assist.daps.dla.mil>.