

INCH-POUND

MIL-DTL-13625/2B

21 January 2009

SUPERSEDING

MIL-DTL-13625/2A

27 March 2003

## DETAIL SPECIFICATION SHEET

SWITCHES, PULL; SWITCHES, PUSH; SWITCHES, BEAM SELECTING,  
HEADLIGHT: ELECTRICAL (28 VOLTS DC MAXIMUM,  
FOR MILITARY VEHICLES)

This specification is approved for use by all Depart-  
ments and Agencies of the Department of Defense.

The requirements for acquiring the product described herein  
shall consist of this specification and MIL-DTL-13625.

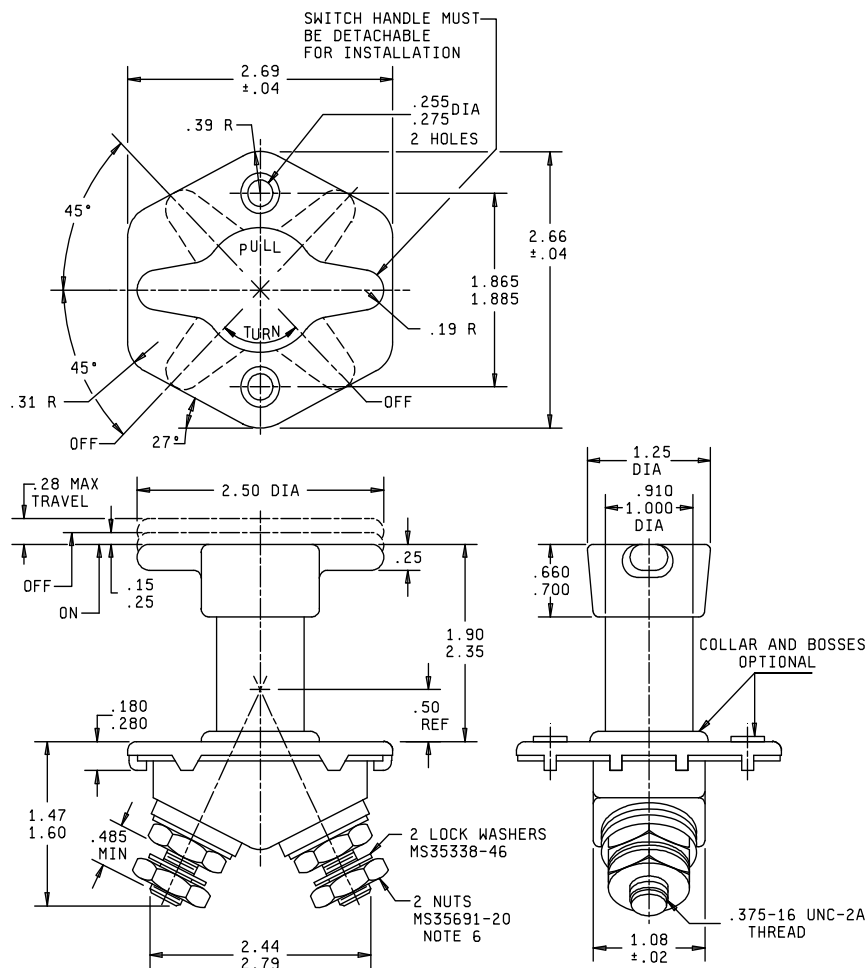


FIGURE 1.

## MIL-DTL-13625/2B

## Notes:

1. Type V (Single Pole, Single Throw, pull-latch disconnect, normally closed), Class A (slow make and break), Grade 2 (open) of procurement specification.
2. 300 Amp resistive load, 150 Amp inductive load.
3. Force required to operate the switch shall be  $13 \pm 2$  pounds.
4. Shall withstand a minimum overload force of 150 pounds without damage.
5. Shall not exceed a maximum weight of 17 ounces.
6. Nut shall not be coated with Black Oxide.
7. Threads shall be in accordance with screw thread standard for FED-STD-H28.
8. Dimensions are in inches. Unless otherwise specified, tolerances are  $\pm .01$  on decimals,  $\pm 0^\circ 30'$  on angles.
9. For design feature purposes, this specification sheet takes precedence over procurement documents referenced herein.
10. This specification sheet is not intended to limit construction to features other than as shown heron by dimensions, notations or referenced documents.
11. Referenced documents shall be of the issue in effect on the date on invitations for bid.
12. Marking shall consist of the part or identifying number (PIN) and Manufacturer's identification in accordance with MIL-STD-130.

FIGURE 1 continued.

Part or Identifying Number (PIN)	Supersedes	
	MS Part No.	Former Part No.
MIL-DTL-13625/2-1	MS27200-1	8339369

The margins of this specification are marked with vertical lines to indicate where modifications from this amendment were made. This was done as a convenience only and the Government assumes no liability whatsoever for any inaccuracies in these notations. Bidders and contractors are cautioned to evaluate the requirements of this document based on the entire content irrespective of the marginal notations.

## Referenced documents:

MIL-DTL-13625

MIL-STD-130

FED-STD-H28

Custodian:  
Army - AT  
DLA - CC

Preparing activity:  
DLA - CC

(Project 5930-2008-083)

NOTE: The activities listed above were interested in this document as of the date of this document. Since organizations and responsibilities can change, you should verify the currency of the information above using the ASSIST Online database at <http://assist.daps.dla.mil/>.