

MIL-D-9129/1A
 30 September 1986
 SUPERSEDING
 MIL-D-9129/1
 8 November 1967

MILITARY SPECIFICATION SHEET

DISCHARGER, ELECTROSTATIC,
 TRAILING EDGE, INTEGRAL BASE, LESS THAN 300 KNOTS

This specification is approved for use by all Departments and Agencies of the Department of Defense.

The requirements for acquiring the dischargers described herein shall consist of this specification and the latest issue of MIL-D-9129.

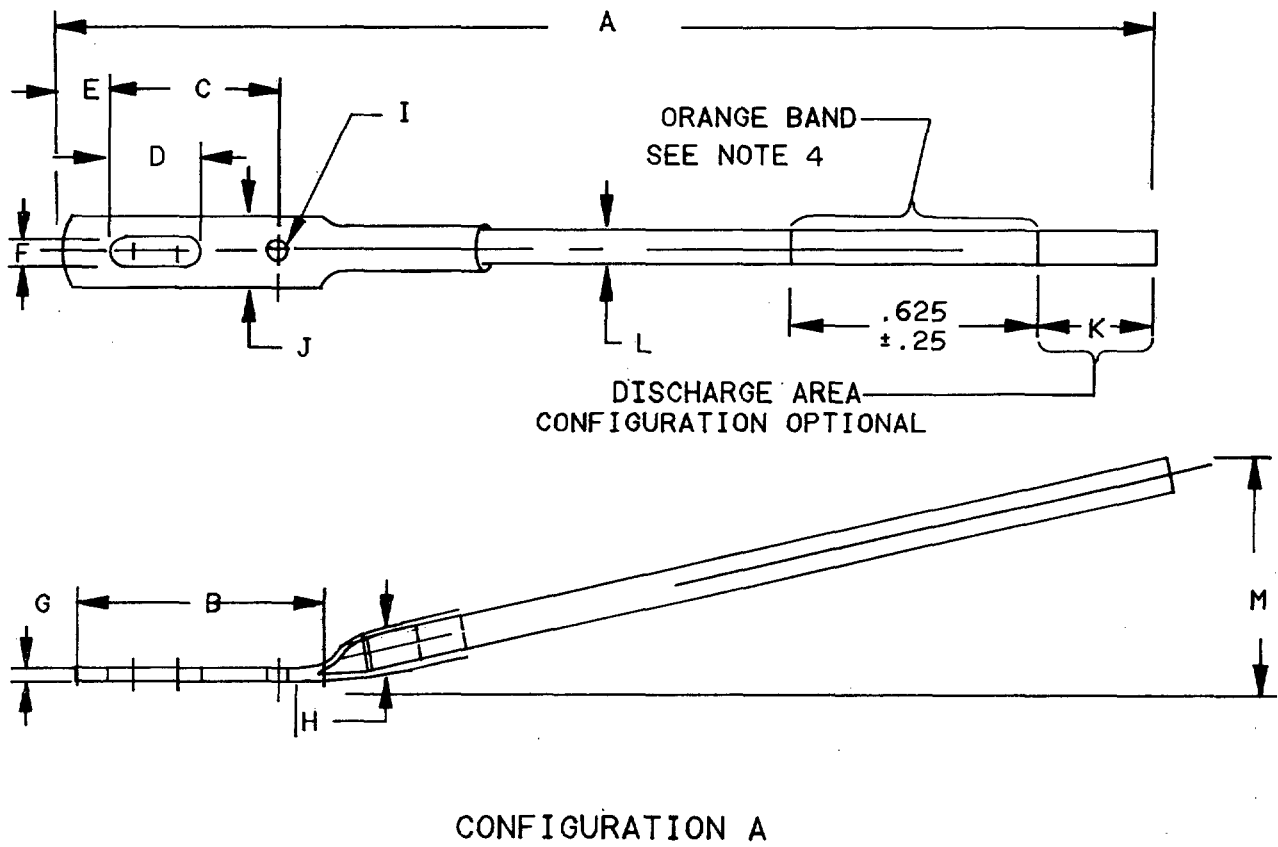
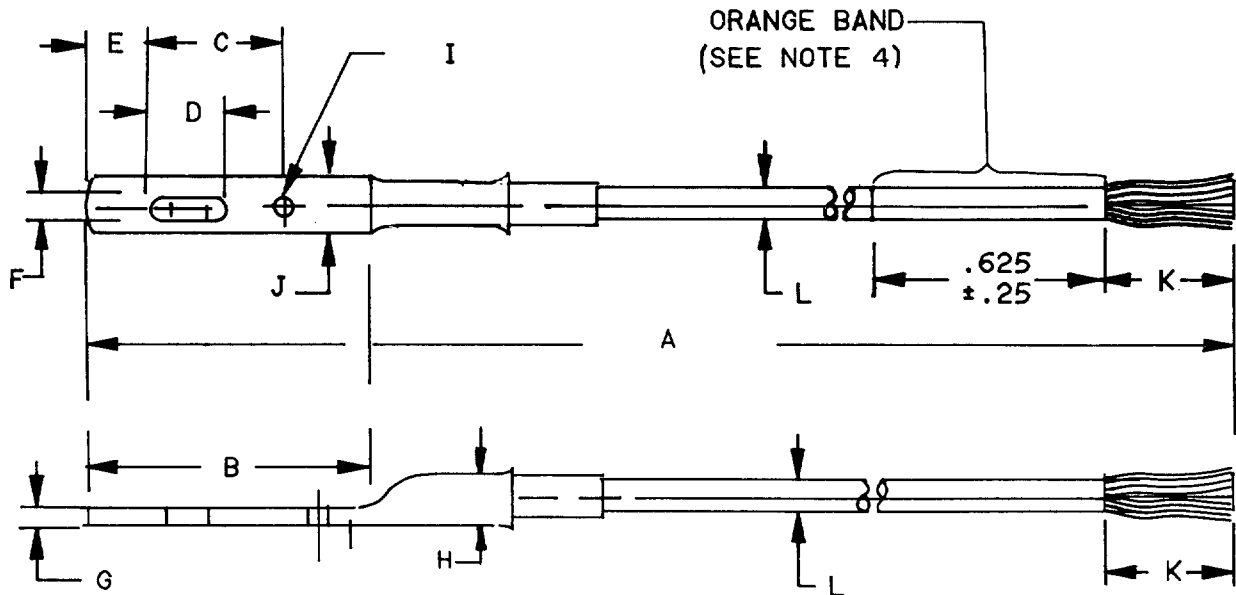
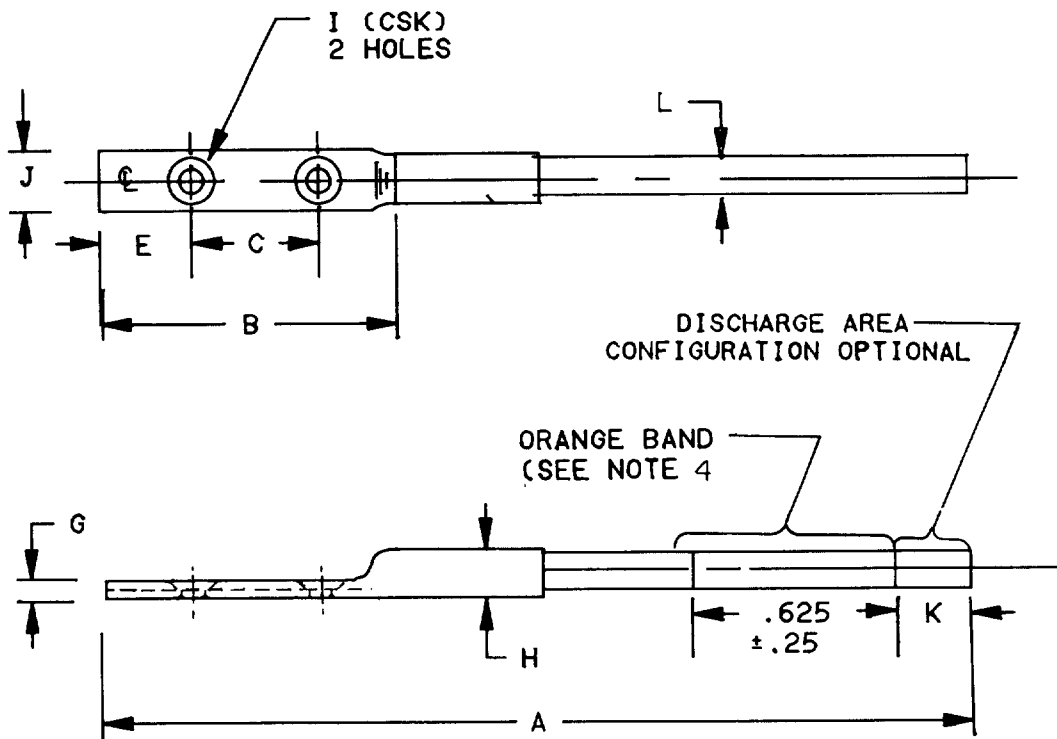


FIGURE 1. Dimensions and configurations.

MIL-D-9129/1A



CONFIGURATION B



CONFIGURATION C

FIGURE 1. Dimensions and configurations - Continued.

MIL-D-9129/1A

Part number M9129/01-1/	Overall length	Length to bend line	Hole location	Length of slot	Distance from end of bracket to start of slot	Width of slot	Thickness of swage area	Diameter of bracket	Diameter of hole	Width of bracket	Length of discharge area	Diameter of shaft	Height on angle type chargers	Config.
	max A	max B	C	D	E	F	max G	max H	I	max J	max K	max L	max M	
01--	10.75	3.62	1.59	.62	.22	.160	.150	.438	.189	.600	.563	.350	2.70	A
02--	13.50	4.50	1.59	.62	.22	.160	.200	.490	.189	.650	1.50	.280	--	B
03--	8.70	3.0	1.06	--	.50	--	.160	.39	.130	.530	.500	.270	--	C

1/ Part numbers shall include additional symbols to indicate magnetism and lightning survivability (See part number example).

Inches	mm	Inches	mm
.130	3.30	.530	13.46
.150	38.10	.563	14.30
.160	4.06	.600	15.24
.189	4.80	.62	15.8
.200	50.80	.650	16.51
.22	5.6	1.06	26.9
.25	6.4	1.59	40.4
.270	6.86	3.0	7.6
.280	7.11	3.62	92.0
.350	8.89	4.50	114.3
.39	9.9	8.70	221.0
.438	11.13	10.75	273.1
.490	12.45	13.50	342.9

NOTES:

- Dimensions are in inches.
- Metric equivalents are given for general information only.
- Unless otherwise specified, tolerances are ± 0.02 (0.51 mm) for two place decimals and ± 0.10 (0.25 mm) for three place decimals.
- An international orange band, $.625 \pm .25$ (15.88 \pm 6.4 mm) inches long, shall encircle diameter L to visually indicate the tip fail point dimensioned by K.

FIGURE 1. Dimensions and configurations - Continued.

MIL-D-9129/1A

REQUIREMENTS:

Design and construction: See figure 1.

Weight (in grams): 40 grams maximum.

Rigidity: Nonrigid dischargers are described by configuration B.

Magnetism: Nonmagnetic dischargers shall be designated with "A", and magnetic dischargers shall be designated with "M".

Lightning survivability: Electrostatic dischargers with lightning survivability characteristics shall be designated "P", and dischargers without lightning survivability characteristics shall be designated "U".

Part number (example):	M9129/01-	01	M	U
Military designator and specification number				
Physical dimensions (see figure 1)	_____			
Magnetism	_____			
Lightning survivability	_____			

Revision letters are not used to denote changes due to the extensiveness of the changes.

Custodians:

Army - ER
Navy - AS
Air Force - 85

Review activities:

Army - CE, MI
Air Force - 11, 17, 99

User activities:

Navy - MC
Air Force - 14, 19

Preparing activity:

Air Force - 85

Agent:

DLA - ES

(Project 5920-0409-1)