

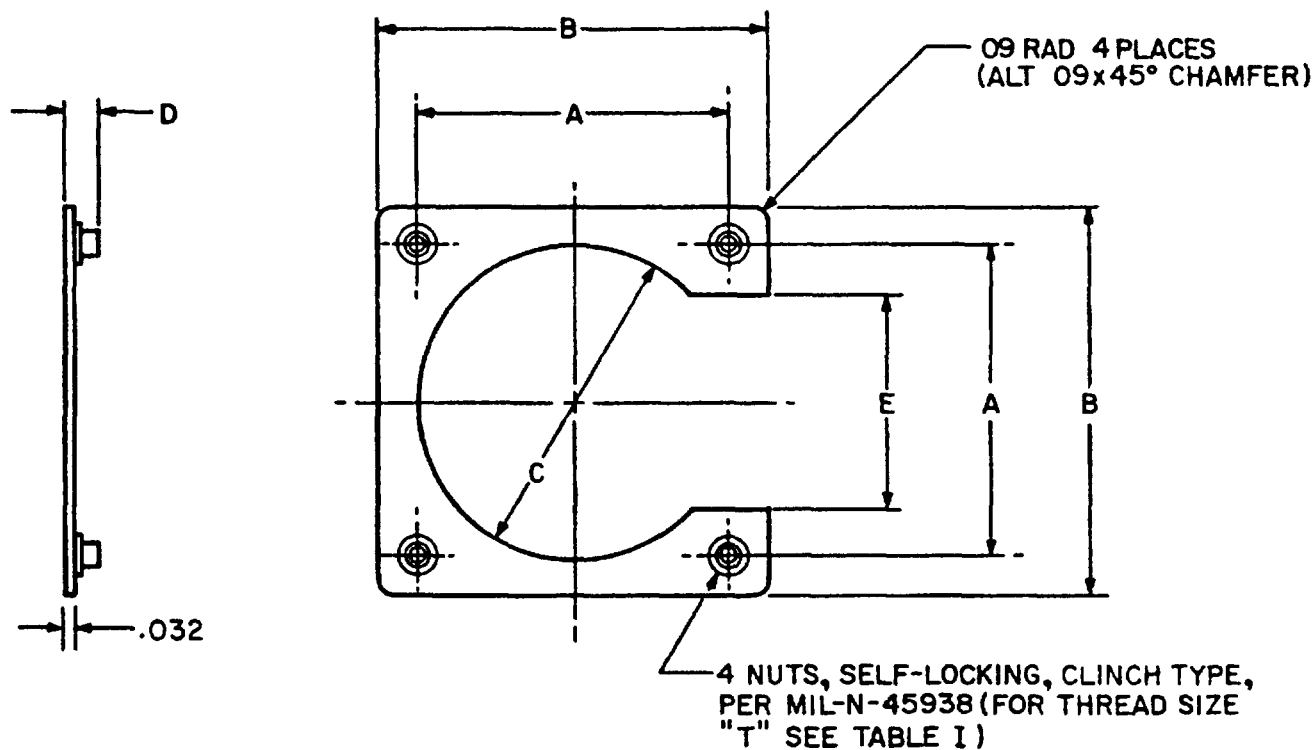
MIL-C-85528/2
19 May 1983

MILITARY SPECIFICATION SHEET

CONNECTOR, ELECTRICAL, MOUNTING DEVICE, FLANGE TYPE,
3/4 MOUNTING PERIMETER DEVICE, TYPE II (MEDIUM DUTY)

This specification is approved for use by all Departments and Agencies of the Department of Defense.

The complete requirements for acquiring the mounting flanges described herein shall consist of this document and the latest issue of specification MIL-C-85528.



NOTES:

1. Dimensions are in inches.
2. Metric equivalents are given for general information only.
3. Unless otherwise specified, tolerance is $\pm .010$.
4. Classes represents shell size variances (see Table I).
5. Cross referencing-applications (see Tables II and III).

FIGURE 1. Mounting flange, Type II.

MIL-C-85528/2

REQUIREMENTS:

Physical:

Material:

Mounting flanges - Aluminum alloy .040 thk, 2024-T3 per
 QQ-A-250/4 and .040 thk, 6061-T6 per
 QQ-A-250/11

Nut, self-locking, clinch type - Alloy steel per MIL-N-45938;
 if a corrosion resistant steel
 is required (use AISI 303 per
 FED-STD-66 or A286 per AMS 5734).
 Add -01 to Part No. (see example).

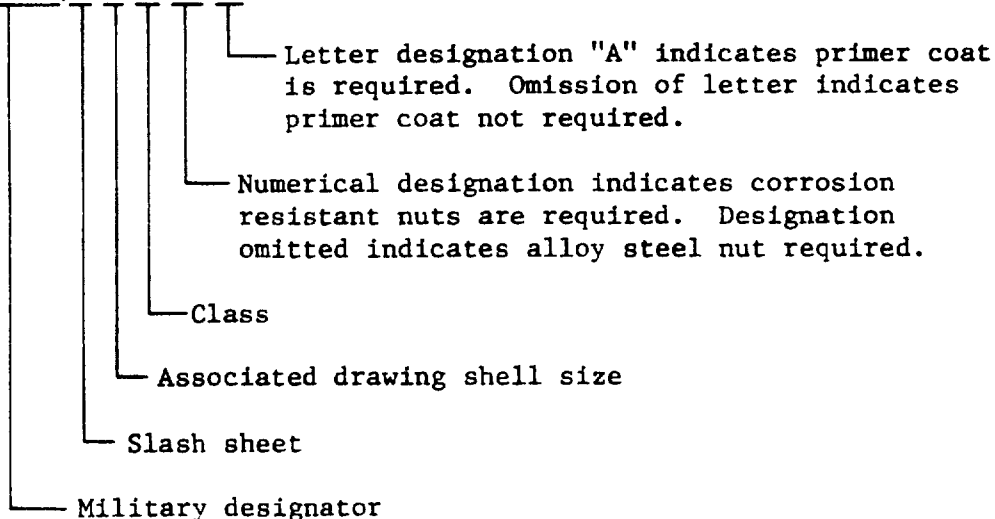
Finish:

Mounting flanges - Alodine per MIL-C-5541. Epoxy polyamide
 primer, 2 coats applied per MIL-P-23377,
 if required (see example).

Nut, self-locking, clinch type - Cadmium plate per QQ-P-416,
 Type II, Class 3, supplementary
 molybdenum disulfide coating.

MILITARY PART NUMBER:

Example: M85528/2-8-A-01-A



MIL-C-85528/2

TABLE I. Mounting flanges.

PART NUMBER M85528/2-	CLASS	SHELL SIZE	T THRD UNC-3B	A $\pm .003$	B $\pm .015$	C $\pm .015$ $-.000$	D	E $\pm .000$ $-.030$
3	A	3	4-40	.625	.925	.641	.106/.166	.325
6	A	6	4-40	.469	.755	.535	.106/.166	.183
7	A	7	4-40	.719	1.019	.688	.106/.166	.433
8	A	8	4-40	.594	.880	.570	.106/.166	.308
10	A B	10	4-40 6-32	.719 .812	1.019 1.187	.720 .749	.106/.166 .123/.183	.433 .433
12	A B	12	4-40 6-32	.812 .938	1.104 1.132	.855 .938	.106/.166 .123/.183	.530 .526
14	A B	14	4-40 6-32	.906 1.031	1.198 1.406	.984 1.031	.106/.166 .123/.183	.624 .620
16	A B	16	4-40 6-32	.969 1.125	1.280 1.500	1.094 1.125	.106/.166 .123/.183	.687 .683
18	A B	18	4-40 6-32	1.062 1.203	1.406 1.578	1.220 1.234	.106/.166 .123/.183	.780 .776
19	A	19	4-40	.906	1.192	.953	.106/.166	.620
20	A B	20	4-40 6-32	1.156 1.297	1.535 1.688	1.345 1.359	.106/.166 .123/.183	.874 .865
22	A B	22	4-40 6-32	1.250 1.375	1.665 1.738	1.478 1.483	.106/.166 .123/.183	.968 .907
24	A B	24	6-32 6-32	1.500 1.375	1.891 1.785	1.560 1.595	.123/.183 .123/.183	1.000 1.031
25	A	25	6-32	1.500	1.891	1.658	.123/.183	1.125
27	A	27	4-40	.969	1.255	1.094	.106/.166	.683
28	A	28	6-32	1.562	2.000	1.820	.123/.183	1.125
32	A	32	6-32	1.750	2.312	2.062	.123/.183	1.188
36	A	36	6-32	1.938	2.500	2.312	.123/.183	1.375
37	A	37	4-40	1.187	1.500	1.281	.106/.166	.874
61	A	61	4-40	1.437	1.812	1.594	.106/.166	1.062

MIL-C-85528/2

TABLE II Mounting flange, cross reference Type II, Class A

PROC SPEC	MIL-STD	SHELL SIZES										PART NO	ASSOCIATED DRAWING SHELL SIZES																			
		8S	10	10SL	12S	12	14S	14	16S	16	18		8	10	12	14	16	18	20	22	24	26	28	30	32	36						
MIL-C-5015	3100	8S	10	10SL	12S	12	14S	14	16S	16	18	M85528/2	8	10	12	14	16	18	8	10	12	14	16	18	20	22	24	26	28	30	32	36
	3102	8S	10S	10SL	12S	12	14S	14	16S	16	18		8	10	12	14	16	18	8	10	12	14	16	18	20	22	24	26	28	30	32	36
MIL-C-26482	3110	8	10	12	14	16	18	20	22	24		8	10	12	14	16	18	8	10	12	14	16	18	20	22	24	26	28	30	32	36	
	3112	8	10	12	14	16	18	20	22	24		8	10	12	14	16	18	8	10	12	14	16	18	20	22	24	26	28	30	32	36	
	3120	8	10	12	14	16	18	20	22	24		8	10	12	14	16	18	8	10	12	14	16	18	20	22	24	26	28	30	32	36	
	3122	8	10	12	14	16	18	20	22	24		8	10	12	14	16	18	8	10	12	14	16	18	20	22	24	26	28	30	32	36	
	3470	8	10	12	14	16	18	20	22	24		8	10	12	14	16	18	8	10	12	14	16	18	20	22	24	26	28	30	32	36	
	3472	8	10	12	14	16	18	20	22	24		8	10	12	14	16	18	8	10	12	14	16	18	20	22	24	26	28	30	32	36	
MIL-C-81703	3130	3	7	12	19	27	37					8	10	12	14	16	8	10	12	14	16	20	22	24	26	28	30	32	36			
MIL-C-27599	20026	9	11	13	15	17	19	21	23	25		10	12	14	16	18	10	12	14	16	18	20	22	24	26	28	30	32	36			
	20030	9	11	13	15	17	19	21	23	25		10	12	14	16	18	10	12	14	16	18	20	22	24	26	28	30	32	36			
	27334	8	10	12	14	16	18	20	22	24		8	10	12	14	16	8	10	12	14	16	18	20	22	24	26	28	30	32	36		
	27335	8	10	12	14	16	18	20	22	24		8	10	12	14	16	8	10	12	14	16	18	20	22	24	26	28	30	32	36		
	27338	8	10	12	14	16	18	20	22	24		8	10	12	14	16	8	10	12	14	16	18	20	22	24	26	28	30	32	36		
	27339	8	10	12	14	16	18	20	22	24		8	10	12	14	16	8	10	12	14	16	18	20	22	24	26	28	30	32	36		
MIL-C-38999	27466	9	11	13	15	17	19	21	23	25		10	12	14	16	18	10	12	14	16	18	20	22	24	26	28	30	32	36			
	27469	9	11	13	15	17	19	21	23	25		10	12	14	16	18	10	12	14	16	18	20	22	24	26	28	30	32	36			
	27472	8	10	12	14	16	18	20	22	24		8	10	12	14	16	8	10	12	14	16	18	20	22	24	26	28	30	32	36		
	27475	8	10	12	14	16	18	20	22	24		8	10	12	14	16	8	10	12	14	16	18	20	22	24	26	28	30	32	36		
	27476	8	10	12	14	16	18	20	22	24		8	10	12	14	16	8	10	12	14	16	18	20	22	24	26	28	30	32	36		
	27496	9	11	13	15	17	19	21	23	25		10	12	14	16	18	10	12	14	16	18	20	22	24	26	28	30	32	36			
	27497	8	10	12	14	16	18	20	22	24		8	10	12	14	16	8	10	12	14	16	18	20	22	24	26	28	30	32	36		
	27499	8	10	12	14	16	18	20	22	24		8	10	12	14	16	8	10	12	14	16	18	20	22	24	26	28	30	32	36		
	27505	9	11	13	15	17	19	21	23	25		10	12	14	16	18	10	12	14	16	18	20	22	24	26	28	30	32	36			
	27508	8	10	12	14	16	18	20	22	24		8	10	12	14	16	8	10	12	14	16	18	20	22	24	26	28	30	32	36		
	27513	8	10	12	14	16	18	20	22	24		8	10	12	14	16	8	10	12	14	16	18	20	22	24	26	28	30	32	36		
	27515	9	11	13	15	17	19	21	23	25		10	12	14	16	18	10	12	14	16	18	20	22	24	26	28	30	32	36			
MIL-C-81511	-----	--	--	--	--	--	--	--	--	--		--	--	--	--	--	--	--	--	--	--	--	--	--	--	--	--	--	--			
MIL-C-83723	/1A	8	10	12	14	16	18	20	22	24		8	10	12	14	16	8	10	12	14	16	18	20	22	24	26	28	30	32	36		
	/2B	8	10	12	14	16	18	20	22	24		8	10	12	14	16	8	10	12	14	16	18	20	22	24	26	28	30	32	36		
	/3B	10	12	14	16	18	20	22	24		12	--	--	--	--	--	--	--	--	--	--	--	--	--	--	--	--	--	--			
	/4B	10	12	14	16	18	20	22	24		--	--	--	--	--	--	--	--	--	--	--	--	--	--	--	--	--	--	--			

MIL-C-85528/2

TABLE III Mounting flange, cross reference Type II, Class B

PROC SPEC	MIL-STD	SHELL SIZES							PART NO	ASSOCIATED DRAWING SHELL SIZES						
		85	10	10SL	12S	12	14S	14		16S	16	18				
MIL-C-5015	3100	8	10	10SL	12S	12	14S	14	16S	16	18					
		20	22	24	28	32	36									
	3102	85	10S	10SL	12S	12	14S	14	16S	16	18					
		20	22	24	28	32	36									
MIL-C-26482	3110	8	10	12	14	16	18	20	22	24						
	3112	8	10	12	14	16	18	20	22	24						
	3120	8	10	12	14	16	18	20	22	24						
	3122	8	10	12	14	16	18	20	22	24						
	3470	8	10	12	14	16	18	20	22	24						
	3472	8	10	12	14	16	18	20	22	24						
	3130	3	7	12	19	27	37									
MIL-C-27599	20026	9	11	13	15	17	19	21	23	25						
	20030	9	11	13	15	17	19	21	23	25						
	27334	8	10	12	14	16	18	20	22	24						
	27335	8	10	12	14	16	18	20	22	24						
	27338	8	10	12	14	16	18	20	22	24						
	27339	8	10	12	14	16	18	20	22	24						
	27466	9	11	13	15	17	19	21	23	25						
MIL-C-38999	27469	9	11	13	15	17	19	21	23	25						
	27472	8	10	12	14	16	18	20	22	24						
	27475	8	10	12	14	16	18	20	22	24						
	27476	8	10	12	14	16	18	20	22	24						
	27496	9	11	13	15	17	19	21	23	25						
	27497	8	10	12	14	16	18	20	22	24						
	27499	8	10	12	14	16	18	20	22	24						
	27505	9	11	13	15	17	19	21	23	25						
	27508	8	10	12	14	16	18	20	22	24						
	27513	8	10	12	14	16	18	20	22	24						
	27515	9	11	13	15	17	19	21	23	25						
	27516	9	11	13	15	17	19	21	23	25						
	MIL-C-81511	-----														
/1A		8	10	12	14	16	18	20	22	24						
/2B		8	10	12	14	16	18	20	22	24						
MIL-C-83723	/3B	10	12	14	16	18	20	22	24	--						
	/4B	10	12	14	16	18	20	22	24	--						
		10	12	14	16	18	20	22	24	--						

MIL-C-85528/2

Custodians:

Army - CR
Navy - AS
Air Force - 85

Preparing activity:

Navy - AS
(Project No. 5935-3284-2)

Review activities:

Army - AR, MI
Navy - EC, SH
Air Force - 11, 99
DLA - ES

User activities:

Army
Navy
Air Force