

INCH-POUND

MIL-C-81975B
AMENDMENT 2
31 October 2000
SUPERSEDING
INT. AMENDMENT 1(AS)
16 July 1990

MILITARY SPECIFICATION

COUPLING, REGULATED, AERIAL, PRESSURE REFUELING TYPE MA-3

This amendment forms a part of MIL-C-81975B, dated 01 April 1982 and is approved for use by all Departments and Agencies of the Department of Defense.

PAGE 5

- * 3.1: Delete and substitute:
- * “3.1 First article inspection. When specified (see 6.2), a sample shall be subjected to first article inspection in accordance with 4.3.”

PAGE 10

- * 4.2a: Delete “Qualification” and substitute “First article.”
- * 4.3: Delete “Qualification” in the title and substitute “First article.” In the first, third and seventh lines delete “Qualification” and substitute “First article.”

PAGE 11

- * 4.3.2 and 4.3.3: Delete.

PAGE 24

- * 6.2.1c: Delete.

AMSC N/A

1 of 6

FSC 1680

DISTRIBUTION STATEMENT A. Approved for public release; distribution is unlimited.

MIL-C-81975B
AMENDMENT 2

PAGE 26

Figure 1: Delete and substitute the attached figure 1. Figure 1 forms page 3, 4, and 5 of this amendment.

PAGE 28

Figure 2: Delete page number "28" and substitute 29.

PAGE 29

Figure 3: Delete page number "29" and substitute 30.

PAGE 30

Figure 4: Delete page number "30" and substitute 31.

PAGE 31

Figure 5: Delete page number "31" and substitute 32.

Note: The margins of this amendment are marked with an asterisk to indicate where changes from the previous amendment were made. This was done as a convenience only and the Government assumes no liability whatsoever for any inaccuracies in these notations. Bidders and contractors are cautioned to evaluate the requirements of this document based on the entire content irrespective of the marginal notations and relationship to the last previous amendment.

MIL-C-81975B
AMENDMENT 2

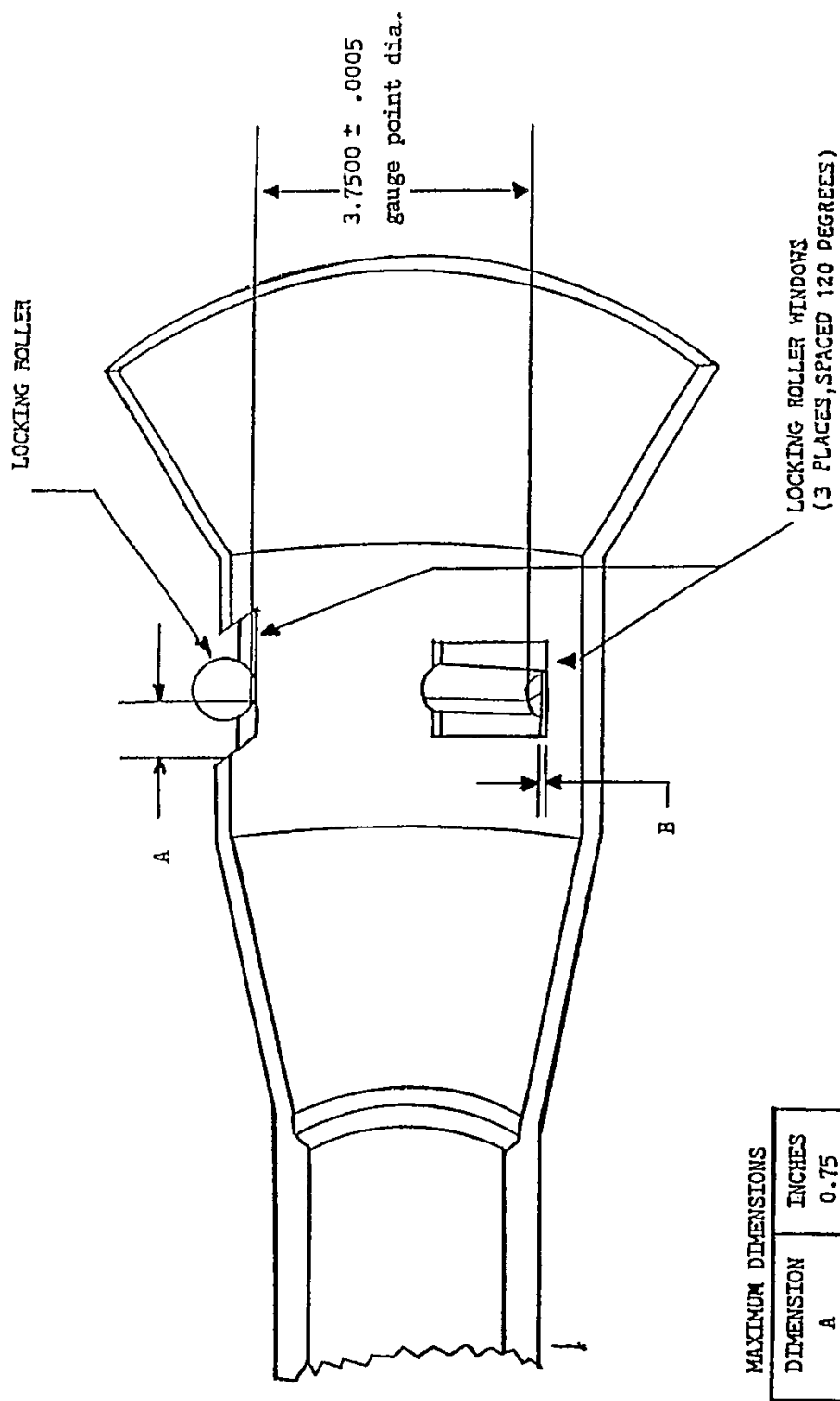


FIGURE 1. Coupling dimensions (SHEET 2 of 3)

MIL-C-81975B
AMENDMENT 2

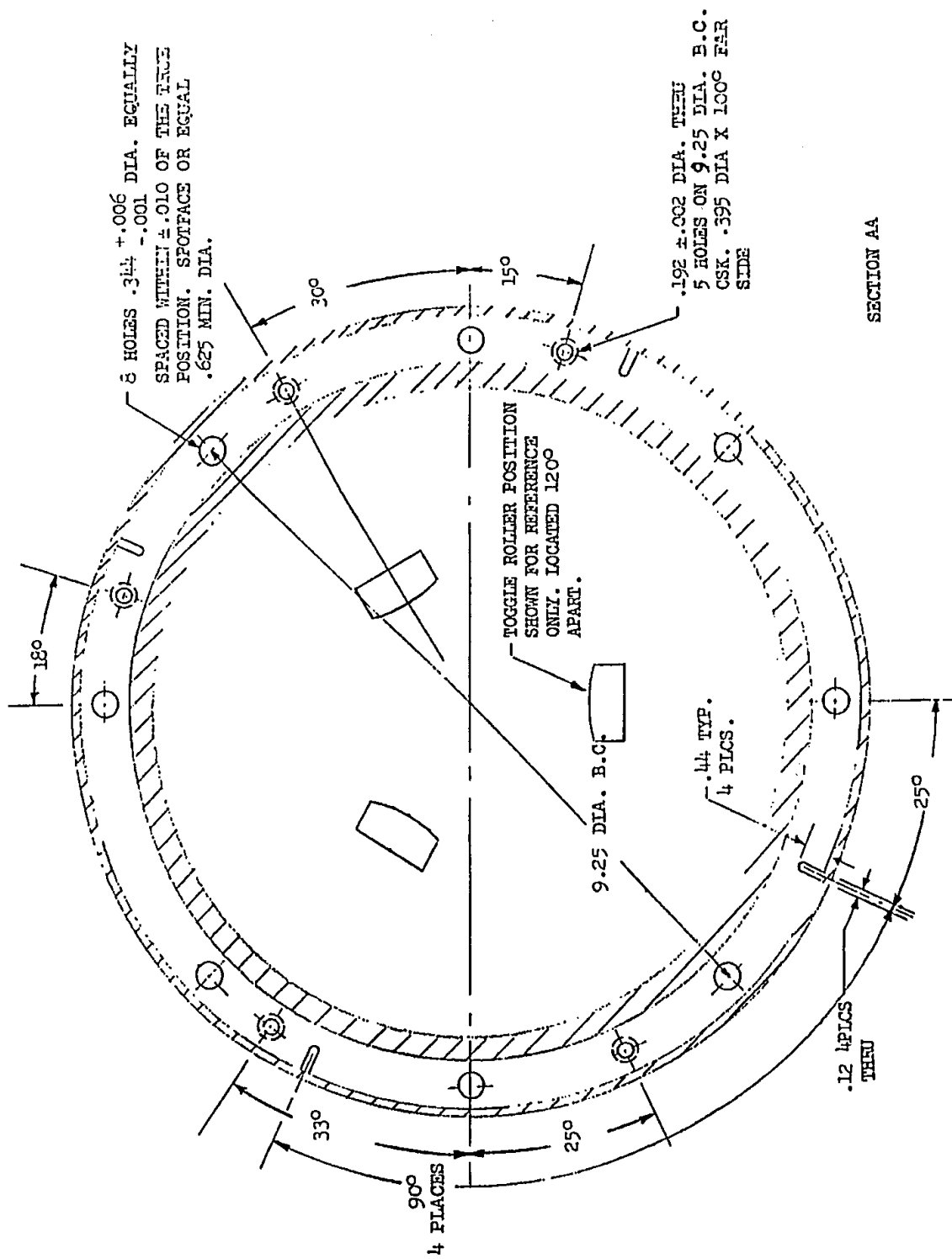


FIGURE 1. Coupling dimensions (SHEET 3 of 3)

MIL-C-81975B
AMENDMENT 2

Custodians:
Navy - AS
Air Force - 99

Preparing activity:
Navy - AS

(Project 1680-0836)