

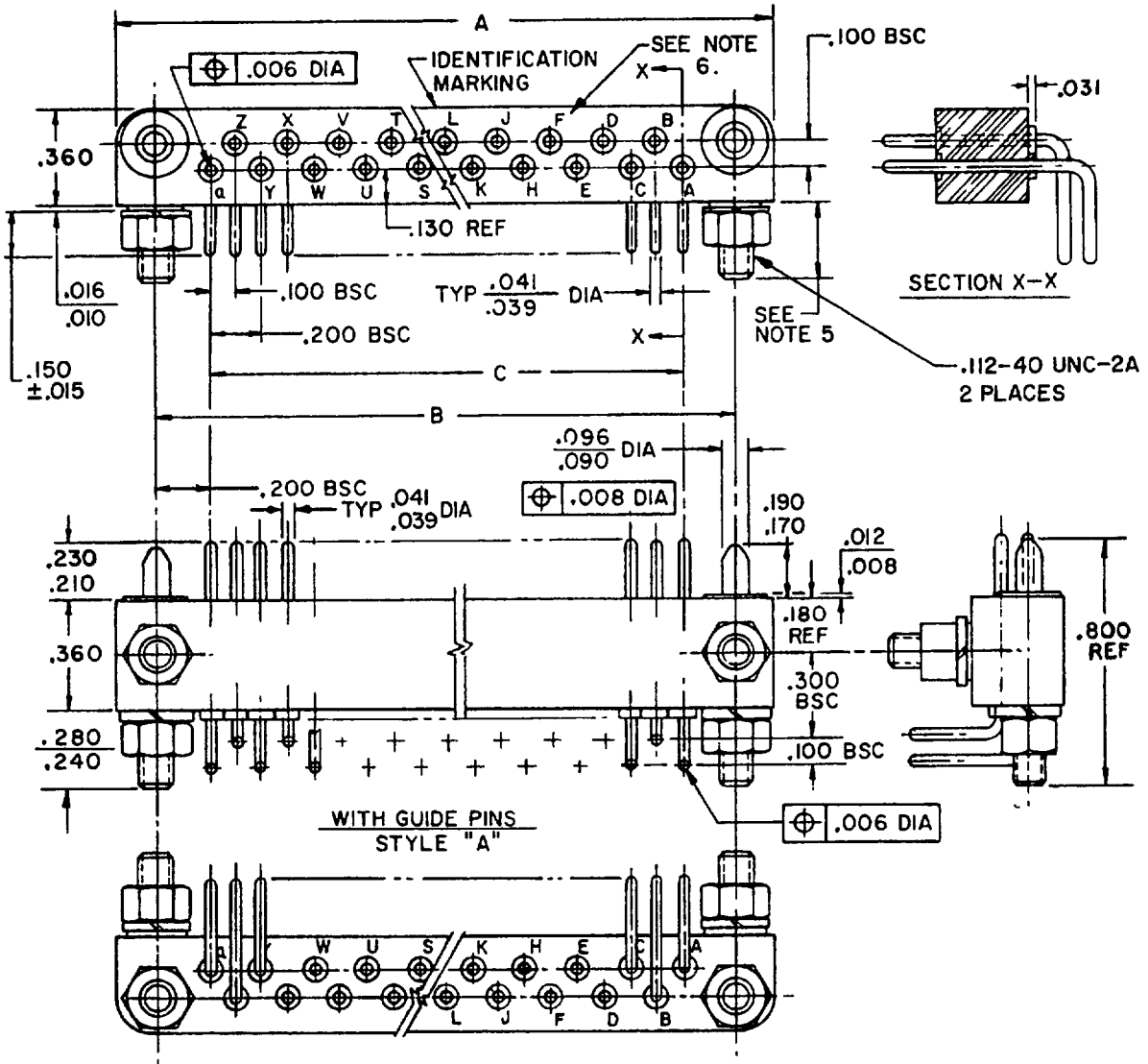
MIL-C-55302/16B  
 6 March 1973  
 SUPERSEDING  
 MIL-C-55302/16A  
 11 August 1970

MILITARY SPECIFICATION SHEET

CONNECTORS, PRINTED CIRCUIT SUBASSEMBLY AND ACCESSORIES:  
 PIN, RIGHT-ANGLE, FOR PRINTED WIRING BOARDS (.200 SPACING)

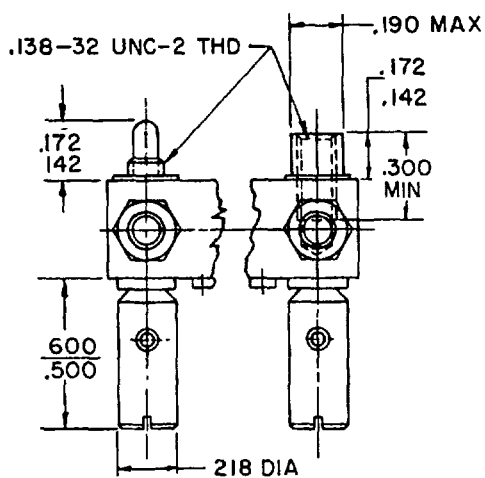
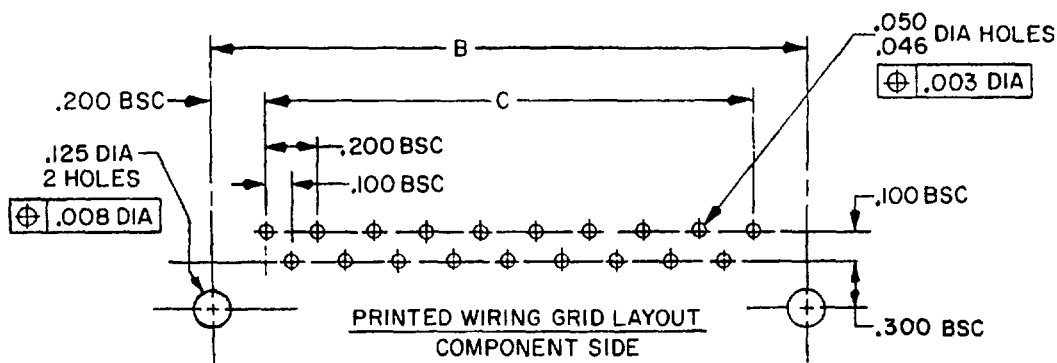
The complete requirements for procuring the connector described herein shall consist of this document and the latest issue of Specification MIL-C-55302.

This specification is approved for use by all Departments and Agencies of the Department of Defense.

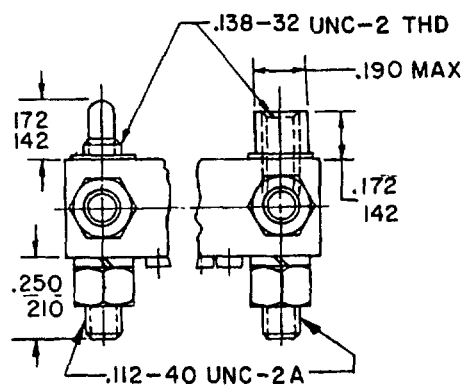


FSC 5935

MIL-C-55302/16B



WITH ROTATING SCREWLOCKS  
STYLE "C"



WITH FIXED SCREWLOCKS  
STYLE "D"

TABLE I Dimensions and dash number.

Guide pins	Rotating screwlocks	Fixed screwlocks	No. contacts	Dimensions		
				A ± .010	B BSC	C Ref
<u>Dash no.</u>	<u>Dash no.</u>	<u>Dash no.</u>				
01	07	13	7	1.300	1.000	.600
02	08	14	9	1.500	1.200	.800
03	09	15	11	1.700	1.400	1.000
04	10	16	15	2.100	1.800	1.400
05	11	17	19	2.500	2.200	1.800
06	12	18	23	2.900	2.600	2.200
19	20	21	37	4.300	4.000	3.600

FIGURE - Continued

INCHES	MM	INCHES	MM	INCHES	MM
.003	.08	.041	1.04	.150	3.81
.006	.15	.046	1.17	.170	4.32
.008	.20	.050	1.27	.172	4.37
.010	.25	.090	2.29	.180	4.57
.012	.30	.096	2.44	.190	4.83
.015	.38	.100	2.54	.200	5.08
.016	.41	.125	3.18	.210	5.33
.031	.79	.130	3.30	.218	5.54
.039	.99	.142	3.61	.230	5.84

INCHES	MM	INCHES	MM	INCHES	MM
.240	6.10	1.200	30.48	2.600	66.04
.250	6.35	1.300	33.02	2.900	73.66
.280	7.11	1.400	35.56	3.600	91.44
.300	7.62	1.500	38.10	4.000	101.60
.360	9.14	1.700	43.18	4.300	109.22
.500	12.70	1.800	45.72		
.600	15.24	2.100	53.34		
.800	20.32	2.200	55.88		
1.000	25.40	2.500	63.50		

## NOTES:

1. Dimensions are in inches.
2. Metric equivalents (to the nearest .01 mm) are given for general information only and are based upon 1 inch = 25.4 mm.
3. Unless otherwise specified, tolerance is  $\pm .005$  (.13 mm).
4. These connectors mate with connectors specified in MIL-C-55302/17 and are primarily for use with single-sided and double-sided printed wiring board.
5. Mounting screws for .062(1.57 mm) and .094(2.39 mm) thick printed wiring boards shall be .250(6.35 mm) long.
6. Contact identification letters may be molded as shown on horizontal.

FIGURE - Continued.

MIL-C-55302/16B

## REQUIREMENTS

Dimensions and configuration - - - - -	See figure and table I.
Material - - - - -	Style A mounting and guidance hardware shall be brass rod, alloy 260, half hard as specified in QQ-B-626, nickel plated .0002" thick per QQ-N-290. Styles C and D mounting guidance hardware shall be corrosion resistant steel per QQ-S-763, class 303, passivated per QQ-P-35.
Contact identification - - - - -	Shall be alphabetical and sequential in the pattern indicated, using upper case characters followed by lower case characters.
Mating and unmating - - - - -	The maximum insertion force, in pounds, shall not exceed a value equal to 1.0 times the number of contacts, and the withdrawal force, in pounds, shall be a minimum of 0.25 times the number of contacts, and shall not exceed the measured insertion force.
Contact resistance - - - - -	The average resistance of all contact pairs measured shall not exceed 0.015 ohm, and no individual contact pair shall have a resistance exceeding 0.020 ohm.
Dielectric withstanding voltage:	
Sea level - - - - -	1,000 volts rms, 60 cycles, ac.
High altitude - - - - -	500 volts rms, 60 cycles, ac
Pin size - - - - -	20
Wire size - - - - -	20
Current rating, maximum - - - - -	7.5 amperes.
Part number - - - - -	M55302/16- (dash number from table I).

## Custodians:

Army - EL  
Navy - EC  
Air Force - 17

## Preparing activity:

Army - EL

## Agent

DSA - ES

## Review activities:

Army - MI, MU, SL, WC  
Navy - AS  
Air Force - 11, 17, 80  
DSA - ES

(Project 5935-1815-16)

## User activities:

Army - AT, AV, MU  
Navy - MC, OS, SH  
Air Force - 19

SPECIFICATION ANALYSIS SHEET		Form Approved Budget Bureau No 22-R255
<p><b>INSTRUCTIONS:</b> This sheet is to be filled out by personnel, either Government or contractor, involved in the use of the specification in procurement of products for ultimate use by the Department of Defense. This sheet is provided for obtaining information on the use of this specification which will insure that suitable products can be procured with a minimum amount of delay and at the least cost. Comments and the return of this form will be appreciated. Fold on lines on reverse side, staple in corner, and send to preparing activity. Comments and suggestions submitted on this form do not constitute or imply authorization to waive any portion of the referenced document(s) or serve to amend contractual requirements.</p>		
<p>SPECIFICATION <b>MIL-C-55302/16B CONNECTORS, PRINTED CIRCUIT SUBASSEMBLY AND ACCESSORIES: PIN, RIGHT-ANGLE, FOR PRINTED WIRING BOARDS (.200 SPACING)</b></p>		
ORGANIZATION		
CITY AND STATE		CONTRACT NUMBER
<p>MATERIAL PROCURED UNDER A</p> <p><input type="checkbox"/> DIRECT GOVERNMENT CONTRACT      <input type="checkbox"/> SUBCONTRACT</p>		
<p>1. HAS ANY PART OF THE SPECIFICATION CREATED PROBLEMS OR REQUIRED INTERPRETATION IN PROCUREMENT USE?</p> <p>A. GIVE PARAGRAPH NUMBER AND WORDING</p>		
<p>B. RECOMMENDATIONS FOR CORRECTING THE DEFICIENCIES</p>		
<p>2. COMMENTS ON ANY SPECIFICATION REQUIREMENT CONSIDERED TOO RIGID</p>		
<p>3. IS THE SPECIFICATION RESTRICTIVE?</p> <p><input type="checkbox"/> YES      <input type="checkbox"/> NO (If "yes", in what way?)</p>		
<p>4. REMARKS (Attach any pertinent data which may be of use in improving this specification. If there are additional papers, attach to form and place both in an envelope addressed to preparing activity)</p>		
SUBMITTED BY (Printed or typed name and activity - Optional)		DATE

To detach this form, cut along this line

DD FORM 1426  
1 JAN 66

REPLACES EDITION OF 1 OCT 64 WHICH MAY BE USED

ESC-FM 1068-68

FOLD

Department of the Army  
Headquarters  
U.S. Army Electronics Command  
Fort Monmouth, New Jersey 07703

POSTAGE AND FEES PAID

OFFICIAL BUSINESS

Commanding General  
U.S. Army Electronics Command  
ATTN: AMSEL- RD-ED  
Fort Monmouth, New Jersey 07703

To detach this form, cut along this line

FOLD