

MIL-C-39012C  
 SUPPLEMENT 1  
30 September 1982  
 SUPERSEDING  
 SUPPLEMENT 1B  
 1 November 1979

MILITARY SPECIFICATION

CONNECTORS, COAXIAL, RADIOFREQUENCY,

GENERAL SPECIFICATION FOR

This supplement forms a part of Military Specification MIL-C-39012C, dated

SPECIFICATION SHEETS

MIL-C-39012/1	-	Connectors, Plug, Electrical, Coaxial, Radio Frequency (Series N (Cabled), Pin Contact, Class 2).
MIL-C-39012/2	-	Connectors, Plugs and Receptacles, Electrical, (Coaxial, Radio Frequency, (Series N (Cabled), Flange Mounted, Socket Contact, Class 2).
MIL-C-39012/3	-	Connectors, Receptacle, Electrical, Coaxial, Radio Frequency, (Series N (Cabled), Jam Nut Mounted, Socket Contact, Class 2).
MIL-C-39012/4	-	Connectors, Coaxial, Radio Frequency (Series N (Uncabled) - Receptacles - Jam Nut and Flange Mounted, Socket Contact, Class 2).
MIL-C-39012/5	-	Connectors, Plug, Electrical, Coaxial, Radio Frequency, (Series N (Cabled), Right Angle, Pin Contact, Class 2).
MIL-C-39012/6	-	Connectors, Plug, Electrical, Coaxial, Radio Frequency, (Series C, (Cabled), Male, Class 2).
MIL-C-39012/7	-	Connectors, Plug, Electrical, Coaxial, Radio Frequency, (Series C, (Cabled), Female, Class 2).
MIL-C-39012/8	-	Connectors, Receptacle, Electrical, Coaxial, Radio Frequency, (Series C, (Cabled), Female, Flange Mounted, Rear Mounted, Class 2).
MIL-C-39012/9-	-	Connectors, Coaxial, Radio Frequency Series C (Cable-Receptacle, Female, Jam Nut, Front Mounted, Class 2).
MIL-C-39012/10	-	Connectors, Plug, Electrical, Coaxial, Radio Frequency, (Series C, (Cabled), Male, Right Angle, Class 2).
MIL-C-39012/11	-	Connectors, Receptacle, Electrical, Coaxial, Radio Frequency, (Series C, (Cabled), Female, Jam Nut, Rear Mounted, Class 2).
MIL-C-39012/12	-	Connectors, Coaxial, Radio Frequency, Series L (Uncabled-Receptacle, Female, Flange Mounted, Rear Mounted, Class 2).
MIL-C-39012/13	-	Connectors, Coaxial, Radio Frequency, Series C (Uncabled-Receptacle, Female, Jam Nut Mounted, Front Mounted, Pressurized, Class 2).
MIL-C-39012/14	-	Connectors, Coaxial, Radio Frequency Series C (Uncabled-Receptacle, Female, Jam Nut Mounted, Hermetic Seal, Class 2).
MIL-C-39012/15	-	Connectors, Plug, Electrical, Coaxial, Radio Frequency (Series C, (Cabled), Male, Class 2).
MIL-C-39012/16	-	Connectors, Plug, Electrical, Coaxial, Radio Frequency (Series BNC (Cabled), Pin Contact, Class 2).
MIL-C-39012/17	-	Connectors, Plug, Electrical, Coaxial, Radio Frequency, (Series BNC, (Cabled), Socket Contact, Class 2).
MIL-C-39012/18	-	Connectors, Receptacle, Electrical, Coaxial, Radio Frequency, (Series BNC (Cabled), Socket Contact, Flange Mounted, Class 2).
MIL-C-39012/19	-	Connectors, Receptacle, Electrical, Coaxial, Radio Frequency, (Series BNC (Cabled), Socket Contact, Jam Nut Mounted, Class 2).
MIL-C-39012/20	-	Connectors, Plug, Electrical, Coaxial, Radio Frequency, (Series BNC (Cabled), Pin Contact, Right Angle, Class 2).
MIL-C-39012/21	-	Connectors, Coaxial, Radio Frequency (Series BNC (Uncabled) - Receptacles, Female, Jam Nut Mounted, Class 2).

MIL-C-39012C  
SUPPLEMENT 1

- MIL-C-39012/22 - Connectors, Coaxial, Radio Frequency, (Series BNC (Uncabled) - Receptacles, Female, Flange Mounted, Class 2).
- MIL-C-39012/23 - Connectors, Coaxial, Radio Frequency, (Series BNC (Uncabled) - Receptacles, Female, Right Angle, Class 2).
- MIL-C-39012/24 - Connectors, Coaxial, Radio Frequency, (Series BNC (Uncabled) - Receptacles, Female, Hermetic Sealed, Jam Nut Mounted, Class 2).
- MIL-C-39012/25 - Connectors, Coaxial, Radio Frequency (Hardware for Radio Frequency Coaxial Connectors).
- MIL-C-39012/26 - Connectors, Plug, Electrical, Coaxial, Radio Frequency, (Series TNC (Cabled), Pin Contact, Class 2).
- MIL-C-39012/27 - Connectors, Plug, Electrical, Coaxial, Radio Frequency, (Series TNC (Cabled), Socket Contact, Class 2).
- MIL-C-39012/28 - Connectors, Receptacle, Electrical, Coaxial, Radio Frequency, (Series TNC (Cabled), Socket Contact, Jam Nut Mounted, Class 2).
- MIL-C-39012/29 - Connectors, Receptacle, Electrical, Coaxial, Radio Frequency, (Series TNC (Cabled), Socket Contact, Flange Mounted, Class 2).
- MIL-C-39012/30 - Connectors, Plug, Electrical, Coaxial, Radio Frequency, (Series TNC (Cabled), Pin Contact, Right Angle, Class 2).
- MIL-C-39012/31 - Connectors, Coaxial, Radio Frequency, (Series TNC (Uncabled) - Receptacle, Socket, Jam Nut Mounted, Class 2).
- MIL-C-39012/32 - Connectors, Coaxial, Radio Frequency Series TNC (Uncabled - Receptacle, Socket, Flange Mounted, Class 2).
- MIL-C-39012/33 - Connectors, Coaxial, Radio Frequency, Series TNC (Uncabled - Receptacle, Socket, Right Angle, Class 2).
- MIL-C-39012/34 - Connectors, Coaxial, Radio Frequency, Series TNC (Uncabled - Receptacle, Socket, Hermetic Sealed, Jam Nut Mounted, Class 2).
- MIL-C-39012/35 - Connectors, Plug, Electrical, Coaxial, Radio Frequency, (Series SC (Cabled), Pin Contact, Class 2).
- MIL-C-39012/36 - Connectors, Plug, Electrical, Coaxial, Radio Frequency, (Series SC (Cabled), Socket Contact, Class 2).
- MIL-C-39012/37 - Connectors, Coaxial, Radio Frequency Series SC (Cabled-Receptacle, Female, Jam Nut, Front Mounted, Class 2).
- MIL-C-39012/38 - Connectors, Receptacle, Electrical, Coaxial, Radio Frequency, (Series SC (Cabled), Socket Contact, Flange Mounted, Rear Mounted, Class 2).
- MIL-C-39012/39 - Connectors, Plug, Electrical, Coaxial, Radio Frequency, (Series SC (Cabled), Pin Contact, Right Angle, Class 2).
- MIL-C-39012/40 - Connectors, Receptacle, Electrical, Coaxial, Radio Frequency, (Series SC (Cabled), Socket Contact, Jam Nut, Rear Mounted, Class 2).
- MIL-C-39012/41 - Connectors, Coaxial, Radio Frequency Series SC (Uncabled-Receptacle, Female, Flange, Rear Mounted, Class 2).
- MIL-C-39012/42 - Connectors, Coaxial, Radio Frequency, Series SC (Uncabled - Receptacle, Female, Jam Nut Mounted, Front Mounted, Class 2).
- MIL-C-39012/43 - Connectors, Coaxial, Radio Frequency Series SC (Uncabled - Receptacle, Female, Jam Nut Mounted, Rear Mounted, Class 2).
- MIL-C-39012/44 - Connectors, Plug, Electrical, Coaxial, Radio Frequency, (Series QL (Cabled), Male, Class 2).
- MIL-C-39012/45 - Connectors, Receptacle, Electrical, Coaxial, Radio Frequency, (Series QL (Cabled), Female, Jam Nut Mounted, Class 2).
- MIL-C-39012/46 - Connectors, Plug, Electrical, Coaxial, Radio Frequency, (Series QL (Cabled), Male, Right Angle, Class 2).
- MIL-C-39012/47 - Connectors, Coaxial, Radio Frequency, Series QL, (Uncabled - Receptacle, Female, Jam Nut Mounted, With Solder Terminals, Class 2).
- MIL-C-39012/48 - Connectors, Plug, Electrical, Coaxial, Radio Frequency, (Series QM (Cabled), Male, Class 2).
- MIL-C-39012/49 - Connectors, Receptacle, Electrical, Coaxial, Radio Frequency, (Series QM (Cabled), Female, Bulkhead, Class 2).
- MIL-C-39012/55 - Connectors, Coaxial, Radio Frequency (Series SMA (Cabled) - Plug, Pin Contact, Class 2).

MIL-C-39012C  
SUPPLEMENT 1

- MIL-C-39012/56 - Connectors, Coaxial, Radio Frequency (Series SMA (Cabled) - Plug, Pin Contact, Right Angle, Class 2).
- MIL-C-39012/57 - Connectors, Coaxial, Radio Frequency (Series SMA (Cabled) - Plug, Socket Contact, Class 2).
- MIL-C-39012/58 - Connectors, Coaxial, Radio Frequency (Series SMA (Cabled) - Receptacle, Socket Contact, Flange Mounted, Class 2).
- MIL-C-39012/59 - Connectors, Coaxial, Radio Frequency (Series SMA (Cabled) - Receptacle, Socket Contact, Jam Nut Mounted, Class 2).
- MIL-C-39012/60 - Connectors, Coaxial, Radio Frequency Series SMA (Uncabled-Receptacle, Female, Flange Mounted, Class 2).
- MIL-C-39012/61 - Connectors, Coaxial, Radio Frequency Series SMA (Uncabled-Receptacle, Female, Jam Nut Mounted, Class 2).
- MIL-C-39012/62 - Connectors, Coaxial, Radio Frequency Series SMA (Uncabled-Receptacle, Female, Jam Nut Mounted, Hermetic Seal, Class 2).
- MIL-C-39012/63 - Connectors, Coaxial, Radio Frequency, Series QSC (Cabled - Plugs, Male, Class 2).
- MIL-C-39012/64 - Connectors, Coaxial, Radio Frequency, Series QSC (Cabled - Plugs, Socket Contact, Class 2).
- MIL-C-39012/65 - Connectors, Coaxial, Radio Frequency, Series QNC (Cabled - Plugs, Male, Class 2).
- MIL-C-39012/66 - Connectors, Coaxial, Radio Frequency, Series QNC (Cabled - Plugs, Female, Class 2).
- MIL-C-39012/67 - Connectors, Coaxial, Radio Frequency, Series SMB (Cabled - Plug, Female, Class 2).
- MIL-C-39012/68 - Connectors, Coaxial, Radio Frequency, Series SMB (Cabled - Plug, male, Class 2).
- MIL-C-39012/69 - Connectors, Coaxial, Radio Frequency, Series SMB (Cabled - Plug, Female, Right Angle, Class 2).
- MIL-C-39012/70 - Connectors, Coaxial, Radio Frequency, Series SMB (Cabled-Receptacle, Male, Jam-nut Mounted, Rear Mounted, Class 2).
- MIL-C-39012/71 - Connectors, Coaxial, Radio Frequency, Series SMB (Uncabled-Receptacle, Male, Jam-nut Mounted, Class 2).
- MIL-C-39012/72 - Connectors, Coaxial, Radio Frequency, Series SMB (Uncabled-Receptacle, Male Jam-nut Mounted, Hermetic Seal, Class 2).
- MIL-C-39012/73 - Connectors, Coaxial, Radio Frequency, Series SMC (Cabled-Plug, Female, Class 2).
- MIL-C-39012/74 - Connectors, Coaxial, Radio Frequency, Series SMC (Cabled-Plug, male, Class 2).
- MIL-C-39012/75 - Connectors, Coaxial, Radio Frequency, Series SMC (Cabled-Plug, Female, Right Angle, Class 2).
- MIL-C-39012/76 - Connectors, Coaxial, Radio Frequency, Series SMC (Cabled-Receptacle, Male Jamnut Mounted, Rear Mounted, Class 2).
- MIL-C-39012/77 - Connectors, Coaxial, Radio Frequency, Series SMC (Uncabled-Receptacle, Male Jamnut Mounted, Class 2).
- MIL-C-39012/78 - Connectors, Coaxial, Radio Frequency, Series SMC (Uncabled-Receptacle, Male Jamnut Mounted, Hermetic Seal, Class 2).
- MIL-C-39012/79 - Connectors, Coaxial, Radio Frequency, Series SMA (Cabled-Plug, Pin, Class 2, Semirigid Cable).
- MIL-C-39012/80 - Connectors, Coaxial, Radio Frequency, Series SMA (Cabled-Plug, Pin, Right Angle, Class 2, Semirigid Cable).
- MIL-C-39012/81 - Connectors, Coaxial, Radio Frequency, Series SMA (Cabled-Plug, Socket, Class 2, Semirigid Cable).
- MIL-C-39012/82 - Connectors, Coaxial, Radio Frequency, Series SMA (Cabled-Receptacle, Socket, Flange Mounted, Class 2, Semirigid Cable).
- MIL-C-39012/83 - Connectors, Coaxial, Radio Frequency, Series SMA (Cabled-Receptacle, Socket Jam Nut Mounted, Class 2, Semirigid Cable).
- MIL-C-39012/84 - Connectors, Coaxial, Radio Frequency, Series QSC (Cabled-Plugs, Pin Contact, Right Angle, Class 2).

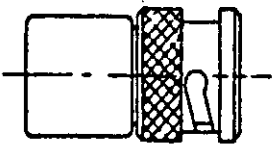
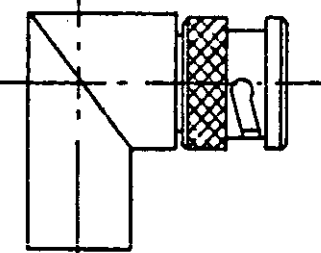
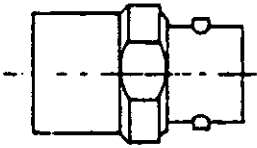
MIL-C-39012C  
SUPPLEMENT 1

MIL-C-39012/85	-	Connectors, Coaxial, Radio Frequency, Series QSC (Cabled-Receptacle, Socket Contact, Jam Nut Rear Mounted, Class 2).
MIL-C-39012/86	-	Connectors, Coaxial, Radio Frequency, Series QSC (Cabled-Receptacle, Socket Contact, Jam Nut, Front Mounted, Class 2).
MIL-C-39012/87	-	Connectors, Coaxial, Radio Frequency, Series QSC (Uncabled - Receptacle, Socket Contact, Hermetic Sealed, Jam Nut, Front and Rear Mounted, Class 2).
MIL-C-39012/88	-	Connectors, Coaxial, Radio Frequency, Series QNC (Cabled - Plugs, Pin Contact, Right Angle, Class 2).
MIL-C-39012/89	-	Connectors, Coaxial, Radio Frequency, Series QNC (Cabled - Receptacle, Socket Contact, Jam Nut Mounted, Class 2).
MIL-C-39012/90	-	Connectors, Coaxial, Radio Frequency, Series, QNC (Uncabled-Receptacle, Socket Contact, Jam Nut, Front and Rear Mounted, Class 2).
MIL-C-39012/91	-	Connectors, Coaxial, Radio Frequency, Series QNC (Uncabled -Receptacle, Socket Contact, Hermetic Sealed, Jam Nut, Front and Rear Mounted, Class 2).
MIL-C-39012/92	-	Connectors, Coaxial, Radio Frequency, (Series SMA (Cabled) - Plug, Class 2, without Contact, .141 Semirigid Cable).
MIL-C-39012/93	-	Connectors, Coaxial, Radio Frequency, Series SMA (Uncabled-Receptacle, Female, Printed Circuit, Class 2).
MIL-C-39012/94	-	Connectors, Coaxial, Radio Frequency, Series SMA (Uncabled-Receptacle, Female, Printed Circuit, Right Angle, Class 2).
MIL-C-39012/95	-	Connectors, Coaxial, Radio Frequency, Series SMd, (Uncabled-Receptacle, Male Printed Circuit, Class 2).
MIL-C-39012/96	-	Connectors, Coaxial, Radio Frequency, Series SMd (Uncabled-Receptacle, Male Printed Circuit, Right Angle, Class 2).
MIL-C-39012/100	-	Connectors, Coaxial, Radio Frequency, High Voltage (Series MHV (Cabled) - Plug, Pin Contact, Class 2).
MIL-C-39012/101	-	Connectors, Coaxial, Radio Frequency, (Series MHV (Cabled) - Plug, Socket Contact, Class 2).
MIL-C-39012/102	-	Connectors, Coaxial, Radio Frequency, (Series MHV (Cabled) - Receptacles, Socket Contact, Flange Mounted, Class 2).
MIL-C-39012/103	-	Connectors, Coaxial, Radio Frequency, (Series MHV (Uncabled)-Receptacles, Female, Flange Mounted, Class 2).
MIL-C-39012/104	-	Connectors, Coaxial, Radio Frequency, High Voltage (Series MHV) (Uncabled) - Receptacles, Socket Contact, Jam Nut Mounted, Class 2).
MIL-C-39012/105	-	Connectors, Coaxial, Radio Frequency, High Voltage, (Series SHV (Cabled) - Plug, Socket Contact, Class 2).
MIL-C-39012/106	-	Connectors, Coaxial, Radio Frequency, High Voltage, (Series SHV (Cabled) - Plug, Socket Contact, Right Angle, Class 2).
MIL-C-39012/107	-	Connectors, Coaxial, Radio Frequency, High Voltage, (Series SHV (Cabled) - Receptacles, Pin Contact, Class 2).
MIL-C-39012/108	-	Connectors, Coaxial, Radio Frequency, High Voltage, (Series SHV (Cabled) - Receptacles, Pin Contact, Flange Mounted, Class 2).
MIL-C-39012/109	-	Connectors, Coaxial, Radio Frequency, High Voltage, (Series SHV (Uncabled) - Receptacles, Pin Contact, Flange Mounted, Class 2).
MIL-C-39012/110	-	Connectors, Coaxial, Radio Frequency, High Voltage, (Series SHV (Uncabled) - Receptacles, Pin Contact, Jam Nut Mounted, Class 2).
MIL-C-39012/111	-	Connectors, Coaxial, Radio Frequency, High Voltage, (Series SHV (Cabled) - Receptacles, Pin Contact, Jam Nut Mounted, Class 2).
MIL-C-39012/112	-	Connectors, Coaxial, Radio Frequency, (Series TnC (Cabled) - Plug, Pin Contact, Class 2). For Semi-rigid cable.
MIL-C-39012/113	-	Connectors, Coaxial, Radio Frequency, (Series TnC (Cabled) - Plug, Socket Contact, Class 2). For Semi-rigid cable.

MIL-C-39012C  
SUPPLEMENT 1

- MIL-C-39012/114 - Connectors, Coaxial, Radio Frequency, (Series TNC (Cabled) - Plug, Pin Contact, Right Angle, Class 2). For Semi-rigid cable.
- MIL-C-39012/115 - Connectors, Coaxial, Radio Frequency, (Series TNC (Cabled) - Receptacle, Socket Contact, Jam Nut Mounted, Class 2). For Semi-Rigid Cable.
- MIL-C-39012/116 - Connectors, Coaxial, Radio Frequency, (Series TNC (Cabled) - Receptacle, Socket Contact, Flange Mounted, Class 2). For Semi-rigid Cable.
- MIL-C-39012/117(EC) - Connectors, Coaxial, Radio Frequency, Series N (Plugs and Jacks, Semi-Rigid Cable, Male, Class 2) (For use with MIL-C-28830/3).
- MIL-C-39012/118(EC) - Connectors, Coaxial, Radio Frequency, Series N (Plugs and Jacks, Semi-Rigid Cable, Female, Class 2) (For use with MIL-C-28830/3).
- MIL-C-39012/119(EC) - Connectors, Coaxial, Radio Frequency, Series N (Plugs and Jacks, Semi-Rigid Cable, Male, Class 2) (For use with MIL-C-28830/4).
- MIL-C-39012/120(EC) - Connectors, Coaxial, Radio Frequency, Series N (Plug and Jacks, Semi-Rigid Cable, Female, Class 2) (For use with MIL-C-28830/4).
- MIL-C-39012/121(EC) - Connectors, Coaxial, Radio Frequency, Series N (Plug and Jacks, Semi-Rigid Cable, Female, Class 2) (For use with MIL-C-28830/5).
- MIL-C-39012/122(EC) - Connectors, Coaxial, Radio Frequency, Series EIA Flange (Semi-rigid cable, Class 2) (For use with MIL-C-28830/3).
- MIL-C-39012/123(EC) - Connectors, Coaxial, Radio Frequency, Series EIA Flange (Semi-rigid cable, Class 2) (For use with MIL-C-28830/4).
- MIL-C-39012/124(EC) - Connectors, Coaxial, Radio Frequency, Series EIA Flange (Semi-rigid cable, Class 2) (For use with MIL-C-28830/5).

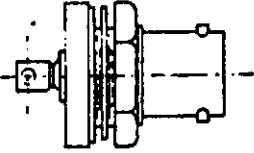
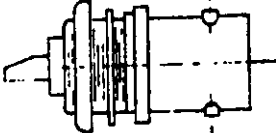
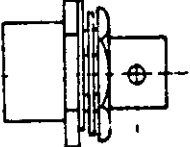
MIL-C-39012C  
SUPPLEMENT 1SECTION 2  
CONNECTOR SELECTION GUIDE  
Series BNC

Description	Body style	Specification sheet MIL-C-39012/	Applicable cable M17/
Cabled plug, Male, Pin, Straight, Class 2		16	28-RC58 29-RC59A 30-RC62A 90-RC71A 54-RC122 60-RC142 95-RC180A 97-RC210A 84-RC223 110-RC302A 111-RC303 113-RC316 119-RC174 128-RC400
Cabled plug, Male, Pin, Right Angle, Class 2		20	28-RC58 54-RC122 60-RC142 95-RC180A 84-RC223 110-RC302A 111-RC303 113-RC316 119-RC174 128-RC400
Cabled plug, Female, Socket, Straight, Class 2		17	28-RC58 29-RC59A 30-RC62A 90-RC71A 54-RC122 60-RC142 95-RC180A 97-RC210A 84-RC223 110-RC302A 111-RC303 113-RC316 119-RC174 128-RC400

See footnotes at end of section 2.

MIL-C-39012C  
SUPPLEMENT 1

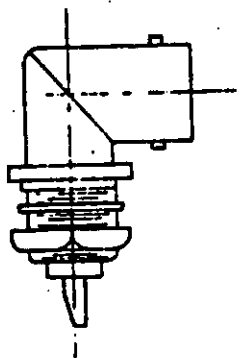
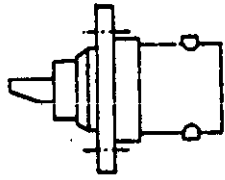
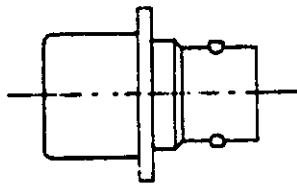
## Series BNC

Description	Body style	Specification sheet MIL-C-39012/	Applicable cable M17/
Uncabled Receptacle, Female, Socket, Hermetic, Jam Nut, Rear Mounted, Class 2	 <p style="text-align: center;">Hermetic</p>	24	Not applicable
Uncabled Receptacle, Female, Socket, Jam Nut, Front Mounted, Class 2		21	Not applicable
Cabled Receptacle, Female, Socket, Jam Nut, Rear Mounted, Class 2		19	28-RC58 29-RC59A 30-RC62B 90-RC71A 54-RC122 60-RC142 95-RC180A 97-RC210A 84-RC223 110-RC302A 111-RC303 113-RC316 119-RC174 128-RC400

See footnotes at end of section 2.

MIL-C-39012C  
SUPPLEMENT 1

## Series BNC

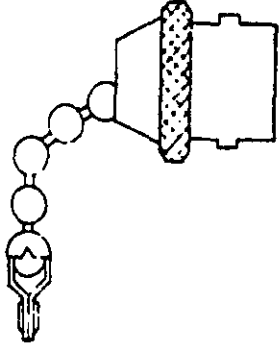
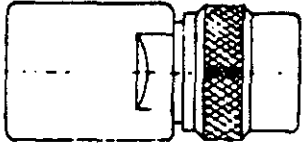
Description	Body style	Specification sheet MIL-C-39012/	Applicable cable M17/
Uncabled Receptacle, Female, Socket, Right Angle, Jam Nut, Front Mounted, Class 2		23	Not applicable
Uncabled Receptacle, Female, Socket, Flange Mounted, Class 2		22	Not applicable
Cabled Receptacle, Female, Socket, Flange Mounted, Class 2		18	28-RG58 29-RG59A 30-RG62A 90-RG71A 54-RG122 60-RG142 95-RG180A 97-RG210A 84-RG223 110-RG302A 111-RG303 113-RG316 119-RG174 128-RG400

See footnotes at end of section 2.



MIL-C-39012C  
SUPPLEMENT 1

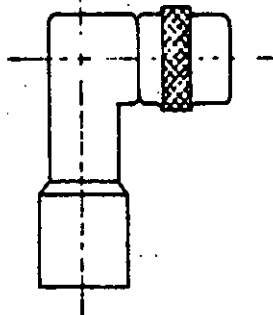
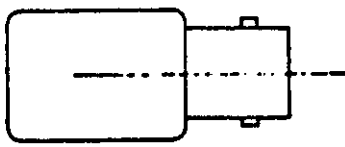
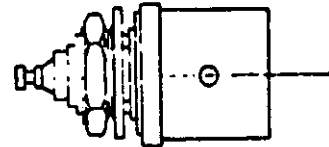
## All MIL-C-39012 Series

Description	Body style	Specification sheet MIL-C-39012/	Applicable cable M17/
Caps, Covers, Shorting Plugs, Hardware		25	Not applicable
Series C			
Description	Body style	Specification sheet MIL-C-39012/	Applicable cable M17/
Cabled plug, Male, Pin, Straight, Class 2		6	6-RG11A 92-RG115 65-RG165 72-RG211 73-RG212 74-RG213 75-RG214 74-RG215 78-RG217 79-RG218 RG-225/U 112-RG304
		15 1/	28-RG58 29-RG59A 30-RG62A 90-RG71A 84-RG223

See footnotes at end of section 2.

MIL-C-39012C  
SUPPLEMENT 1

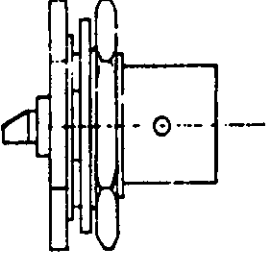
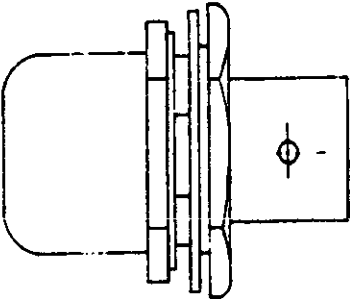
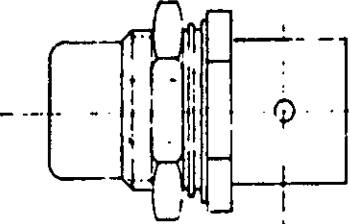
## Series C

Description	Body style	Specification sheet MIL-C-39012/	Applicable cable M17/
Cabled plug, Male, Pin, Right Angle, Class 2		10	92-RG115 65-RG165 74-RG213 75-RG214 74-RG215 RG-225/U
Cabled plug, Female, Socket, Straight, Class 2		7	6-RG114 92-RG115 65-RG165 73-RG212 74-RG213 75-RG214 74-RG215 RG-225/U 112-RG304
Uncabled Receptacle, Female, Socket, Pressurized, Jam Nut, Front Mounted, Class 2		13	Not applicable

See footnotes end of section 2.

MIL-C-39012C  
SUPPLEMENT 1

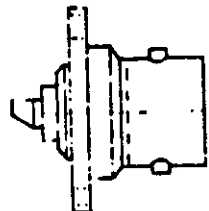
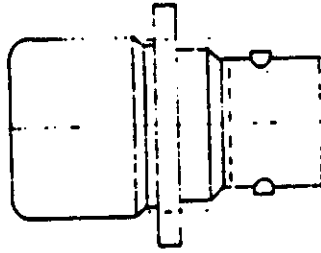
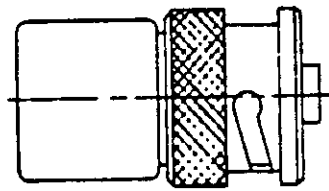
## Series C

Description	Body style	Specification sheet MIL-C-39012/	Applicable cable M17/
Uncabled Receptacle, Female, Socket, Hermetic, Jam Nut, Rear Mounted, Class 2	 <p data-bbox="708 706 802 727">Hermetic</p>	14	Not applicable
Cabled Receptacle, Female, Socket, Pressurized, Jam Nut, Rear Mounted, Class 2	 <p data-bbox="688 1224 818 1245">Pressurized</p>	11	6-RG11A 92-RG115 65-RG165 73-RG212 74-RG213 75-RG214 74-RG215 RG-225/U 112-RG304
Cabled Receptacle, Female, Socket, Jam Nut, Front Mounted, Class 2		9 1/	28-RG58 29-RG59A 30-RG62A 90-RG71A 84-RG223

See footnotes at end of section 2.

MIL-C-19012B  
SUPPLEMENT 1

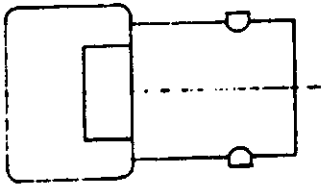
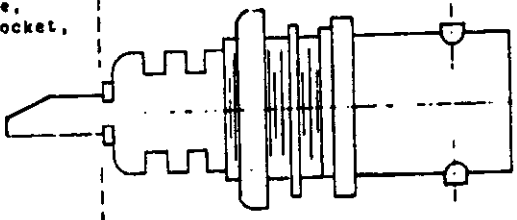
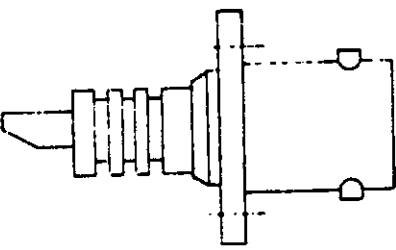
Series C

Description	Body style	Specification sheet MIL-C-39012/	Applicable cable M17/
Uncabled Receptacle, Female, Socket, Flange Mounted, Rear Mounted, Class 2		12	Not Applicable
Cabled Receptacle Female, Socket, Flange Mounted, Rear Mounted, Class 2		8	92-RG115 45-RG155 73-RG212 74-RG213 75-RG214 74-RG215 RG-225/U 112-RG304
Series MHV			
Description	Body style	Specification sheet MIL-C-39012/	Applicable cable M17/
Cabled plug, Male, Pin, Straight, Class 2		100 1/	29-RG594 30-RG624 90-RG714 97-RG210A

See footnotes at end of section 2.

MIL-C-39012<sup>C</sup>  
SUPPLEMENT 1

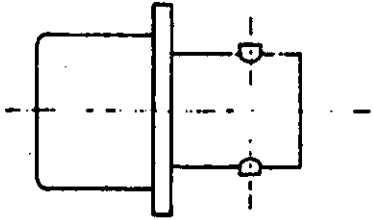

Series MHV

Description	Body style	Specification sheet MIL-C-39012/	Applicable cable M17/
Cabled plug, Female, Socket, Straight, Class 2		101 <u>1</u> /	29-RG59A 30-RG62A 90-RG71A 97-RG210A
Uncabled Receptacle, Female, Socket, Jam Nut, Class 2		104 <u>1</u> /	Not applicable
Uncabled Receptacle, Female, Socket, Flange Mounted, Class 2		103 <u>1</u> /	Not applicable

See footnotes at end of section 2.

MIL-C-39012<sup>C</sup>  
SUPPLEMENT 1

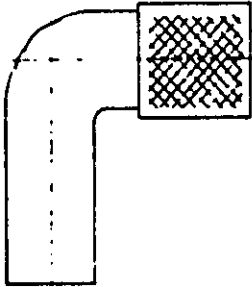

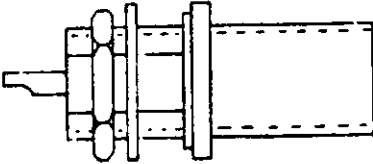
## Series MHV

Description	Body style	Specification sheet MIL-C-39012/	Applicable cable M17/
Cabled Receptacle, Female, Socket, Flange Mounted, Class 2		102 <u>1</u> /	29-RG59A 30-RG62A 90-RG71A 97-RG210A
Series N			
Description	Body style	Specification sheet MIL-C-39012/	Applicable cable M17/
Cabled plug, Male, Pin, Straight, Class 2		1	2-RG6A 4-RG11A 60-RG142 62-RG144C 64-RG155 73-RG212 74-RG213 75-RG214 76-RG215 77-RG215A 78-RG217 79-RG218 RG-222/U RG-225/U 127-RG393 128-RG400

See footnotes at end of section 2.

MIL-C-39012C  
SUPPLEMENT 1

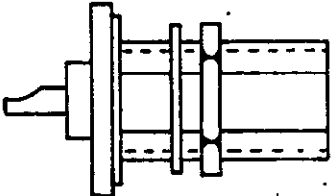
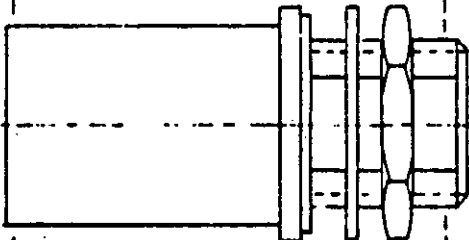
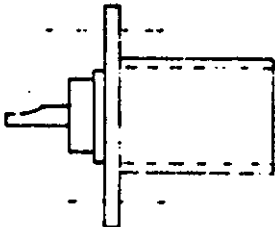
## Series N

Description	Body style	Specification sheet MIL-C-39012/	Applicable cable M17/
Cabled plug, Male, Pin, Right Angle, Class 2		5	2-RG6A 6-RG11A 60-RG142 62-RG144A 65-RG165 73-RG212 74-RG213 75-RG214 77-RG216A RG-222/U RG-225/U 127-RG393 128-RG400
Cabled plug, Female, Socket, Straight, Class 2		2	2-RG6A 6-RG11A 60-RG142 62-RG144A 65-RG165 73-RG212 74-RG213 75-RG214 74-RG215 77-RG216A 78-RG217 RG-222/U RG-225/U 127-RG393 128-RG400
Uncabled Receptacle, Female, Socket, Jam Nut, Front Mounted, Class 2		N	Not applicable

See footnotes at end of section 2.

MIL-C-39012C  
SUPPLEMENT 1

## Series N

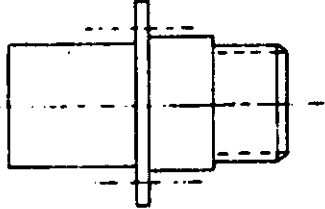
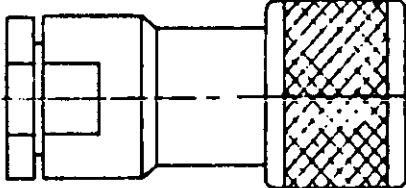
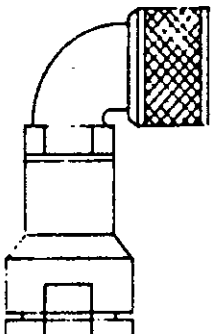
Description	Body style	Specification sheet MIL-C-39012/	Applicable cable M17/
Uncabled Receptacle, Female, Socket, Jam Nut, Rear Mounted, Class 2		4	Not applicable
Cabled Receptacle, Female, Socket, Jam Nut, Rear Mounted, Class 2		3	2-RG6A 6-RG11A 60-RG142 62-RG144A 65-RG165 73-RG212 74-RG213 75-RG214 77-RG216A 78-RG217 RG-222/U RG-225/U 127-RG393 128-RG400
Uncabled Receptacle, Female, Socket, Flange Mounted, Rear Mounted, Class 2		4	Not applicable

See footnotes at end of section 2.



MIL-C-39012C  
SUPPLEMENT 1

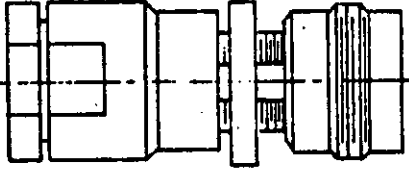
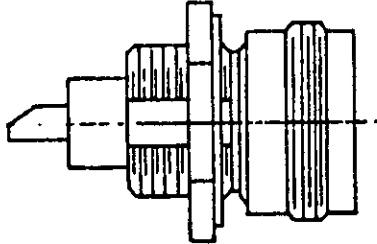
## Series N

Description	Body style	Specification sheet MIL-C-39012/	Applicable cable M17/
Cabled Receptacle, Female, Socket, Flange Mounted, Class 2		2	2-RG6A 6-RG11A 60-RG142 62-RG144A 65-RG165 73-RG212 74-RG213 75-RG214 74-RG215 77-RG216A RG-222/U RG-225/U 127-RG393 128-RG400
Series QL			
Description	Body style	Specification sheet MIL-C-39012/	Applicable cable M17/
Cabled plug, Male, Pin, Straight, Class 2		44	79-RG218 RG-220/U
Cabled plug, Male, Pin, Right Angle, Class 2		46	79-RG218 RG-220/U

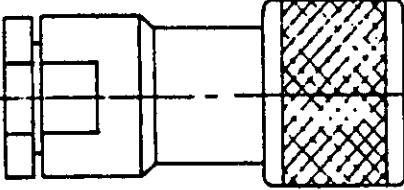
See footnotes at end of section 2.

MIL-C-39012C  
SUPPLEMENT 1

Series QL

Description	Body style	Specification sheet MIL-C-39012/	Applicable cable M17/
Cabled Receptacle, Female, Socket, Straight, Class 2		45	79-RG218 RG-220/U
Uncabled Receptacle, Female, Socket, Front Mounted, Jam Nut, Class 2		47	Not applicable

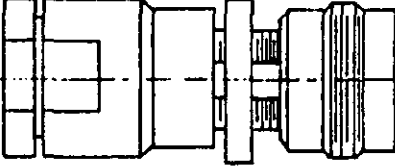
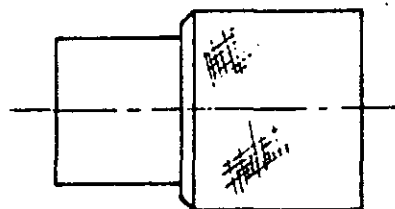
Series QM

Description	Body style	Specification sheet MIL-C-39012/	Applicable cable M17/
Cabled plug, Male, Pin, Straight, Class 2		48	78-RC217

See footnotes at end of section 2.

MIL-C-39012 C  
SUPPLEMENT 1

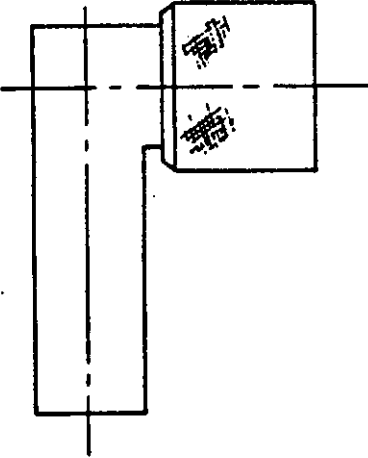
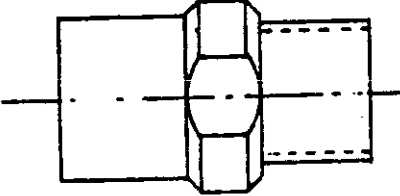
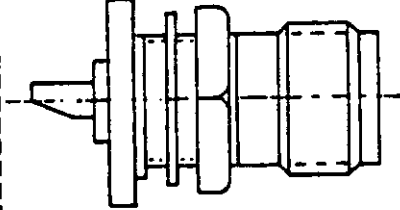
## Series QM

Description	Body style	Specification sheet MIL-C-39012/	Applicable cable M17/
Cabled Receptacle, Female, Socket, Straight, Class 2		49	78-RQ217
Series QMC			
Description	Body style	Specification sheet MIL-C-39012/	Applicable cable M17/
Cabled plug, Male, Pin, Straight, Class 2		65	28-RC58 29-RC59A 30-RC62A 90-RC71A 54-RC122 60-RC142 97-RC210A 84-RC223 110-RC302A 111-RC303

See footnotes at end of section 2.

MIL-C-39012C  
SUPPLEMENT 1

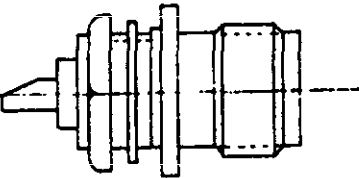
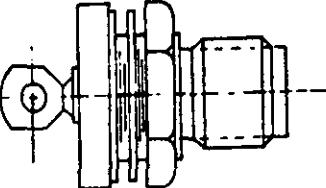
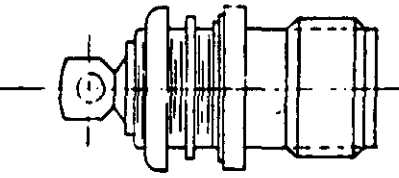
## Series QNC

Description	Body style	Specification sheet MIL-C-39012/	Applicable cable M17/
Cabled plug, Male, Pin, Right Angle, Class 2		88	28-RG58 29-RG59A 30-RG62A 90-RG71A 54-RG122 60-RG142 97-RG210A 84-RG223 110-RG302A 111-RG303
Cabled plug, Female, Socket, Straight, Class 2		66	28-RG58 29-RG59A 30-RG62A 90-RG71A 54-RG122 60-RG142 97-RG210A 84-RG223 110-RG302A 111-RG303
Uncabled Receptacle, Rear Mounted, Jam Nut, Class 2		90	Not applicable

See footnotes at end of section 2.

MIL-C-39012 C  
SUPPLEMENT 1

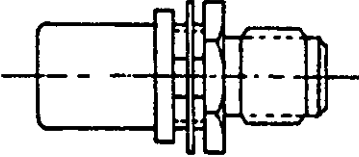
## Series QNC

Description	Body style	Specification sheet MIL-C-39012/	Applicable cable M17/
Uncabled Receptacle, Front Mounted, Jam Nut, Class 2		90	Not applicable
Uncabled Receptacle, Hermetic, Rear Mounted, Jam Nut, Class 2	 <p style="text-align: center;">Hermetic</p>	91	Not applicable
Uncabled Receptacle, Hermetic, Front Mounted, Jam Nut, Class 2	 <p style="text-align: center;">Hermetic</p>	91	Not applicable

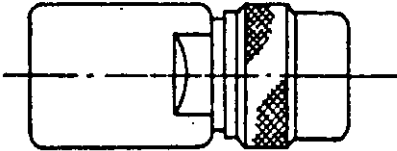
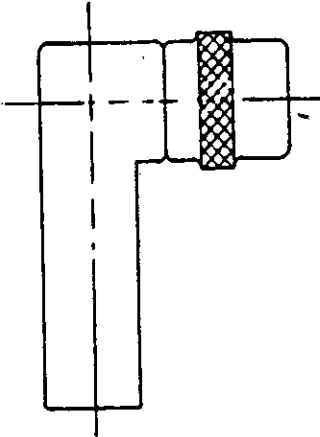
See footnotes at end of section 2

MIL-C-39012C  
SUPPLEMENT 1

## Series QMC

Description	Body style	Specification sheet MIL-C-39012/	Applicable cable M17/
Cabled Receptacle, Rear Mounted, Jam Nut, Class 2		89	28-RG58 29-RG59A 30-RG62A 90-RG71A 54-RG122 60-RG142 97-RG210A 84-RG223 110-RG302A 111-RG303

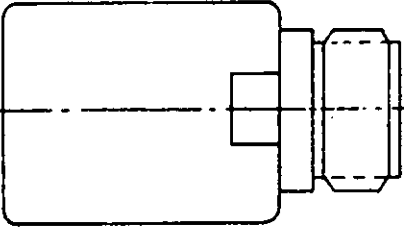
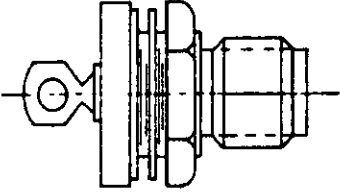
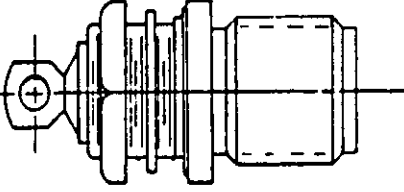
## Series QSC

Description	Body style	Specification sheet MIL-C-39012/	Applicable cable M17/
Cabled plug, Male, Pin, Straight, Class 2		63	2-RG6A 6-RG11A 65-RG165 72-RG211 73-RG212 74-RG213 75-RG214 77-RG216A 78-RG217 79-RG218 RG-225/U 112-RG304
Cabled plug, Male, Pin, Right Angle, Class 2		84	2-RG6A 6-RG11A 65-RG165 72-RG211 73-RG212 74-RG213 75-RG214 77-RG216A 78-RG217 79-RG218 RG-225/U 112-RG304

See footnotes at end of section 2

MIL-C-39012 C  
SUPPLEMENT 1

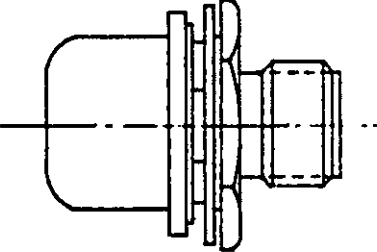
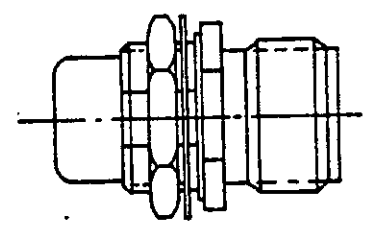
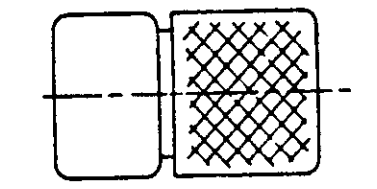
## Series QSC

Description	Body style	Specification sheet MIL-C-39012/	Applicable cable M17/
Cabled plug, Female, Socket, Straight, Class 2		64	2-RG6A 6-RG11A 65-RG165 73-RG212 74-RG213 75-RG214 77-RG216A RG-225/B 112-RG304
Uncabled Receptacle, Hermetic, Rear Mounted, Jam Nut, Class 2	 <p style="text-align: center;">Hermetic</p>	87	Not applicable
Uncabled Receptacle, Hermetic, Front Mounted, Jam Nut, Class 2	 <p style="text-align: center;">Hermetic</p>	87	Not applicable

See footnotes at end of section 2.

MIL-C-39012C  
SUPPLEMENT 1

## Series QSC

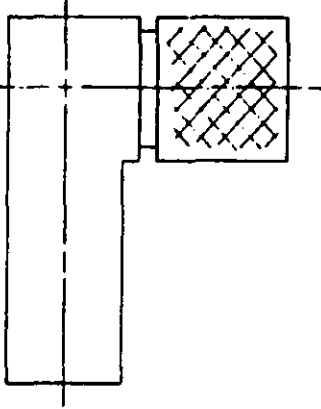
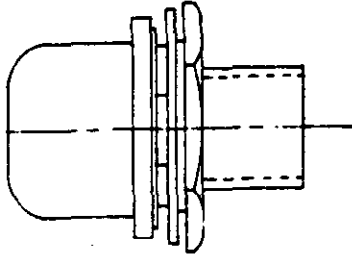
Description	Body style	Specification sheet MIL-C-39012/	Applicable cable M17/
Cabled Receptacle, Rear Mounted, Jam Nut, Class 2		85	2-RG6A 6-RG11A 65-RG165 72-RG211 73-RG212 74-RG213 75-RG214 77-RG216A 78-RG217 79-RG218 RG-225/U 112-RG304
Cabled Receptacle, Front Mounted, Jam Nut, Class 2		86	2-RG6A 6-RG11A 65-RG165 72-RG211 73-RG212 74-RG213 75-RG214 77-RG216A 78-RG217 79-RG218 RG-225/U 112-RG304
Series SC			
Description	Body style	Specification sheet MIL-C-39012/	Applicable cable M17/
Cabled plug, Male, Pin, Straight, Class 2		35	6-RG11A 92-RG115 60-RG142 62-RG144A 65-RG165 72-RG211 73-RG212 74-RG213 75-RG214 74-RG215 78-RG217 79-RG218 RG-225/U 112-RG304 127-RG393 128-RG400

See footnotes at end of section 2.



MIL-C-39012C  
SUPPLEMENT 1

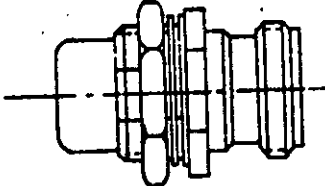
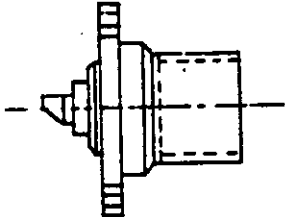
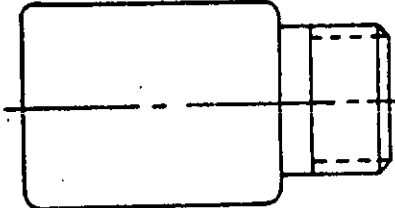
## Series SC

Description	Body style	Specification sheet MIL-C-39012/	Applicable cable M17/
Cabled plug, Male, Pin, Right Angle, Class 2		39	92-RG115 60-RG142 65-RG165 74-RG213 75-RG214 74-RG215 RG-225/U 127-RG393 128-RG400
Cabled Receptacle, Female, Socket, Rear Mounted, Jam Nut, Class 2		40	6-RG114 92-RG115 60-RG142 62-RG144A 65-RG165 73-RG212 74-RG213 75-RG214 74-RG215 77-RG216A 78-RG217 79-RG218 RG-225/U 112-RG304 127-RG393 128-RG400

See footnotes at end of section 2.

MIL-C-39012C  
SUPPLEMENT 1

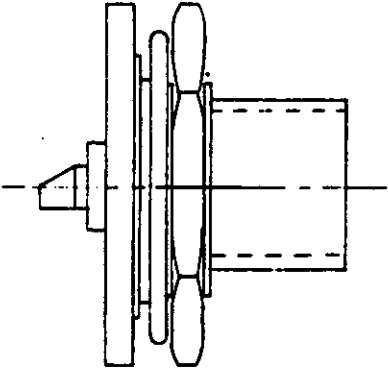
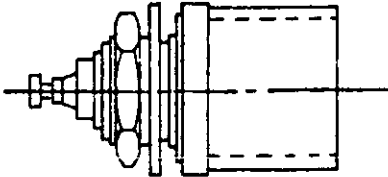
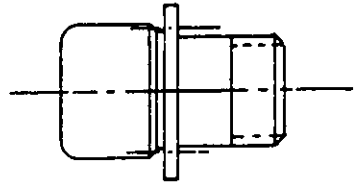
## Series SC

Description	Body style	Specification sheet MIL-C-39012/	Applicable cable M17/
Cabled Receptacle, Female, Socket, Front Mounted, Jam Nut, Class 2		37 1/	28-RG58 29-RG59A 30-RG62A 90-RG71A 84-RG223
Uncabled Receptacle, Female, Socket, Flange Mounted, Class 2		41	Not applicable
Cabled plug. Female, Socket, Straight, Class 2		36	6-RG114 92-RG115 60-RG142 62-RG144A 65-RG165 72-RG211 73-RG212 74-RG213 75-RG214 74-RG215 78-RG217 79-RG218 RG-225/U 112-RG304 127-RG393 128-RG400

See footnotes at end of section 2.

MIL-C-39012 C  
SUPPLEMENT 1

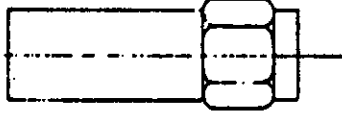
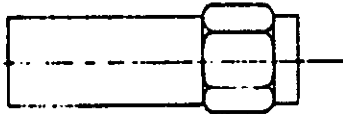
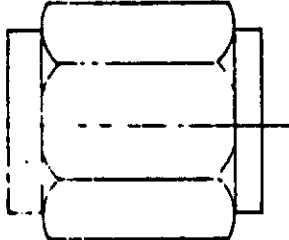
## Series 3C

Description	Body style	Specification sheet MIL-C-39012/	Applicable cable M17/
Uncabled Receptacle, Female, Socket, Rear Mounted, Jam Nut, Class 2		43	Not applicable
Uncabled Receptacle, Female, Socket, Front Mounted, Jam Nut, Class 2		42	Not applicable
Cabled Receptacle, Female, Socket, Flange Mounted, Rear Mounted, Class 2		38	92-RG115 60-RG142 65-RG165 73-RG212 74-RG213 75-RG214 74-RG215 RG-225/U 112-RG304 127-RG393 128-RG400

See footnotes at end of section 2.

MIL-C-39012C  
SUPPLEMENT 1

## Series SMA


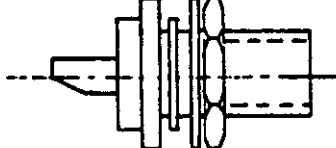
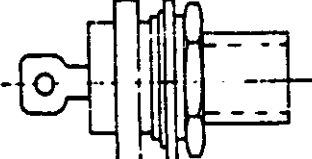
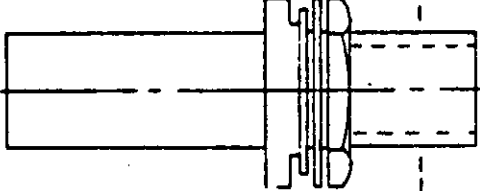
Description	Body style	Specification sheet MIL-C-39012/	Applicable cable M17/
Cabled plug, Male, Pin, Straight, Class 2		55	28-RG58 54-RG122 60-RG142 119-RG174 93-RG178 84-RG223 111-RG303 113-RG316 128-RG400
Cabled plug, Male, Pin, Straight, Semirigid Cable, Class 2	 <p data-bbox="480 1035 703 1056">For Semirigid Cable</p>	79	130-RG402 133-RG405
Cabled plug, Male, Pin, Straight, Semirigid Cable, Class 2	 <p data-bbox="491 1377 715 1398">For Semirigid Cable</p>	92	130-RG402

See footnotes at end of section 2.



MIL-C-39012C  
SUPPLEMENT 1

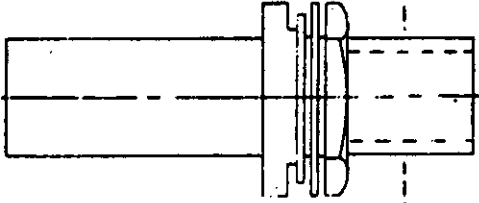
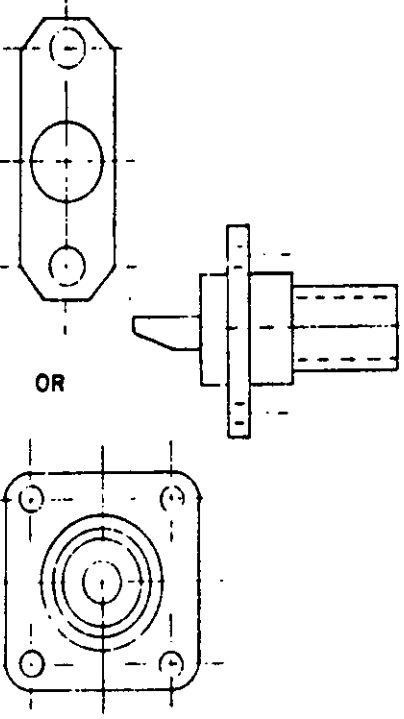
Series SMA

Description	Body style	Specification sheet MIL-C-39012/	Applicable cable M17/
Cabled plug, Female, Socket, Straight, Semirigid Cable, Class 2	 <p style="text-align: center;">For Semirigid Cable</p>	81	130-RG202 133-RG405
Uncabled Receptacle, Female, Socket, Jam Nut, Class 2		61	Not applicable
Uncabled Receptacle, Female, Socket, Hermetic, Jam Nut, Class 2	 <p style="text-align: center;">Hermetic</p>	62	Not applicable
Cabled Receptacle, Female, Socket, Jam Nut, Class 2		59	28-RG58 54-RG122 60-RG142 119-RG174 93-RG178 84-RG223 111-RG303 113-RG316 126-RG400

See footnotes at end of section 2.

MIL-C-39012 C  
SUPPLEMENT 1

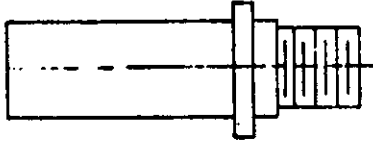
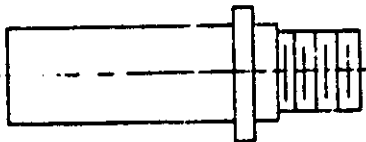
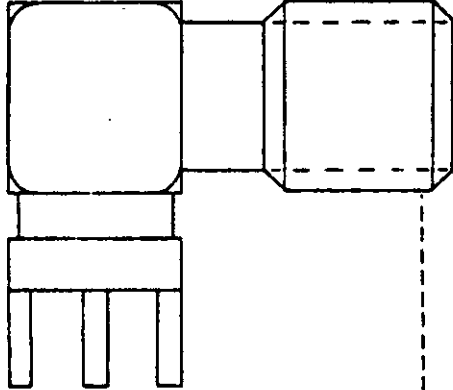
Series SMA

Description	Body style	Specification sheet MIL-C-39012/	Applicable cable M17/
<p>Cabled Receptacle, Female, Socket, Semirigid Cable, Jam Nut, Class 2</p>	 <p>For Semirigid Cable</p>	<p>63</p>	<p>130-RG402 133-RG405</p>
<p>Uncabled Receptacle, Female, Socket, Flange Mounted, Class 2</p>	 <p>OR</p>	<p>60</p>	<p>Not applicable</p>

See footnotes at end of section 2.

MIL-C-39012C  
SUPPLEMENT 1

Series SMA

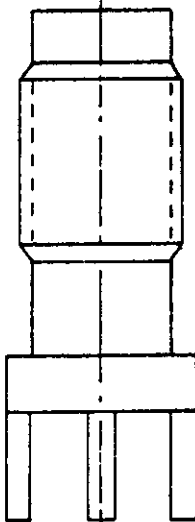
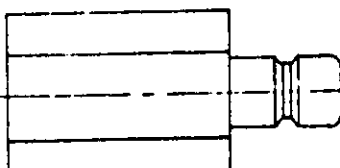
Description	Body style	Specification sheet MIL-C-39012/	Applicable cable M17/
<p>Cabled Receptacle, Female, Socket, Flange Mounted, Class 2</p>		<p>58</p>	<p>28-RG58 54-RG122 60-RG142 119-RG174 93-RG178 84-RG223 111-RG303 113-RG316 128-RG400</p>
<p>Cabled Receptacle, Female, Socket, Semirigid Cable, Flange Mounted, Class 2</p>	 <p style="text-align: center;">For Semirigid Cable</p>	<p>82</p>	<p>130-RG402 133-RG405</p>
<p>Uncabled Receptacle, Female, Socket, Printed Circuit, Right Angle, Class 2</p>	 <p style="text-align: center;">For Printed Circuit Boards</p>	<p>94</p>	<p>Not applicable</p>

See footnotes at end of section 2.



MIL-C-39012 C  
SUPPLEMENT 1

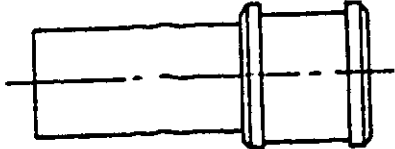
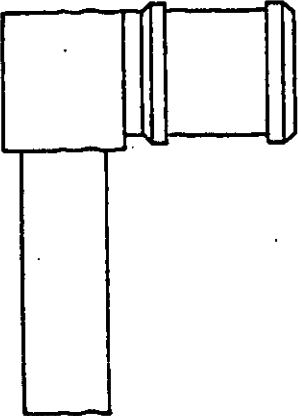
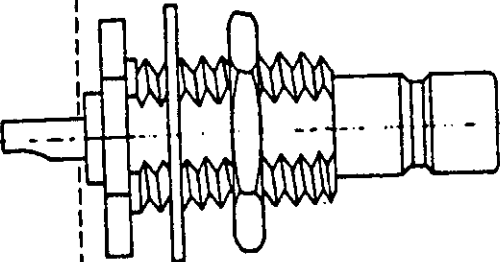
Series SMA

Description	Body style	Specification sheet MIL-C-39012/	Applicable cable M17/
Uncabled Receptacle, Female, Socket, Printed Circuit, Straight, Class 2	 <p data-bbox="609 922 917 942">For Printed Circuit Boards</p>	93	Not applicable
Series SMB			
Description	Body style	Specification sheet MIL-C-39012/	Applicable cable M17/
Cabled plug, Male, Pin, Straight, Class 2		68	119-RG174 93-RG178 94-RG179a 113-RG316

See footnotes at end of section 2.

MIL-C-39012C  
SUPPLEMENT 1

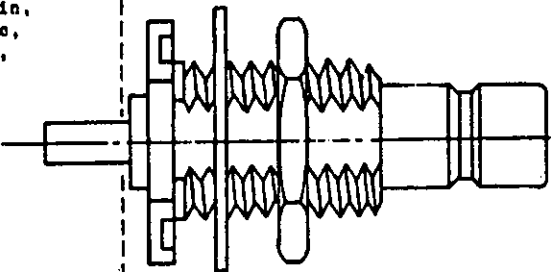
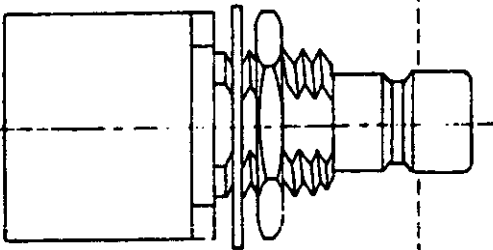
Series SMB

Description	Body style	Specification sheet MIL-C-39012/	Applicable cable M17/
Cabled plug, Female, Socket, Straight, Class 2		67	119-RG174 93-RG178 94-RG179A 113-RG316
Cabled plug, Female, Socket, Right angle, Class 2		69	119-RG174 93-RG178 94-RG179A 113-RG316
Uncabled Receptacle, Male, Pin, Jam Nut, Class 2		71	Not applicable solder termination

See footnotes at end of section 2.

MIL-C-39012C  
SUPPLEMENT 1

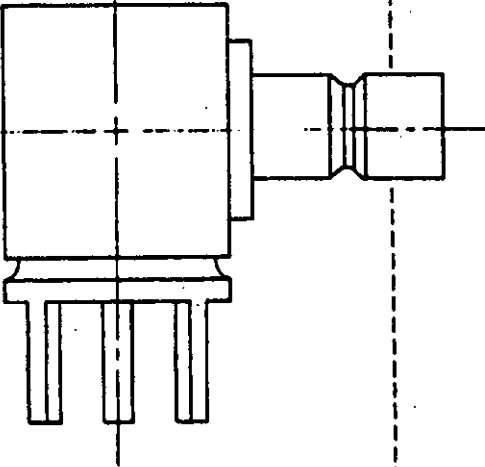
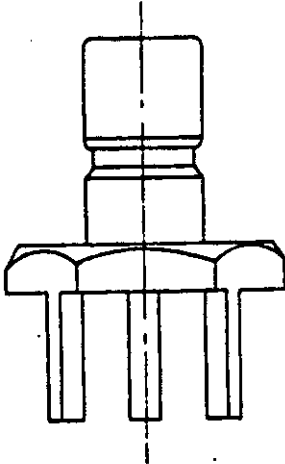
Series SHB

Description	Body style	Specification sheet MIL-C-39012/	Applicable cable M17/
<p>Uncabled Receptacle, Male, Pin, Hermetic, Jam Nut, Class 2</p>	 <p style="text-align: center;">Hermetic</p>	<p>72</p>	<p>Not applicable solder termination</p>
<p>Cabled Receptacle, Male, Pin, Jam Nut, Class 2</p>		<p>70</p>	<p>119-RG174 93-RG178 94-RG179A 113-RG316</p>

See footnotes at end of section 2.

MIL-C-39012C  
SUPPLEMENT 1

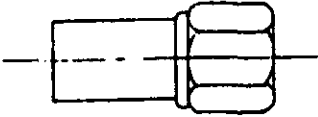
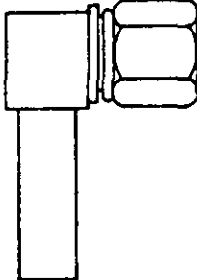
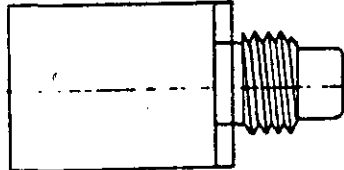
Series 5MB

Description	Body style	Specification sheet MIL-C-39012/	Applicable cable M17/
<p>Uncabled Receptacle, Male, Pin, Printed Circuit, Right Angle, Class 2</p>	 <p>For Printed Circuit Boards</p>	96	Not applicable
<p>Uncabled Receptacle, Male, Pin, Printed Circuit, Straight, Class 2</p>	 <p>For Printed Circuit Boards</p>	95	Not applicable

See footnotes at end of section 2

MIL-C-39012C  
SUPPLEMENT 1

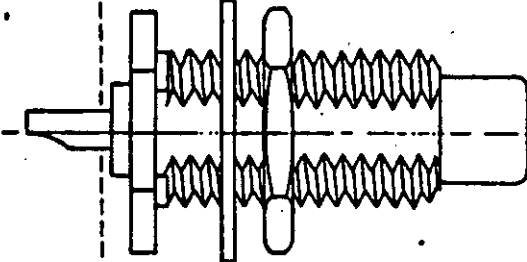
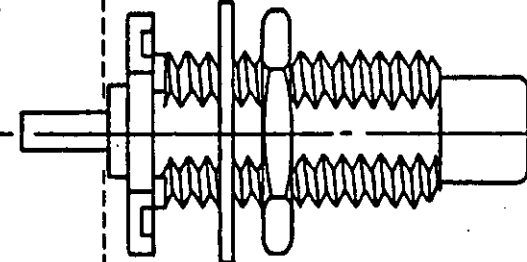
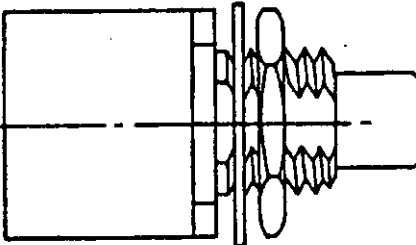
Series SMC

Description	Body style	Specification sheet MIL-C-39012/	Applicable cable M17/
Cabled plug, Female, Socket, Straight, Class 2		73	119-RG174 93-RG178 94-RG179A 113-RG316
Cabled plug, Female, Socket, Right Angle, Class 2		75	119-RG174 93-RG178 94-RG179A 113-RG316
Cabled plug, Male, Pin, Straight, Class 2		74	119-RG174 93-RG178 94-RG179A 113-RG316

See footnotes at end of section 2.

MIL-C-39012C  
SUPPLEMENT 1

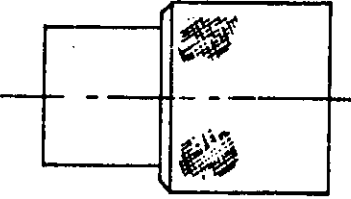
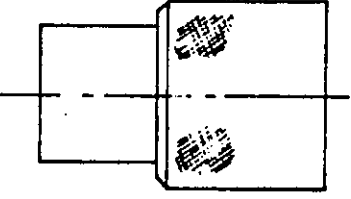
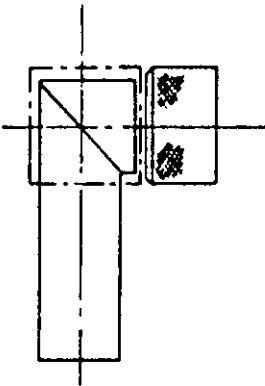
Series SMC

Description	Body style	Specification sheet MIL-C-39012/	Applicable cable M17/
Uncabled Receptacle, Male, Pin, Jam Nut, Class 2		77	Not applicable
Uncabled Receptacle, Male, Pin, Hermetic, Jam Nut, Class 2	 <p style="text-align: center;">Hermetic</p>	78	Not applicable
Cabled Receptacle, Male, Pin, Jam Nut, Class 2		76	119-RG174 93-RG178 94-RG179A 113-RG316

See footnotes at end of section 2.

MIL-C-39012C  
SUPPLEMENT 1

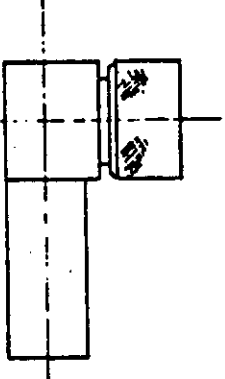
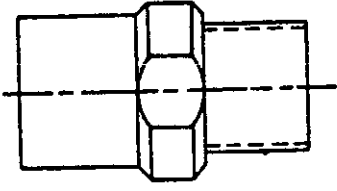
Series TNC

Description	Body style	Specification sheet MIL-C-39012/	Applicable cable M177
Cabled plug, Male, Pin, Straight, Class 2		26	28-RG58 29-RG59A 30-RG62A 90-RG71A 54-RG122 60-RG142 119-RG174 95-RG180A 97-RG210A 84-RG223 110-RG302A 111-RG303 113-RG316 128-RG400
Cabled plug, Male, Pin, Semirigid Cable, Straight, Class 2	 <p data-bbox="643 1052 865 1079" style="text-align: center;">For Semirigid Cable</p>	112	129-RG401 130-RG402
Cabled plug, Male, Pin, Right Angle, Class 2		30	28-RG58 29-RG59A 30-RG62A 90-RG71A 54-RG122 60-RG142 119-RG174 95-RG180A 97-RG210A 84-RG223 110-RG302A 111-RG303 113-RG316 128-RG400

See footnotes at end of section 2.

MIL-C-39012C  
SUPPLEMENT 1

Series TNC

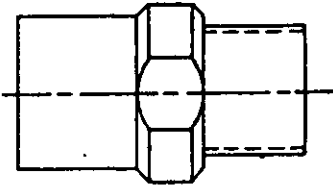
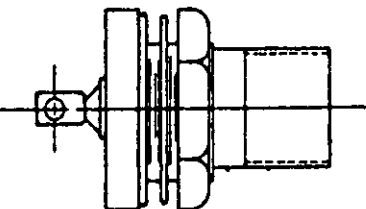
Description	Body style	Specification sheet MIL-C-39012/	Applicable cable M17/
Cabled plug, Male, Pin, Semirigid Cable, Right Angle, Class 2	 <p data-bbox="494 840 718 871">For Semirigid Cable</p>	114	129-RG401 130-RG402
Cabled plug, Female, Socket, Straight, Class 2		27	28-RG58 29-RG59A 30-RG62A 90-RG71A 54-RG122 60-RG142 119-RG174 95-RG180A 97-RG210A 84-RG223 110-RG302A 111-RG303 113-RG316 128-RG400

See footnotes at end of section 2.



MIL-C-39012C  
SUPPLEMENT 1

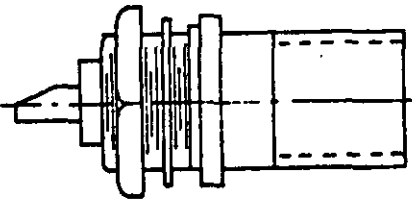
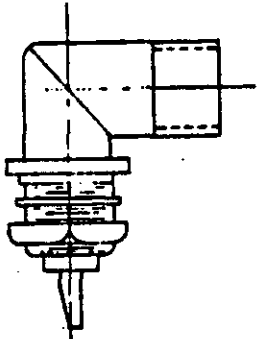
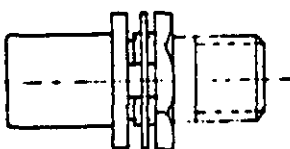
Series TNC

Description	Body style	Specification sheet MIL-C-39012/	Applicable cable M17/
<p>Cabled plug, Female, Socket, Semirigid Cable, Straight, Class 2</p>	 <p>For Semirigid Cable</p>	<p>113</p>	<p>129-RQ401 130-RQ402</p>
<p>Uncabled Receptacle, Female, Socket, Hermetic, Jam Nut, Rear Mounted, Class 2</p>	 <p>Hermetic</p>	<p>34</p>	<p>Not applicable</p>

See footnotes at end of section 2.

MIL-C-39012C  
SUPPLEMENT 1

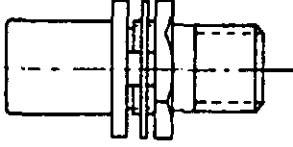
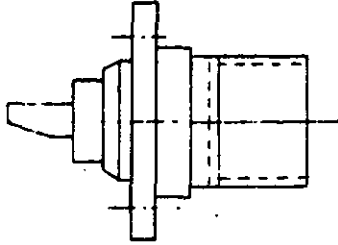
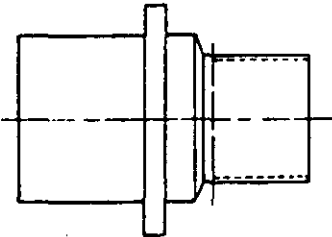
Series TNC

Description	Body style	Specification sheet MIL-C-39012/	Applicable cable M177
<p>Uncabled Receptacle, Female, Socket, Jam Nut, Front Mounted, Class 2</p>		<p>31</p>	<p>Not applicable</p>
<p>Uncabled Receptacle, Female, Socket, Right Angle, Jam Nut, Front Mounted, Class 2</p>		<p>33</p>	<p>Not applicable</p>
<p>Cabled Receptacle, Female, Socket, Jam Nut, Rear Mounted, Class 2</p>		<p>28</p>	<p>28-RC50 29-RC59A 30-RC62A 90-RC71A 54-RC122 60-RC142 119-RC174 95-RC180A 97-RC210A 84-RC223 110-RC302A 111-RC303 113-RC316 128-RC400</p>

See footnotes at end of section 2.

MIL-C-39012 C  
SUPPLEMENT 1

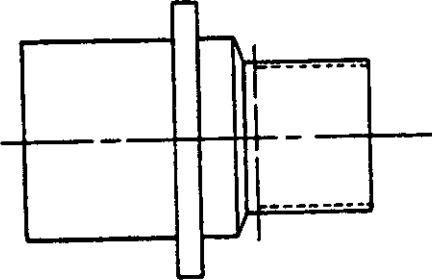
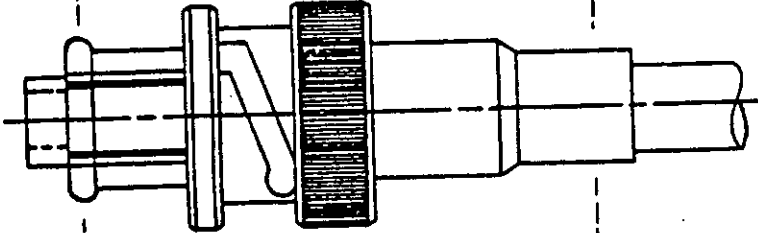
Series TNC

Description	Body style	Specification sheet MIL-C-39012/	Applicable cable M17/
Cabled Receptacle, Female, Socket, Semirigid Cable, Jam Nut, Rear Mounted, Class 2	 <p style="text-align: center;">For Semirigid Cable</p>	115	129-RG401 130-RG402
Uncabled Receptacle, Female, Socket, Flange Mounted, Class 2		32	Not applicable
Cabled Receptacle, Female, Socket, Flange Mounted, Class 2		29	28-RG58 29-RG59A 30-RG62A 90-RG71A 54-RG122 60-RG142 119-RG174 95-RG180A 97-RG210A 84-RG223 110-RG302 111-RG303 113-RG316 128-RG400

See footnotes at end of section 2.

MIL-C-39012C  
SUPPLEMENT 1

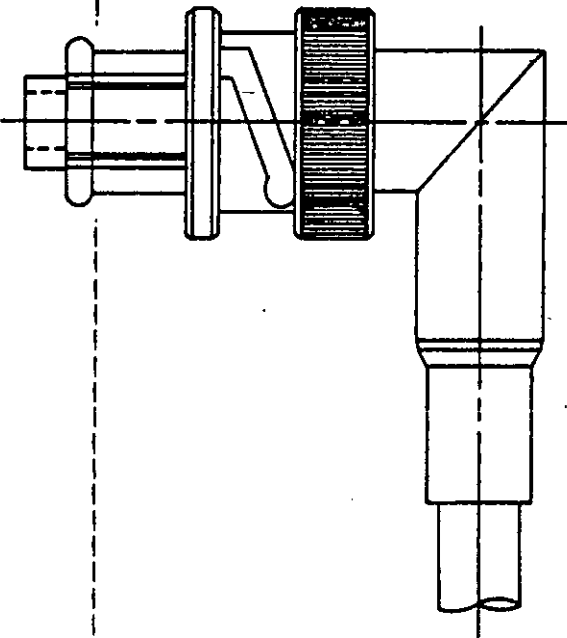
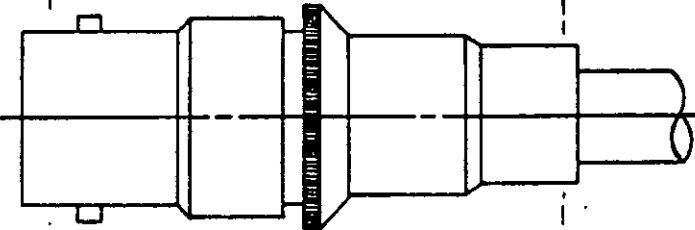
Series TNC

Description	Body style	Specification sheet MIL-C-39012/	Applicable cable M17/
<p>Cabled Receptacle, Female, Socket, Semirigid Cable, Flange Mounted, Class 2</p>		<p>116</p>	<p>129-RG401 130-RG402</p>
<p>Series SHV</p>			
<p>Cabled plug, female socket, straight, class 2</p>		<p>105</p>	<p>29-RG59A 30-RG62A 90-RG71A 97-RG210A</p>

See footnotes at end of section 2.

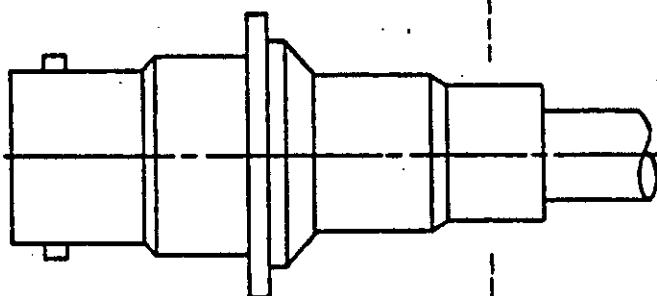
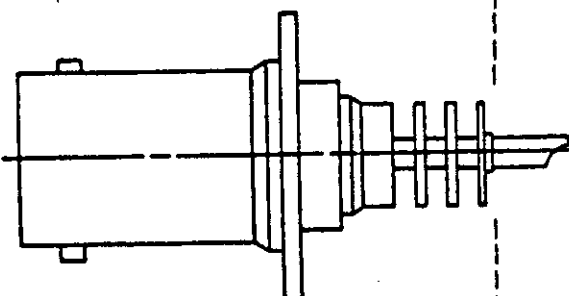
MIL-C-39012C  
SUPPLEMENT 1

Series SHV

Description	Body style	Specification sheet MIL-C-39012/	Applicable cable M17/
<p>Cabled plug, female socket right angle, class 2</p> 		<p>106</p>	<p>29-RG59A 30-RG62A 90-RG71A 97-RG210A</p>
<p>Cabled receptacles, male pin, straight, class 2</p> 		<p>107</p>	<p>29-RG59A 30-RG62A 90-RG71A 97-RG210A</p>

MIL-C-39012C  
SUPPLEMENT 1

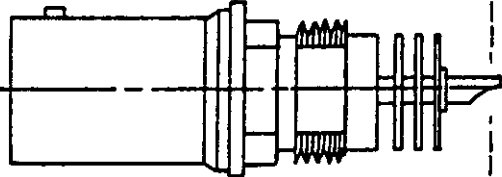
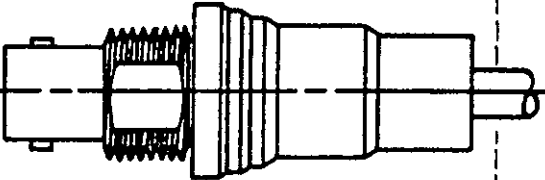
Series SHV

Description	Body style	Specification sheet MIL-C-39012/	Applicable cable M17/
<p>Cabled receptacle flange mounted pin, straight class 2</p>		<p>108</p>	<p>29-RG59A 30-RG62A 90-RG71A 97-RG210A</p>
<p>Uncabled receptacle, flange mounted, male pin, straight, class 2</p>		<p>109</p>	<p>29-RG59A 30-RG62A 90-RG71A 97-RG210A</p>

See footnotes at end of section 2.

MIL-C-39012C  
SUPPLEMENT 1

Series SHV

Description	Body style	Specification sheet MIL-C-39012/	Applicable cable M17/
<p>Uncabled receptacle, jam nut front mounted, male pin, straight, class 2</p>		<p>110</p>	<p>29-RG59Δ 30-RG62Δ 90-RG71Δ 97-RG210Δ</p>
<p>Cabled receptacles, jam nut rear mounted, male pin; straight, class 2</p>		<p>111</p>	<p>29-RG59Δ 30-RG62Δ 90-RG71Δ 97-RG210Δ</p>

1/ Specification sheets which are inactive for new design.  
Δ Denotes non-50 ohm coaxial cables.

Preparing activity:  
Army - CR

(Project 5935-3183-32)