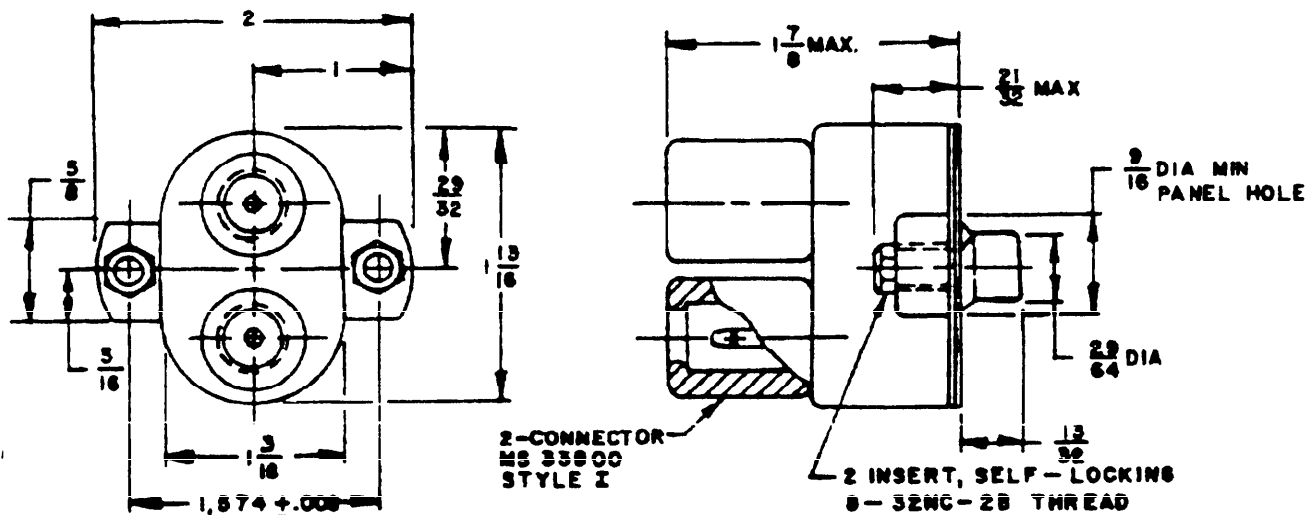


MIL-C-13516/2A
 23 August 1968
 SUPERSEDING
 MIL-C-13516/2
 18 January 1966

MILITARY SPECIFICATION SHEET
 CIRCUIT BREAKERS; 28 VOLT DC
 MANUAL, WATERPROOF, 15 TO 30 AMP

The complete requirements for procuring the circuit breakers described herein shall consist of this document and the issue in effect of Specification MIL-C-13516.



NOTE: Unless otherwise specified dimensions are in inches: Tolerances $\pm 1/32$ on fractions; $\pm .010$ on decimals.

CLASSIFICATION: Type I (Manual reset), Grade A (Waterproof), Class 1 (0 to 30 ampere rating).

Part No.	Former Part No.	Amperage Rating
M13516/2-1	MS 39063-1	15
M13516/2-2	MS 39063-2	20
M13516/2-3	MS 39063-3	25
M13516/2-4	MS 39063-4	30

FSC-5925

MIL-C-13516/2A

Custodian:

Army - AT
Navy - EC
AF - 85

Preparing activity:

Army - AT

Project No. 5925-0048-2

Review activities:

Army - FT, MI

User activities:

Army - AV, ME