

INCH-POUND

MIL-C-13486/8A

6 June 1989

SUPERSEDING

13486/8

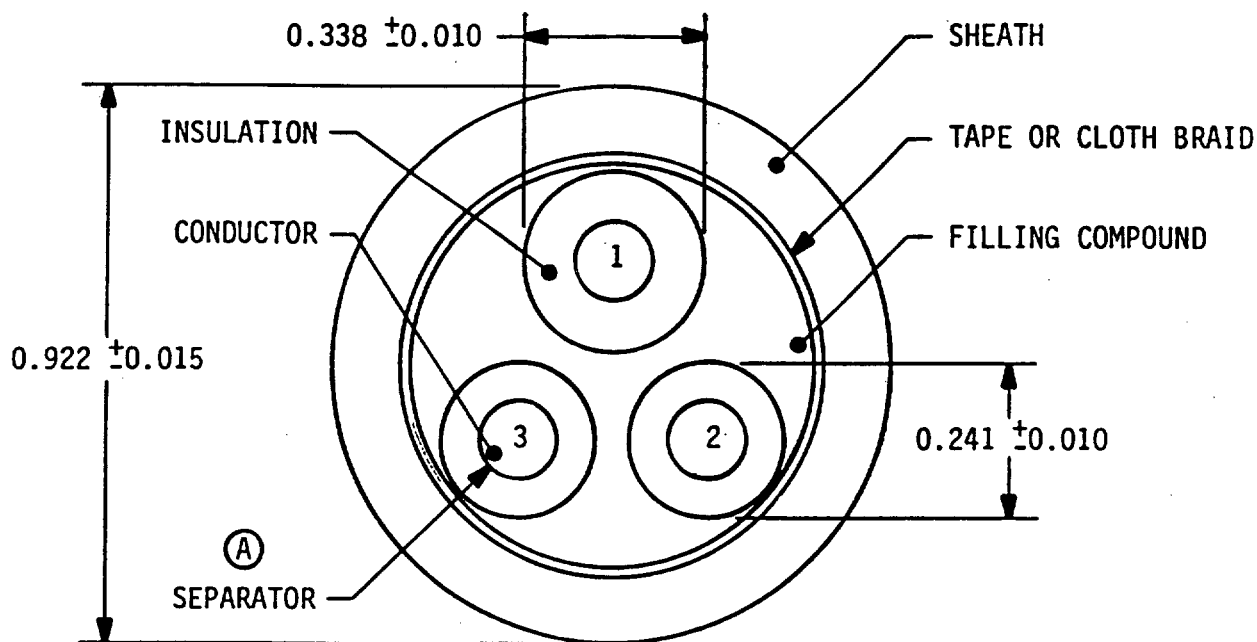
2 June 1964

MILITARY SPECIFICATION SHEET

CABLE, SPECIAL PURPOSE, ELECTRICAL: LOW-TENSION,
HEAVY-DUTY, MULTIPLE CONDUCTORS, UNSHIELDED

This specification is approved for use by all Departments and Agencies of the Department of Defense.

The requirements for acquiring the product described herein shall consist of this specification sheet and the issue of the following specification listed in that issue of the Department of Defense Index of Specifications and Standards (DODISS) specified in the solicitation: MIL-C-13486



NOTE: All dimensions are in inches.

FIGURE 1. Dimensions and configuration.

(A) denotes changes

MIL-C-13486/8A

REQUIREMENTS:

Dimensions and configuration: See figure 1 of this specification sheet.
 Conductor size: Conductor 1 shall be size 6 and conductors 2 and 3 shall be size 8 (see table I of MIL-C-13486).
 Insulated conductors, identification: See table I of this specification sheet.

TABLE I. Color code chart.

Conductor number	Base	Stripe
1	Black	None
2	White	None
3	White	Black

Part or Identifying Number (PIN): M13486/8-1
 Former part number: 7056682

Custodians:

Army - AT
 Navy - SH
 Air Force - 85

Preparing activity:
 Army - AT

(Project 6145-1075-08)

Review activities:

Air Force - 99
 DLA - IS

User activities:

Air Force - 71, 79, 80, 84