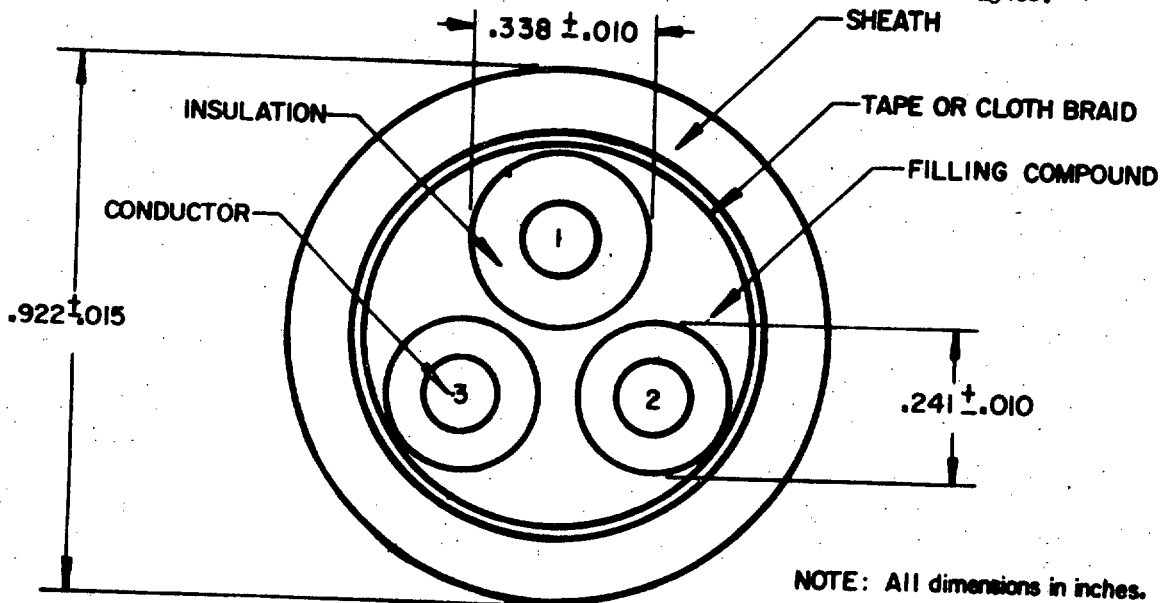


MIL-C-13486/8
2 June 1964

MILITARY SPECIFICATION SHEET

CABLE, SPECIAL PURPOSE, ELECTRICAL: LOW TENSION,
HEAVY DUTY MULTIPLE CONDUCTORS UNSHIELDED

The complete requirements for procuring the cable described herein shall consist of this document and the issue in effect of Specification MIL-C-13486.



NOTE: All dimensions in inches.

REQUIREMENTS:

Dimensions and configuration: See above figure.
 Conductor size: Conductor 1 is size 6 and conductors 2 and 3 are size 8 (see Table I of Specification MIL-C-13486).
 Insulated conductors identification: See color code chart below.

FSC-6145

13486/8

Color code chart

Conductor No.	Base	Stripe or Tracer
1	Black	None
2	White	None
3	White	Black

Part Number: 13486/8-1
Former Part Number: 7056682

Custodian:
Army - AT
Navy - SH

Preparing activity:
Army - AT

Project No. 6145-0292

Reviewer interest:
Navy - SH