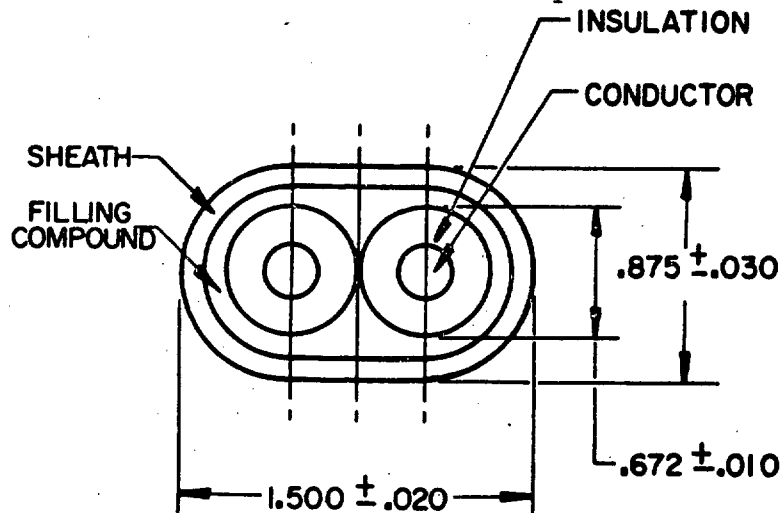


MIL-C-13486/4
2 June 1964

MILITARY SPECIFICATION SHEET

CABLE, SPECIAL PURPOSE, ELECTRICAL: LOW TENSION,
 HEAVY DUTY MULTIPLE CONDUCTORS UNSHIELDED

The complete requirements for procuring the cable described herein shall consist of this document and the issue in effect of Specification MIL-C-13486.



NOTE: All dimensions in inches

REQUIREMENTS:

Dimensions and configuration: See above figure.

Conductor size: Both conductors are size 1 (see Table I of Specification MIL-C-13486).

Insulated conductors identification: One insulated conductor shall be solid black in color; the other insulated conductor shall be solid white.

Filler material: The filler material shall be such that the cable retains its shape in use.

Sheath, thickness and configuration: Sheath thickness shall be no less than .040 inches at any point along the cable periphery.

Part number: M13486/4-1.

Former part number: 7728530.

Custodian:

Army - AT
 Navy - SH

Preparing activity:

Army - AT

Project No. 6145-0288

Reviewer interest:

Navy - SH

FSC-6145