

INCH-POUND

MIL-C-13486/3A

6 June 1989

SUPERSEDING

13486/3

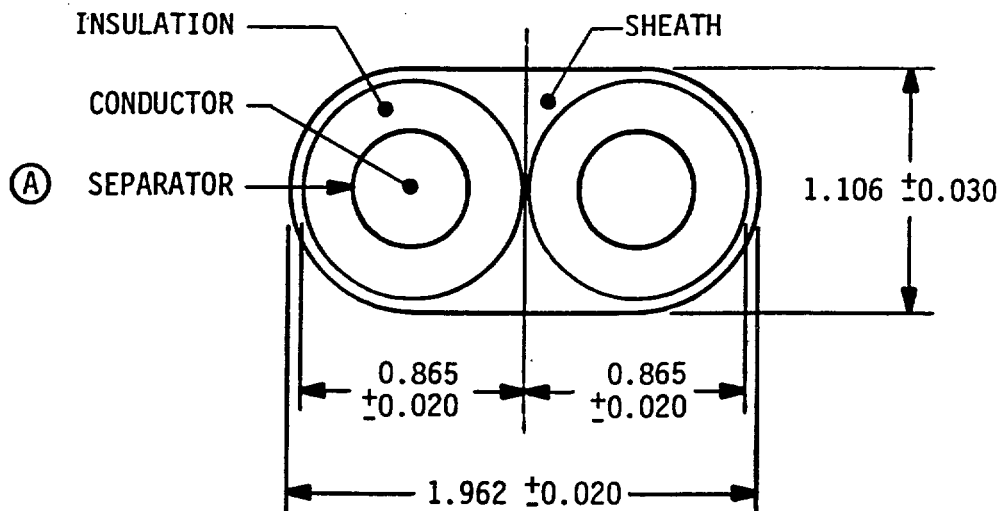
2 June 1964

## MILITARY SPECIFICATION SHEET

CABLE, SPECIAL PURPOSE, ELECTRICAL: LOW-TENSION,  
HEAVY-DUTY, MULTIPLE CONDUCTORS, UNSHIELDED

This specification is approved for use by all Departments and Agencies of the Department of Defense.

The requirements for acquiring the product described herein shall consist of this specification sheet and the issue of the following specification listed in that issue of the Department of Defense Index of Specifications and Standards (DODISS) specified in the solicitation: MIL-C-13486



NOTE: All dimensions are in inches.

FIGURE 1. Dimensions and configuration.

(A) denotes changes

MIL-C-13486/3A

REQUIREMENTS:

Dimensions and configuration: See figure 1 of this specification sheet.

Conductor size: Both conductors shall be size 0000 (see table I of MIL-C-13486).

Configuration: Surfaces of insulated conductors shall touch (see figure 1 of this specification sheet).

Insulated conductors, identification: One insulated conductor shall be solid black in color; the other insulated conductor shall be solid white.

Sheath, thickness and configuration: Sheath thickness shall be not less than 0.040 inch at any point along the cable periphery.

Part or Identifying Number (PIN): M13486/3-1

Former part number: 7056674-2

Custodians:

Army - AT

Navy - SH

Air Force - 85

Preparing activity:

Army - AT

(Project 6145-1075-03)

Review activities:

Air Force - 99

DLA - IS

User activities:

Air Force - 71, 79, 80, 84