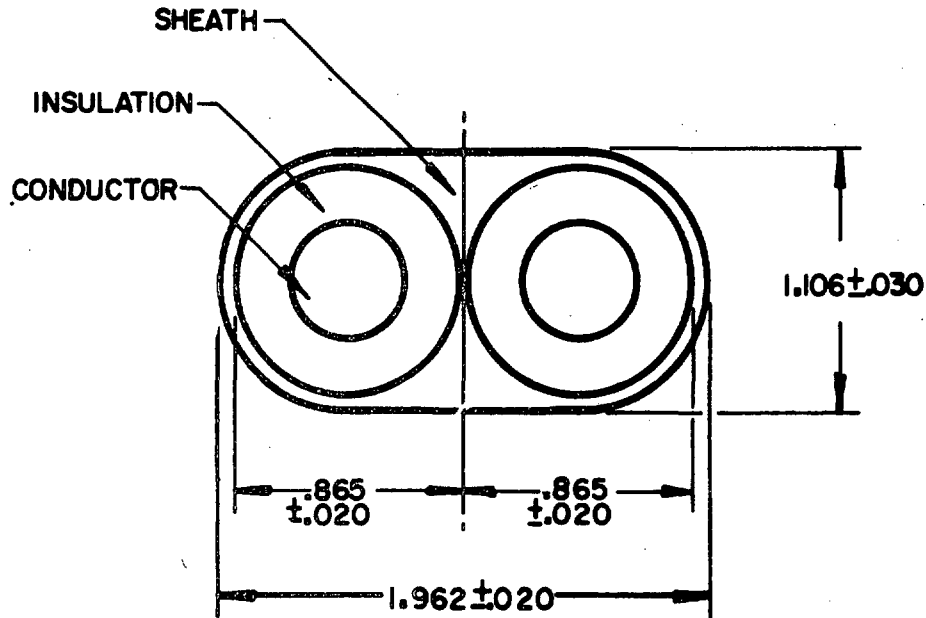


MIL-C-13486/3
2 June 1964

MILITARY SPECIFICATION SHEET

CABLE, SPECIAL PURPOSE, ELECTRICAL: LOW TENSION,
HEAVY DUTY MULTIPLE CONDUCTORS UNSHIELDED

The complete requirements for procuring the cable described herein shall consist of this document and the issue in effect of Specification MIL-C-13486.



NOTE: All dimensions in inches.

REQUIREMENTS:

Dimensions: See above figure.

Conductor size: Both conductors see size 0000 (see Table I of Specification MIL-C-13486).

Configuration: Surfaces of insulated conductors shall touch (see above figure).

Insulated conductors, identification: One insulated conductor shall be solid black in color; the other insulated conductor shall be solid white.

Sheath, thickness and configuration: Sheath thickness shall be no less than .040 inches at any point along the cable periphery.

FSC-6145

13486/3

Part Number: M13486/3-1
Former Part Number: 7056674-2

Custodian:
Army - AT
Navy - SH

Reviewer interest:
Navy - SH

Preparing activity:
Army - AT

Project No. 6145-0287