

INCH-POUND

MIL-C-13486/14A

6 June 1989

SUPERSEDING

MIL-C-13486/14

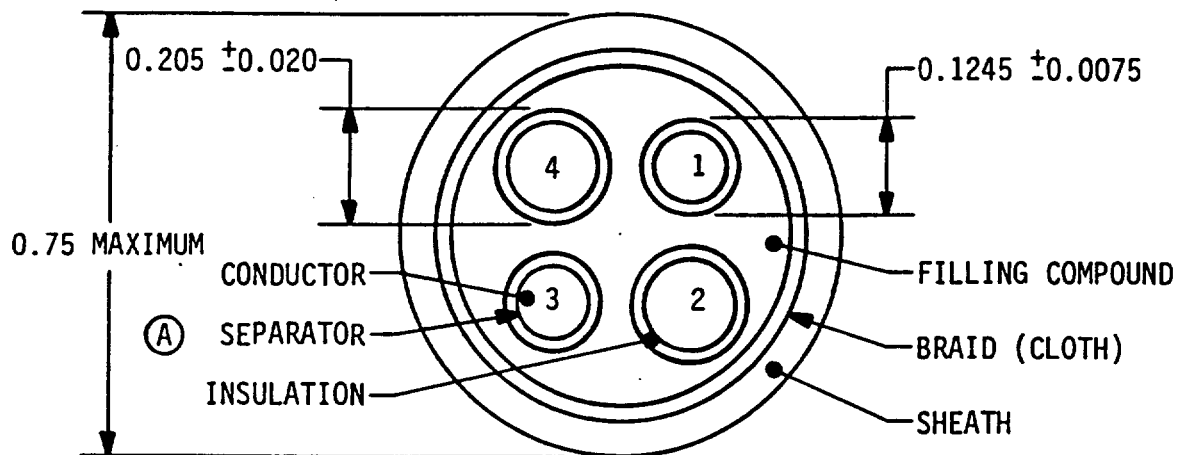
15 January 1965

MILITARY SPECIFICATION SHEET

CABLE, SPECIAL PURPOSE, ELECTRICAL: LOW-TENSION,
HEAVY-DUTY, MULTIPLE CONDUCTORS, UNSHIELDED

This specification is approved for use by all Departments and Agencies of the Department of Defense.

The requirements for acquiring the product described herein shall consist of this specification sheet and the issue of the following specification listed in that issue of the Department of Defense Index of Specifications and Standards (DODISS) specified in the solicitation: MIL-C-13486



NOTE: All dimensions are in inches.

FIGURE 1. Dimensions and configuration.

(A) denotes changes

MIL-C-13486/14A

REQUIREMENTS:

Dimensions and configuration: See figure 1 of this specification sheet.
 Conductor size: Conductors 1 and 3 shall be size 16 and conductors
 2 and 4 shall be size 10 (see table I of MIL-C-13486).
 Insulated conductors, identification: See table I of this specification
 sheet.

TABLE I. Color code chart.

Conductor number	Base
1	White
2	Red
3	Green
4	Black

Part or Identifying umber (PIN): M13486/14-1

Custodians:

Army - AT
 Air Force - 85

Preparing activity:

Army - AT

(Project 6145-1075-14)

Review activities:

Air Force - 99
 DLA - IS

User activities:

Air Force - 71, 79, 80, 84