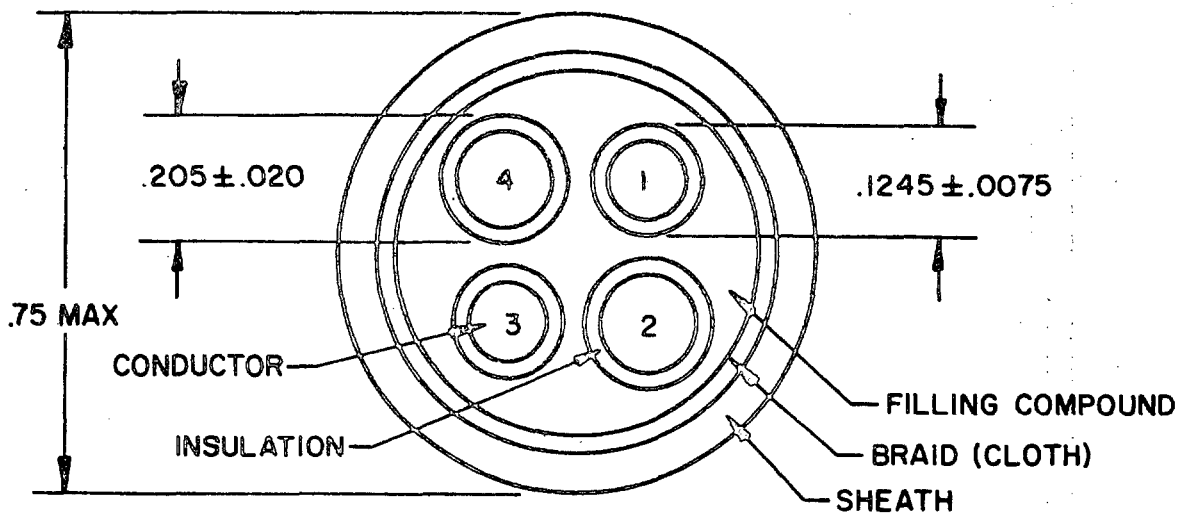


MIL-C-13486/14
15 January 1965

MILITARY SPECIFICATION SHEET

CABLE, SPECIAL PURPOSE, ELECTRICAL:
LOW TENSION, HEAVY DUTY MULTIPLE CONDUCTOR UNSHIELDED

The complete requirements for procuring the cable described herein shall consist of this document and the issue in effect of Specification MIL-C-13486.



Note: All dimensions in inches.

Dimensions and configuration: See figure above.

Conductor size: Conductors 1 and 3 are size 16

Conductors 2 and 4 are size 10

(See Table I of Specification MIL-C-13486)

Insulated conductors identification: See color code chart below.

Color code chart	
Conductor No.	Base
1	White
2	Red
3	Green
4	Black

Part number: M13486/14-1

Former part number:

Custodian:

Army - MO

Air Force - 11

Reviewer interest:

Air Force - 11

Preparing activity:
Army - MO(ATAC)

Project No. 6145-0380

FSC 6145