

INCH-POUND

MIL-C-13486/11A

8 June 1989

SUPERSEDING

13486/11

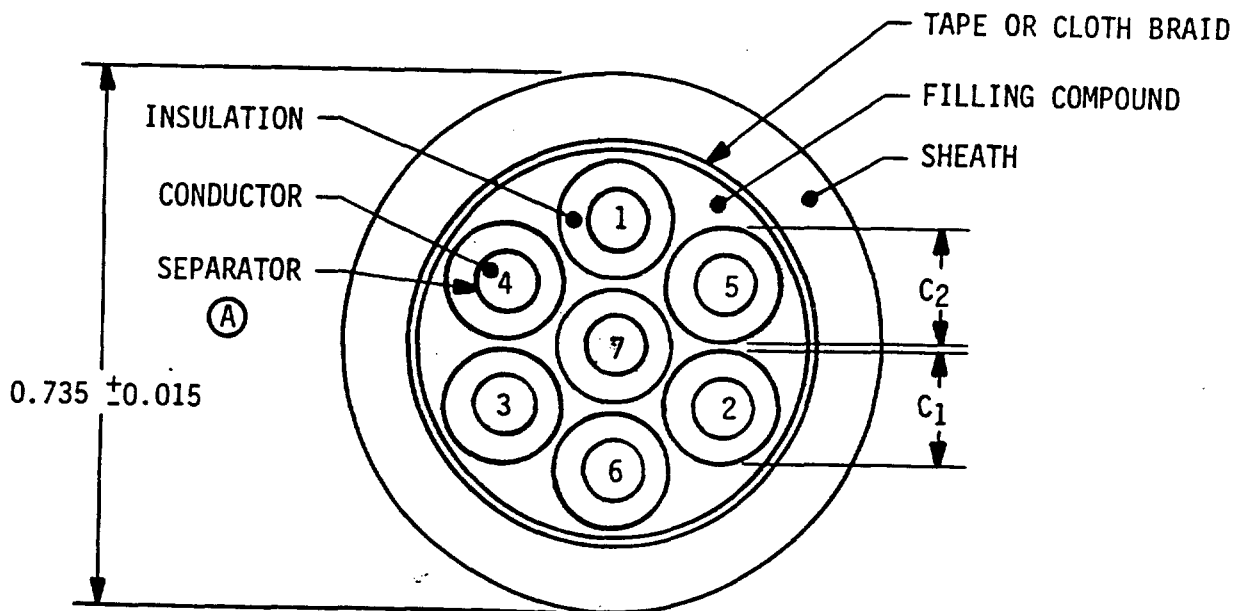
2 June 1964

## MILITARY SPECIFICATION SHEET

CABLE, SPECIAL PURPOSE, ELECTRICAL: LOW-TENSION,  
HEAVY-DUTY, MULTIPLE CONDUCTORS, UNSHIELDED

This specification is approved for use by all Departments and Agencies of the Department of Defense.

The requirements for acquiring the product described herein shall consist of this specification sheet and the issue of the following specification listed in that issue of the Department of Defense Index of Specifications and Standards (DODISS) specified in the solicitation: MIL-C-13486



NOTE: All dimensions are in inches.

FIGURE 1. Dimensions and configuration.

(A) denotes changes

AMSC N/A

1 of 2

FSC 6145

DISTRIBUTION STATEMENT A. Approved for public release; distribution is unlimited.

## MIL-C-13486/11A

## REQUIREMENTS:

Dimensions and configuration: See figure 1 of this specification sheet and diameter "C" below.

Conductor size: Conductors 1, 2, and 3 shall be size 12 and 4, 5, 6, and 7 shall be size 14 (see table I of MIL-C-13486).

Insulated conductor diameter "C": "C<sub>1</sub>" = 0.156 ± 0.010 inch for insulated conductors 1, 2, and 3. "C<sub>2</sub>" = 0.137 ± 0.010 inch for insulated conductors 4, 5, 6, and 7.

Insulated conductors, identification: See table I of this specification sheet.

TABLE I. Color code chart.

| Conductor number | Base  | Stripe |
|------------------|-------|--------|
| 1                | Green | None   |
| 2                | Green | Black  |
| 3                | Green | White  |
| 4                | Red   | None   |
| 5                | Red   | Black  |
| 6                | Red   | White  |
| 7                | Red   | Green  |

Part or Identifying Number (PIN): M13486/11-1

Former part number: 7056685

## Custodians:

Army - AT

Navy - SH

Air Force - 85

## Preparing activity:

Army - AT

(Project 6145-1075-11)

## Review activities:

Air Force - 99

DLA - IS

## User activities:

Air Force - 71, 79, 80, 84