

METRIC

NOTE: The document identifier and heading has changed on this page to reflect that this is a performance specification. There are no other changes to this document. The document identifier on subsequent pages has not been changed, but will be changed the next time this document is revised.

MIL-PRF-63460D
AMENDMENT 6
24 JULY 1995
SUPERSEDING
AMENDMENT 5
5 DECEMBER 1993

PERFORMANCE SPECIFICATION
LUBRICANT, CLEANER AND PRESERVATIVE
FOR WEAPONS AND WEAPONS SYSTEMS

This amendment forms a part of MIL-L-63460D, dated 5 August 1985, and is approved for use by all Departments and agencies of the Department of Defense.

PAGE 2

2.1.1, SPECIFICATIONS, Military: Add the following military specifications:

"MIL-P-51408	- Paper, Chemical Agent Detector, VGH, ABC-M8
MIL-P-51493	- Paper, Chemical Agent Detector: M9"
MIL-P-51518	- Paper, Chemical Agent Detector, M9"

STANDARDS, Military: Change the title of MIL-STD-290 to "Packaging of Petroleum and Related Products."

Delete listing of "MIL-STD-105" and associated title, "Sampling Procedures and Tables for Inspection by Attributes"

PAGE 3

2.2: After listing of "ASTM A109", include "ASTM D56 - Flash Point by Tag Closed Tester."

Change listing of "ASTM D97" to "Pour Point of Petroleum Oils."

Delete reference to "ASTM D3278 - Flash Point of Liquids by Setaflash Closed Tester."

Change title of "ASTM D4057" to "Manual Sampling of Petroleum and Petroleum Products."

AMSC N/A

FSC 9150

DISTRIBUTION STATEMENT A. Approved for public release; distribution is unlimited.

MIL-L-63460D

AMENDMENT 6

PAGE 4

3.2.1, line 1: DELETE "Formutation" and SUBSTITUTE "Formulation".

Add the following paragraph:

"3.2.2 Ozone depleting substances (ODSs). CLP shall contain no Class I ozone depleting substances (see 6.14) as formulation ingredients."

PAGES 4 AND 5

3.4: DELETE entire paragraph.

PAGE 6

3.13: DELETE paragraph and SUBSTITUTE:

"3.13 WORKMANSHIP. After shaking until all visible residue has been removed from the bottom of a translucent unit container, but for a period of time not to exceed 30 seconds, CLP shall be uniform in color and appearance when examined in reflected light. Failure of residue on bottom of container to disperse after shaking container for 30 seconds shall be cause for rejection."

PAGE 7

■ 4.3 and 4.3.1: DELETE paragraphs entirely.

4.3.2: DELETE reference to "D1477" and SUBSTITUTE "D4177."

PAGE 9

TABLE II: DELETE "D3278" and INSERT "D56".

TABLE II, NOTE 2/, line 6: DELETE reference to "milipore" and SUBSTITUTE "pore diameter".

4.7, line 6: DELETE "naptha" and SUBSTITUTE "naphtha".

PAGE 10

4.8: DELETE entire paragraph

4.9, line 1: DELETE "5 ± .05 grams (.1g precision)" and SUBSTITUTE "5.0 ± .5 grams".

line 19: DELETE "75cc" and SUBSTITUTE "75ml".

PAGE 11

4.10, line 8 (after list of metals): DELETE "naptha" and SUBSTITUTE "naphtha".

MIL-L-63460D

AMENDMENT 6

PAGE 13

4.13, line 2: DELETE "naptha" and SUBSTITUTE "naphtha".

PAGE 14

4.16, first sentence: CHANGE to read "This test shall be conducted using three different 3 inch strips each of ABC M8, per MIL-P-51408, and M9, per MIL-P-51493 or MIL-P-51518, Chemical Agent Detector Papers".

ADD the following paragraph:

"4.17.1 Ozone depleting substances. As a requirement for qualification and at the time of award of contract, suppliers of CLP shall certify product conformance to 3.2.2".

4.18.1, line 6: DELETE "naptha" and SUBSTITUTE "naphtha".

PAGE 16

INSERT new "SECTION 5" paragraphs as follows:

5.1.1 Container Color. All containers of CLP shall be translucent high density polyethylene.

5.1.2 Bottle, 0.5 oz. When the unit container specified is of the 0.5 oz size, the bottle material and dimensions shall conform to Figure 2.

5.1.2.1 Container integrity. After shaking container in conformance to 3.13, containers shall show no evidence of leakage. Containers shall show no evidence of leakage either before or after initial use, that is, after using the CLP and securing cap, container shall show no evidence of leakage after shaking.

PAGES 16 AND 17

6.3, lines 10 and 11: CHANGE address of activity responsible for the Qualified Products List to "U.S. Army Armament Research, Development and Engineering Center, ATTN: SMCAR-BAC-S, Picatinny Arsenal, NJ 07806-5000".

PAGE 17

6.6: DELETE reference to "9150-01-079-6123" and "1.1 fl oz plastic bottle IAW drawing", and INSERT in place "9150-01-102-1473" and "0.5 oz plastic bottle (See Figure 2)".

PAGE 18

ADD the following paragraph:

"6.14 Class I ozone depleting substances. The identification of Class I ozone depleting substances must be in conformance to Section 602(a) of the Clean Air Act Amendments of 1990 (42USC 7671a) as identified in Section 326 of PL 102-484."

MIL-L-63460D
AMENDMENT 6

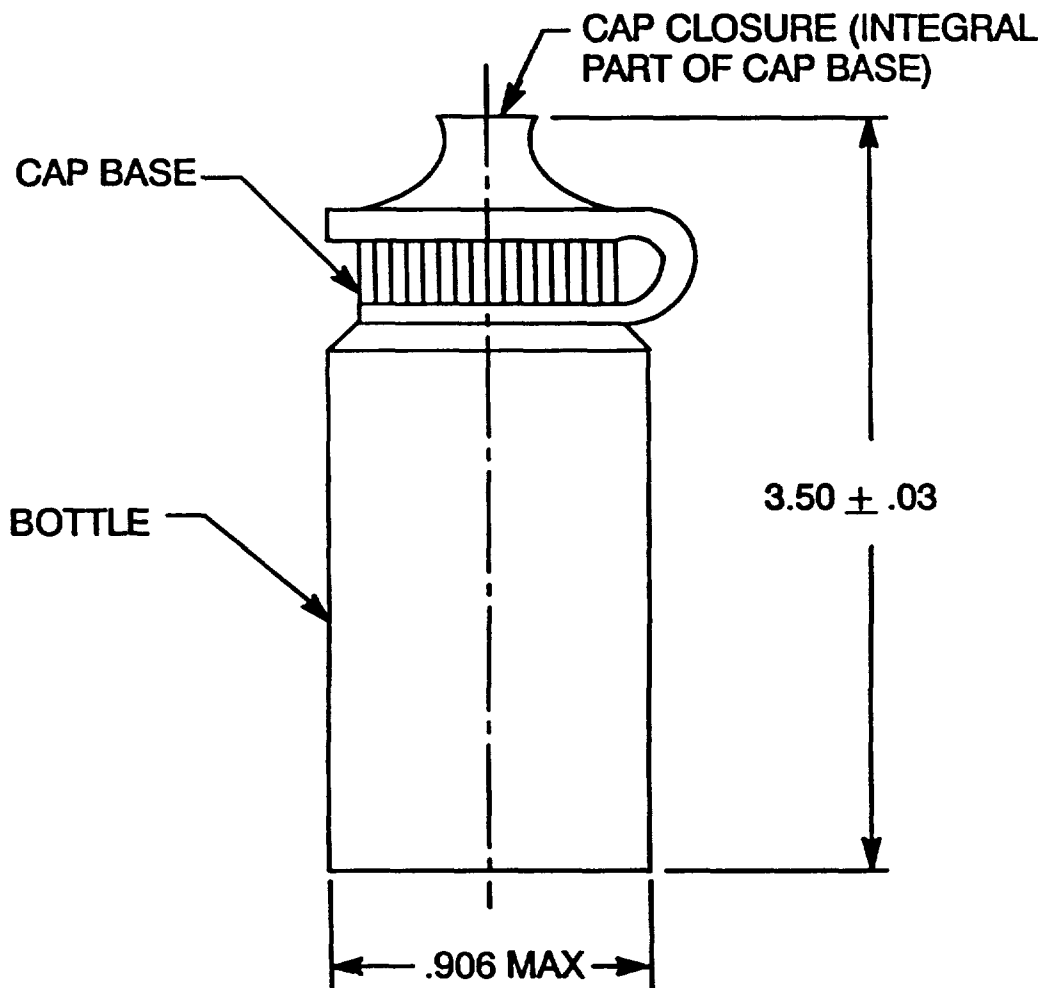


FIGURE 2. Bottle, 0.5 Oz Cylindrical.

NOTES:

1. Plastic, Polyethylene, Type I, Class H, Grade 2, Translucent, per L-P-390.
2. Bottle shall have a minimum capacity after oven drying of .68 fluid ounces when filled to overflow.
3. Thread shall be free from flash, rough parting lines and other defects which will interfere with proper sealability.

MIL-L-63460D

AMENDMENT 6

The margins of this amendment are marked with an asterisk or vertical lines to indicate where changes (additions, modifications, corrections, deletions) from the previous issue were made. This was done as a convenience only and the Government assumes no liability whatsoever for any inaccuracies in these notations. Bidders and contractors are cautioned to evaluate the requirements of this document based on the entire content irrespective of the marginal notations and relationship to the previous amendment.

Custodians:

Army – AR
Navy – AS
Air Force – 11

Preparing activity:

Army – AR

(Project: 9150–1157)

Review activities:

Army – ME, MD, SM
Air Force – 68
DLA– GS