

NOV 17 1997
11

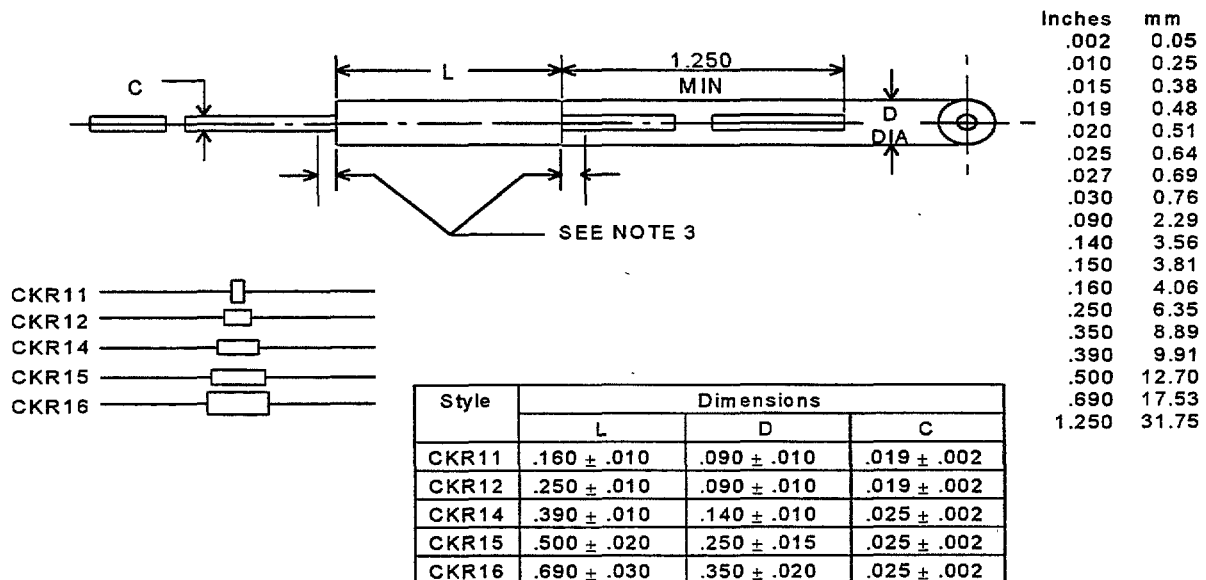
INCH-POUND
MIL-PRF-39014/5F
16 September 1997
SUPERSEDING
MIL-C-39014/5E
16 August 1978

PERFORMANCE SPECIFICATION SHEET
CAPACITORS, FIXED, CERAMIC DIELECTRIC
(GENERAL PURPOSE),
ESTABLISHED RELIABILITY,
STYLES CKR11, CKR12, CKR14, CKR15, AND CKR16

This specification is approved for use by all Departments and Agencies of the Department of Defense.

The requirements for acquiring the product described herein shall consist of this specification and MIL-PRF-39014.

FAILURE RATE LEVEL "L" IS INACTIVE FOR NEW DESIGN AFTER 31 OCTOBER 1975.



NOTES:

1. Dimensions are in inches.
2. Metric equivalents are given for general information only.
3. Nonconductive material shall not extend beyond .010 inch (.25mm) from end of capacitor body.
4. Lead length may be a minimum of one inch long for use in tape and reel automatic insertion equipment, when specified in the ordering data.

FIGURE 1. Dimensions and configuration.

MIL-PRF-39014/5F

REQUIREMENTS:

Dimensions and configuration - See figure 1.

Case type - Tubular, molded or performed plastic encapsulated.

Capacitance value - See table I.

Capacitance tolerance - See table I.

Operating temperature range - -55°C to +125°C.

Voltage rating - See table I.

Radiographic inspection (failure rate level S only - In accordance with MIL-PRF-39014.

Dissipation factor (DF) - Not more than 2.5 percent for BX; not more than 3.0 percent for BR.

Dielectric withstanding voltage - Body insulation shall be able to withstand 500 Vdc between leads and case.

Insulation resistance (IR):

At 25°C - Not less than 100,000 megohms or 1,000 megohm-microfarads whichever is less.

At 125°C - Not less than 10,000 megohms or 100 megohm-microfarads whichever is less.

Seal - Not applicable.

Voltage-temperature limits - In accordance with MIL-PRF-39014.

Symbol	Capacitance change with reference to 25°C	
	tep A through step D of table V ias = 0 volts	Step E through step G of table V Bias = rated voltage
BX	±15 percent	+15 percent, -25 percent as applicable (see table I)
BR	±15 percent	+15 percent, -40 percent as applicable (see table I)

Immersion (IR) - IR not less than 50 percent of initial 25°C requirement.

Salt spray (corrosion) - Not applicable.

Resistance to soldering heat - ΔC +15, -5 percent of the initial 25°C measurement.

Life:

Rated conditions - 100 percent of dc rated voltage at 125°C.

0 hours through 3,000 hours:

IR At 25°C, not less than 50 percent of initial 25°C requirement.
At 125°C, not less than 50 percent of initial 125°C requirement.

MIL-PRF-39014/5F

ΔC ±20 percent from initial measured value.

DF Not greater than 2.5 percent for BX; not more than 3.0 percent for BR.

4,000 hours through 32,000 hours:

IR At 25°C, not less than 15 percent of initial 25°C requirement.
At 125°C, not less than 15 percent of initial 125°C requirement.

ΔC ±20 percent from initial measured value.

DF Not greater than 2.5 percent for BX; not more than 3.0 percent for BR.

Accelerated conditions - 200 percent of dc rated voltage at 125°C.

0 hours and 250 hours:

IR At 25°C, not less than 50 percent of initial 25°C requirement.
At 125°C, not less than 50 percent of initial 125°C requirement.

ΔC ±20 percent from initial measured value.

DF Not greater than 2.5 percent for BX; not more than 3.0 percent for BR.

1,000 hours, 2,000 hours, and 4,000 hours:

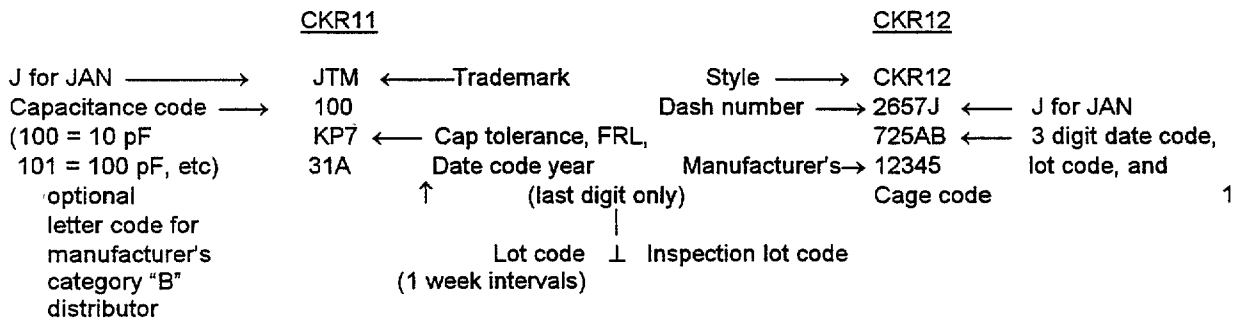
IR At 25°C, not less than 15 percent of initial 25°C requirement.
At 125°C, not less than 15 percent of initial 125°C requirement.

ΔC ±20 percent from initial measured value.

DF Not greater than 2.5 percent for BX; not more than 3.0 percent for BR.

Part or Identifying Number (PIN): M39014/05-(dash number from table I).

Marking: In accordance with MIL-PRF-39014, except that minimum marking as shown in the following example will be permitted for styles CKR11 and CKR12. Full marking shall be included on the package.



MIL-PRF-39014/5F

TABLE I. Dash number and electrical characteristics.

Dash number				Capacitance	Capacitance tolerance	DC rated voltage
Failure rate level (%/1,000 hours)						
1.0(M)	0.1(P)	0.01(R)	0.001(S)			
Style CKR11, voltage-temperature limits of ± 15 percent and $+15$ percent, -25 percent						
				<u>pF</u>	<u>\pm percent</u>	<u>volts</u>
2601	2801	2001	2201	10	10	100
2602	2802	2002	2202	10	20	100
2603	2803	2003	2203	12	10	100
2604	2804	2004	2204	15	10	100
2605	2805	2005	2205	15	20	100
2606	2806	2006	2206	18	10	100
2607	2807	2007	2207	22	10	100
2608	2808	2008	2208	22	20	100
2609	2809	2009	2209	27	10	100
2610	2810	2010	2210	33	10	100
2611	2811	2011	2211	33	20	100
2612	2812	2012	2212	39	10	100
2613	2813	2013	2213	47	10	100
2614	2814	2014	2214	47	20	100
2615	2815	2015	2215	56	10	100
2616	2816	2016	2216	68	10	100
2617	2817	2017	2217	68	20	100
2618	2818	2018	2218	82	10	100
2619	2819	2019	2219	100	10	100
2620	2820	2020	2220	100	20	100
2621	2821	2021	2221	120	10	100
2622	2822	2022	2222	150	10	100
2623	2823	2023	2223	150	20	100
2624	2824	2024	2224	180	10	100
2625	2825	2025	2225	220	10	100
2626	2826	2026	2226	220	20	100
2627	2827	2027	2227	270	10	100
2628	2828	2028	2228	330	10	100
2629	2829	2029	2229	330	20	100
2630	2830	2030	2230	390	10	100
2631	2831	2031	2231	470	10	100
2632	2832	2032	2232	470	20	100
2633	2833	2033	2233	560	10	100
2634	2834	2034	2234	680	10	100
2635	2835	2035	2235	680	20	100
2636	2836	2036	2236	820	10	100
2637	2837	2037	2237	1,000	10	100
2638	2838	2038	2238	1,000	20	100
2639	2839	2039	2239	1,200	10	100
2640	2840	2040	2240	1,500	10	100
2641	2841	2041	2241	1,500	20	100
2642	2842	2042	2242	1,800	10	100
2643	2843	2043	2243	2,200	10	100
2644	2844	2044	2244	2,200	20	100
2645	2845	2045	2245	2,700	10	100
2646	2846	2046	2246	3,300	10	100
2647	2847	2047	2247	3,300	20	100

MIL-PRF-39014/5F

TABLE I. Dash number and electrical characteristics - Continued.

Dash number				Capacitance	Capacitance tolerance	DC rated voltage
Failure rate level (%/1,000 hours)						
1.0 (M)	0.1(P)	0.01(R)	0.001(S)			
Style CKR11, voltage-temperature limits of ± 15 percent and +15 percent, -25 percent						
				<u>pF</u>	<u>\pm percent</u>	<u>volts</u>
2648	2848	2048	2248	3,900	10	100
2649	2849	2049	2249	4,700	10	100
2650	2850	2050	2250	4,700	20	100
2651	2851	2051	2251	5,600	10	50
2652	2852	2052	2252	6,800	10	50
2653	2853	2053	2253	6,800	20	50
2654	2854	2054	2254	8,200	10	50
2655	2855	2055	2255	10,000	10	50
2656	2856	2056	2256	10,000	20	50
Style CKR12, voltage-temperature limits of ± 15 percent and +15 percent, -25 percent						
				<u>pF</u>	<u>\pm percent</u>	<u>volts</u>
2657	2857	2057	2257	5,600	10	100
2658	2858	2058	2258	6,800	10	100
2659	2859	2059	2259	6,800	20	100
2660	2860	2060	2260	8,200	10	100
2661	2861	2061	2261	10,000	10	100
2662	2862	2062	2262	10,000	20	100
2663	2863	2063	2263	12,000	10	50
2664	2864	2064	2264	15,000	10	50
2665	2865	2065	2265	15,000	20	50
2666	2866	2066	2266	18,000	10	50
2667	2867	2067	2267	22,000	10	50
2668	2868	2068	2268	22,000	20	50
2669	2869	2069	2269	27,000	10	50
2670	2870	2070	2270	33,000	10	50
2671	2871	2071	2271	33,000	20	50
2672	2872	2072	2272	39,000	10	50
2673	2873	2073	2273	47,000	10	50
2674	2874	2074	2274	47,000	20	50

MIL-PRF-39014/5F

TABLE I. Dash number and electrical characteristics - Continued.

Dash number				Capacitance	Capacitance tolerance	DC rated voltage
Failure rate level (%/1,000 hours)						
1.0(M)	0.1(P)	0.01(R)	0.001(S)			
Style CKR14, voltage-temperature limits of ± 15 percent and +15 percent, -25 percent						
				<u>pF</u>	<u>\pm percent</u>	<u>volts</u>
2675	2875	2075	2275	12,000	10	100
2676	2876	2076	2276	15,000	10	100
2677	2877	2077	2277	15,000	20	100
2678	2878	2078	2278	18,000	10	100
2679	2879	2079	2279	22,000	10	100
2680	2880	2080	2280	22,000	20	100
2681	2881	2081	2281	27,000	10	100
2682	2882	2082	2282	33,000	10	100
2683	2883	2083	2283	33,000	20	100
2684	2884	2084	2284	39,000	10	100
2685	2885	2085	2285	47,000	10	100
2686	2886	2086	2286	47,000	20	100
2687	2887	2087	2287	56,000	10	50
2688	2888	2088	2288	68,000	10	50
2689	2889	2089	2289	68,000	20	50
2690	2890	2090	2290	82,000	10	50
2691	2891	2091	2291	100,000	10	50
2692	2892	2092	2292	100,000	20	50
Style CKR14, voltage-temperature limits of ± 15 percent and +15 percent, -40 percent						
				<u>pF</u>	<u>\pm percent</u>	<u>volts</u>
2693	2893	2093	2293	56,000	10	100
2694	2894	2094	2294	68,000	10	100
2695	2895	2095	2295	68,000	20	100
2696	2896	2096	2296	82,000	10	100
2697	2897	2097	2297	100,000	10	100
2698	2898	2098	2298	100,000	20	100
2699	2899	2099	2299	120,000	10	50
2700	2900	2100	2300	150,000	10	50
2701	2901	2101	2301	150,000	20	50
2702	2902	2102	2302	180,000	10	50
2703	2903	2103	2303	220,000	10	50
2704	2904	2104	2304	220,000	20	50
2705	2905	2105	2305	270,000	10	50
Style CKR15, voltage-temperature limits of ± 15 percent and +15 percent, -25 percent						
				<u>pF</u>	<u>\pm percent</u>	<u>volts</u>
2706	2906	2106	2306	56,000	10	100
2707	2907	2107	2307	68,000	10	100
2708	2908	2108	2308	68,000	20	100
2709	2909	2109	2309	82,000	10	100
2710	2910	2110	2310	100,000	10	100
2711	2911	2111	2311	100,000	20	100

MIL-PRF-39014/5F

TABLE I. Dash number and electrical characteristics - Continued.

Dash number				Capacitance	Capacitance tolerance	DC rated voltage
Failure rate level (%/1,000 hours)						
1.0(M)	0.1(P)	0.01(R)	0.001(S)			
Style CKR15, voltage-temperature limits of ± 15 percent and +15 percent, -40 percent						
				<u>pF</u>	<u>\pm percent</u>	<u>volts</u>
2712	2912	2112	2312	120,000	10	100
2713	2913	2113	2313	150,000	10	100
2714	2914	2114	2314	150,000	20	100
2715	2915	2115	2315	180,000	10	100
2716	2916	2116	2316	220,000	10	100
2717	2917	2117	2317	220,000	20	100
2718	2918	2118	2318	270,000	10	100
2719	2919	2119	2319	330,000	10	100
2720	2920	2120	2320	330,000	20	100
2721	2921	2121	2321	470,000	10	50
2722	2922	2122	2322	470,000	20	50
2723	2923	2123	2323	680,000	10	50
2724	2924	2124	2324	680,000	20	50
2725	2925	2125	2325	100,000	10	50
2726	2926	2126	2326	100,000	20	50
Style CKR16, voltage-temperature limits of ± 15 percent and +15 percent, -40 percent						
				<u>pF</u>	<u>\pm percent</u>	<u>volts</u>
2727	2927	2127	2327	470,000	10	100
2728	2928	2128	2328	470,000	20	100
2729	2929	2129	2329	680,000	10	100
2730	2930	2130	2330	680,000	20	100
2731	2931	2131	2331	1,000,000	10	100
2732	2932	2132	2332	1,000,000	20	100
2733	2933	2133	2333	2,200,000	10	50
2734	2934	2134	2334	2,200,000	20	50
2735	2935	2135	2335	3,300,000	10	50
2736	2936	2136	2336	3,300,000	20	50

Supersession data: See table II.

MIL-PRF-39014/5F

TABLE II. Substitutability data.

Dash number in MIL-C-39014 /5C, /5D, /5E and MIL-PRF-39014/5F 1/					Substitutable for dash number in														
					MIL-C-39014/5B					MIL-C-39014/5A					MIL-C-39014/5				
L 2/	M	P	R	S	L	M	P	R	S	L	M	P	R	S	L	M	P	R	S
2401	2601	2801	2001	2201	0401	0601	0801	1001	1201	-	0201	0251	0301	0351	-	0001	0002	0003	0004
2402	2602	2802	2002	2202	0402	0602	0802	1002	1202	-	0202	0252	0302	0352	-	0005	0006	0007	0008
2403	2603	2803	2003	2203	0403	0603	0803	1003	1203	-	—	—	—	—	-	—	—	—	—
2404	2604	2804	2004	2204	0404	0604	0804	1004	1204	-	—	—	—	—	-	—	—	—	—
2405	2605	2805	2005	2205	0405	0605	0805	1005	1205	-	—	—	—	—	-	—	—	—	—
2406	2606	2806	2006	2206	0406	0606	0806	1006	1206	-	—	—	—	—	-	—	—	—	—
2407	2607	2807	2007	2207	0407	0607	0807	1007	1207	-	0203	0253	0303	0353	-	0009	0010	0011	0012
2408	2608	2808	2008	2208	0408	0608	0808	1008	1208	-	0204	0254	0304	0354	-	0013	0014	0015	0016
2409	2609	2809	2009	2209	0409	0609	0809	1009	1209	-	—	—	—	—	-	—	—	—	—
2410	2610	2810	2010	2210	0410	0610	0810	1010	1210	-	0205	0255	0305	0355	-	0017	0018	0019	0020
2411	2611	2811	2011	2211	0411	0611	0811	1011	1211	-	0206	0256	0306	0356	-	0021	0022	0023	0024
2412	2612	2812	2012	2212	0412	0612	0812	1012	1212	-	—	—	—	—	-	—	—	—	—
2413	2613	2813	2013	2213	0413	0613	0813	1013	1213	-	0207	0257	0307	0357	-	0025	0026	0027	0028
2414	2614	2814	2014	2214	0414	0614	0814	1014	1214	-	0208	0258	0308	0358	-	0029	0030	0031	0032
2415	2615	2815	2015	2215	0415	0615	0815	1015	1215	-	0209	0259	0309	0359	-	0033	0034	0035	0036
2416	2616	2816	2016	2216	0416	0616	0816	1016	1216	-	0210	0260	0310	0360	-	0037	0038	0039	0040
2417	2617	2817	2017	2217	0417	0617	0817	1017	1217	-	0211	0261	0311	0361	-	0041	0042	0043	0044
2418	2618	2818	2018	2218	0418	0618	0818	1018	1218	-	0212	0262	0312	0362	-	0045	0046	0047	0048
None	None	None	None	None	None	None	None	None	None	-	0213	0263	0313	0363	-	0049	0050	0051	0052
2419	2619	2819	2019	2219	0419	0619	0819	1019	1219	-	0214	0264	0314	0364	-	0053	0054	0055	0056
2420	2620	2820	2020	2220	0420	0620	0820	1020	1220	-	0215	0265	0315	0365	-	0057	0058	0059	0060
2421	2621	2821	2021	2221	0421	0621	0821	1021	1221	-	—	—	—	—	-	—	—	—	—
2422	2622	2822	2022	2222	0422	0622	0822	1022	1222	-	0216	0266	0316	0366	-	0061	0062	0063	0064
2423	2623	2823	2023	2223	0423	0623	0823	1023	1223	-	0217	0267	0317	0367	-	0065	0066	0067	0068
2424	2624	2824	2024	2224	0424	0624	0824	1024	1224	-	0218	0268	0318	0368	-	0069	0070	0071	0072
2425	2625	2825	2025	2225	0425	0625	0825	1025	1225	-	0219	0269	0319	0369	-	0073	0074	0075	0076
2426	2626	2826	2026	2226	0426	0626	0826	1026	1226	-	0220	0270	0320	0370	-	0077	0078	0079	0080
2427	2627	2827	2027	2227	0427	0627	0827	1027	1227	-	—	—	—	—	-	—	—	—	—
2428	2628	2828	2028	2228	0428	0628	0828	1028	1228	-	0221	0271	0321	0371	-	0081	0082	0083	0084
2429	2629	2829	2029	2229	0429	0629	0829	1029	1229	-	0222	0272	0322	0372	-	0085	0086	0087	0088
2430	2630	2830	2030	2230	0430	0630	0830	1030	1230	-	0223	0273	0323	0373	-	0089	0090	0091	0092
2431	2631	2831	2031	2231	0431	0631	0831	1031	1231	-	0224	0274	0324	0374	-	0093	0094	0095	0096
2432	2632	2832	2032	2232	0432	0632	0832	1032	1232	-	0225	0275	0325	0375	-	0097	0098	0099	0100
2433	2633	2833	2033	2233	0433	0633	0833	1033	1233	-	0226	0276	0326	0376	-	0101	0102	0103	0104
2434	2634	2834	2034	2234	0434	0634	0834	1034	1234	-	0227	0277	0327	0377	-	0105	0106	0107	0108
2435	2635	2835	2035	2235	0435	0635	0835	1035	1235	-	0228	0278	0328	0378	-	0109	0110	0111	0112
None	None	None	None	None	None	None	None	None	None	-	0229	0279	0329	0379	-	0113	0114	0115	0116
2436	2636	2836	2036	2236	0436	0636	0836	1036	1236	-	0230	0280	0330	0380	-	0117	0118	0119	0120
None	None	None	None	None	None	None	None	None	None	-	0231	0281	0331	0381	-	0121	0122	0123	0124
2437	2637	2837	2037	2237	0437	0637	0837	1037	1237	-	0232	0282	0332	0382	-	0125	0126	0127	0128
2438	2638	2838	2038	2238	0438	0638	0838	1038	1238	-	0233	0283	0333	0383	-	0129	0130	0131	0132
2439	2639	2839	2039	2239	0439	0639	0839	1039	1239	-	0234	0284	0334	0384	-	0133	0134	0135	0136
2440	2640	2840	2040	2240	0440	0640	0840	1040	1240	-	0235	0285	0335	0385	-	0137	0138	0139	0140
2441	2641	2841	2041	2241	0441	0641	0841	1041	1241	-	0236	0286	0336	0386	-	0141	0142	0143	0144
2442	2642	2842	2042	2242	0442	0642	0842	1042	1242	-	0237	0287	0337	0387	-	0145	0146	0147	0148
2443	2643	2843	2043	2243	0443	0643	0843	1043	1243	-	0238	0288	0338	0388	-	0149	0150	0151	0152
2444	2644	2844	2044	2244	0444	0644	0844	1044	1244	-	0239	0289	0339	0389	-	0153	0154	0155	0156
2445	2645	2845	2045	2245	0445	0645	0845	1045	1245	-	—	—	—	—	-	—	—	—	—
2446	2646	2846	2046	2246	0446	0646	0846	1046	1246	-	0240	0290	0340	0390	-	0157	0158	0159	0160
2447	2647	2847	2047	2247	0447	0647	0847	1047	1247	-	0241	0291	0341	0391	-	0161	0162	0163	0164

See footnote at end of table.

MIL-PRF-39014/5F

TABLE II. Substitutability data - Continued.

Dash number in MIL-C-39014 /5C, /5D, /5E, and MIL-PRF-39014/5F 1/					Substitutable for dash number in														
					MIL-C-39014/5B					MIL-C-39014/5A					MIL-C-39014/5				
L 2/	M	P	R	S	L	M	P	R	S	L	M	P	R	S	L	M	P	R	S
2448	2648	2848	2048	2248	0448	0648	0848	1048	1248	-	-	-	-	-	-	-	-	-	-
2449	2649	2849	2049	2249	0449	0649	0849	1049	1249	-	0242	0292	0342	0392	-	0165	0166	0167	0168
2450	2650	2850	2050	2250	0450	0650	0850	1050	1250	-	0243	0293	0343	0393	-	0169	0170	0171	0172
2451	2651	2851	2051	2251	0451	0651	0851	1051	1251	-	-	-	-	-	-	-	-	-	-
2452	2652	2852	2052	2252	0452	0652	0852	1052	1252	-	0244	0294	0344	0394	-	-	-	-	-
2453	2653	2853	2053	2253	0453	0653	0853	1053	1253	-	0245	0295	0345	0395	-	-	-	-	-
2454	2654	2854	2054	2254	0454	0654	0854	1054	1254	-	-	-	-	-	-	-	-	-	-
2455	2655	2855	2055	2255	0455	0655	0855	1055	1255	-	0246	026	0346	0396	-	0173	0174	0175	0176
2456	2656	2856	2056	2256	0456	0656	0856	1056	1256	-	0247	0297	0347	0397	-	0177	0178	0179	0180

TABLE II. Substitutability data - Continued.

Dash number in MIL-C-39014/5C, /5D, /5E and MIL-PRF-39014/5F 1/					Substitutable for dash number in MIL-C-39014/5B				
L 2/	M	P	R	S	L	M	P	R	S
2457	2657	2857	2057	2257	0457	0657	0857	1057	1257
2458	2658	2858	2058	2258	0458	0658	0858	1058	1258
2459	2659	2859	2059	2259	0459	0659	0859	1059	1259
2460	2660	2860	2060	2260	0460	0660	0860	1060	1260
2461	2661	2861	2061	2261	0461	0661	0861	1061	1261
2462	2662	2862	2062	2262	0462	0662	0862	1062	1262
2463	2663	2863	2063	2263	0463	0663	0863	1063	1263
2464	2664	2864	2064	2264	0464	0664	0864	1064	1264
2465	2665	2865	2065	2265	0465	0665	0865	1065	1265
2466	2666	2866	2066	2266	0466	0666	0866	1066	1266
2467	2667	2867	2067	2267	0467	0667	0867	1067	1267
2468	2668	2868	2068	2268	0468	0668	0868	1068	1268
2469	2669	2869	2069	2269	0469	0669	0869	1069	1269
2470	2670	2870	2070	2270	0470	0670	0870	1070	1270
2471	2671	2871	2071	2271	0471	0671	0871	1071	1271
2472	2672	2872	2072	2272	0472	0672	0872	1072	1272
2473	2673	2873	2073	2273	0473	0673	0873	1073	1273
2474	2674	2874	2074	2274	0474	0674	0874	1074	1274
2475	2675	2875	2075	2275	0475	0675	0875	1075	1275
2476	2676	2876	2076	2276	0476	0676	0876	1076	1276
2477	2677	2877	2077	2277	0477	0677	0877	1077	1277
2478	2678	2878	2078	2278	0478	0678	0878	1078	1278
2479	2679	2879	2079	2279	0479	0679	0879	1079	1279
2480	2680	2880	2080	2280	0480	0680	0880	1080	1280
2481	2681	2881	2081	2281	0481	0681	0881	1081	1281
2482	2682	2882	2082	2282	0482	0682	0882	1082	1282
2483	2683	2883	2083	2283	0483	0683	0883	1083	1283
2484	2684	2884	2084	2284	0484	0684	0884	1084	1284
2485	2685	2885	2085	2285	0485	0685	0885	1085	1285
2486	2686	2886	2086	2286	0486	0686	0886	1086	1286
2487	2687	2887	2087	2287	0487	0687	0887	1087	1287
2488	2688	2888	2088	2288	0488	0688	0888	1088	1288
2489	2689	2889	2089	2289	0489	0689	0889	1089	1289

See footnote at end of table.

MIL-PRF-39014/5F

TABLE II. Substitutability data - Continued.

Dash number in MIL-C-39014/5C, /5D, /5E and MIL-PRF-39014/5F 1/					Substitutable for dash number in MIL-C-39014/5B				
L 2/	M	P	R	S	L	M	P	R	S
2490	2690	2890	2090	2290	0490	0690	0890	1090	1290
2491	2691	2891	2091	2291	0491	0691	0891	1091	1291
2492	2692	2892	2092	2292	0492	0692	0892	1092	1292
2493	2693	2893	2093	2293	0493	0693	0893	1093	1293
2494	2694	2894	2094	2294	0494	0694	0894	1094	1294
2495	2695	2895	2095	2295	0495	0695	0895	1095	1295
2496	2696	2896	2096	2296	0496	0696	0896	1096	1296
2497	2697	2897	2097	2297	0497	0697	0897	1097	1297
2498	2698	2898	2098	2298	0498	0698	0898	1098	1298
2499	2699	2899	2099	2299	0499	0699	0899	1099	1299
2500	2700	2900	2100	2300	0500	0700	0900	1100	1300
2501	2701	2901	2101	2301	0501	0701	0901	1101	1301
2502	2702	2902	2102	2302	0502	0702	0902	1102	1302
2503	2703	2903	2103	2303	0503	0703	0903	1103	1303
2504	2704	2904	2104	2304	0504	0704	0904	1104	1304
2505	2705	2905	2105	2305	0505	0705	0905	1105	1305
2506	2706	2906	2106	2306	0506	0706	0906	1106	1306
2507	2707	2907	2107	2307	0507	0707	0907	1107	1307
2508	2708	2908	2108	2308	0508	0708	0908	1108	1308
2509	2709	2909	2109	2309	0509	0709	0909	1109	1309
2510	2710	2910	2110	2310	0510	0710	0910	1110	1310
2511	2711	2911	2111	2311	0511	0711	0911	1111	1311
2512	2712	2912	2112	2312	0512	0712	0912	1112	1312
2513	2713	2913	2113	2313	0513	0713	0913	1113	1313
2514	2714	2914	2114	2314	0514	0714	0914	1114	1314
2515	2715	2915	2115	2315	0515	0715	0915	1115	1315
2516	2716	2916	2116	2316	0516	0716	0916	1116	1316
2517	2717	2917	2117	2317	0517	0717	0917	1117	1317
2518	2718	2918	2118	2318	0518	0718	0918	1118	1318
2519	2719	2919	2119	2319	0519	0719	0919	1119	1319
2520	2720	2920	2120	2320	0520	0720	0920	1120	1320
2521	2721	2921	2121	2321	0521	0721	0921	1121	1321
2522	2722	2922	2122	2322	0522	0722	0922	1122	1322
2523	2723	2923	2123	2323	0523	0723	0923	1123	1323
2524	2724	2924	2124	2324	0524	0724	0924	1124	1324
2525	2725	2925	2125	2325	0525	0725	0925	1125	1325
2526	2726	2926	2126	2326	0526	0726	0926	1126	1326
2527	2727	2927	2127	2327	0527	0727	0927	1127	1327
2528	2728	2928	2128	2328	0528	0728	0928	1128	1328
2529	2729	2929	2129	2329	0529	0729	0929	1129	1329
2530	2730	2930	2130	2330	0530	0730	0930	1130	1330
2531	2731	2931	2131	2331	0531	0731	0931	1131	1331
2532	2732	2932	2132	2332	0532	0732	0932	1132	1332
2533	2733	2933	2133	2333	0533	0733	0933	1133	1333
2534	2734	2934	2134	2334	0534	0734	0934	1134	1334
2535	2735	2935	2135	2335	0535	0735	0935	1135	1335
2536	2736	2936	2136	2336	0536	0736	0936	1136	1336

1/ Dash numbers in lower failure rate level columns are substitutable for dash numbers in all higher failure rate level columns.

2/ Revisions C and D only.

MIL-PRF-39014/5F

NOTE: As indicated in table II, CKR12 items previously covered by MIL-C-39014/5A and MIL-C-39014/5 are now replaced by smaller CKR11 items. It is also to be noted that units of 6,800- pF and 10,000-pF capacitance values rated at 100 volts dc at 85°C (50 percent derating for 125°C) are replaced with units rated at 50 volts at both 85°C and 125°C.

EXAMPLE:

MIL-C-39014/5	MIL-C-39014/5A	MIL-C-39014/5B	MIL-C-39014/5C, /5D, /5E and MIL-PRF-39014/5F
M39014/05-0177	M39014/05-0247	M39014/05-0656	M39014/05-2656
100 V (Derated 50% at 125°C)	100 V (Derated 50% at 125°C)	50 V (Not derated at 125°C)	50 V (Not derated at 125°C)

Since all previous failure rate level testing was accomplished at 125°C, no failure rate level was ever established for the 85°C rating. The newer items in regard to FR level testing more closely resemble the items they supersede.

Packaging: Capacitors will be furnished in tape and reel packaging when so specified in the ordering data.

Glass cases shall no longer be supplied to this specification sheet

Substitutability for failure rate levels shall be as follows:

<u>Failure rate level</u>	<u>Will replace failure rate level</u>
S	R, P, M, L
R	P, M, L
P	M, L
M	L

Equivalent NATO styles. The equivalent NATO styles per NATO-NEPR No. 14 shall be as follows:

Military style	NATO style
CKR11	NCC75
CKR12	NCC70
CKR14	NCC72
CKR15	NCC73

Custodians:

Army - CR
Navy - EC
Air Force - 85
NASA - NA

Preparing activity:
Army-CR

Agent:
DLA-CC

Review Activities

Army - AR, AT, AV, CR4, MI
Navy - MC
Air Force - 19, 99
DLA - CC

(Project 5910-1934-03)