



DEFENSE LOGISTICS AGENCY
LAND AND MARITIME
P.O. BOX 3990
COLUMBUS, OHIO 43218-3990

August 1, 2014

MEMORANDUM FOR MILITARY/INDUSTRY DISTRIBUTION

SUBJECT: Initial Draft of MIL-HDBK-1861B with Change 1, "Selection and Use of Electrical and Electronic Assemblies, Boards, Cards, and Associated Hardware";
Project Number 5998-2014-011.

The initial draft for the subject document, dated August 1, 2014, is now available for viewing and downloading from the ASSIST or DLA Land and Maritime-VA Web site:

<https://assist.dla.mil>

or

<http://www.landandmaritime.dla.mil/Programs/MilSpec/ListDocs.aspx?>

The initial draft of the subject document was generated to include the new parts, add new reference documents, and editorial corrections throughout. Highlighting has been used for easy change recognition.

Concurrence or comments are required at this Center within 45 days from the date of this letter (September 15, 2014). Late comments will be held for the next coordination of the document. Comments from military departments must be identified as either "Essential" or "Suggested". Essential comments must be justified with supporting data. Military review activities should forward comments to their custodians of this office, as applicable, in sufficient time to allow for consolidating the department reply.

The point of contact for this document is Mr. David Corbett, DLA Land and Maritime-VAC, Post Office Box 3990, Columbus, OH 43218-3990. Mr. Corbett can also be reached at 614-692-0526 /850-0526, or by facsimile 614-693-1642/850-6939, or by e-mail to: 5998.Documents@dlam.mil.

/ Signed /

THOMAS M. HESS
Chief
Active Devices Branch

cc:
FM
VSS

This draft, dated 01 August 2014, prepared by DLA-CC, has not been approved and is subject to modification. DO NOT USE PRIOR TO APPROVAL. (Project 5998-2014-011). Comments are due no later than 15 September 2014. P.O.C. is David Corbett; telephone 614-692-0526 / electronic-mail: david.corbett@dla.mil

INCH-POUND

MIL-HDBK-1861B

W/CHANGE 1

DRAFT

SUPERSEDING

MIL-HDBK-1861B

18 October 2013

DEPARTMENT OF DEFENSE HANDBOOK

SELECTION AND USE OF ELECTRICAL AND ELECTRONIC ASSEMBLIES, BOARDS, CARDS, AND ASSOCIATED HARDWARE



This handbook is for guidance only. Do not cite this document as a requirement.

MIL-HDBK-1861B
W/CHANGE 1
DRAFT DATE: 01 AUGUST 2014

FOREWORD

1. This handbook is approved for use by all Departments and Agencies of the Department of Defense.
2. This handbook is for guidance only. This handbook cannot be cited as a requirement. If it is, the contractor does not have to comply.
3. This handbook provides a list of electrical and electronic assemblies, boards, cards, and associated hardware for use in the design of Department of Defense equipment. The application information and performance characteristics contained in this handbook are offered for guidance and are not to be considered as binding. Additions to this handbook will be made periodically as the referenced documents are updated.
4. Comments, suggestions, or questions on this document should be addressed to: DLA Land and Maritime, ATTN: VAC, Post Office Box 3990, Columbus, OH 43218-3990 or emailed to 5998.Documents@dla.mil. Since contact information can change, you may want to verify the currency of this address information using the ASSIST Online database at <https://assist.dla.mil>.

MIL-HDBK-1861B

W/CHANGE 1

DRAFT DATE: 01 AUGUST 2014

CONTENTS

<u>PARAGRAPH</u>	<u>PAGE</u>
<u>FOREWORD</u>	ii
1. <u>SCOPE</u>	1
1.1 Scope	1
1.2 Purpose of this handbook.....	1
2. <u>APPLICABLE DOCUMENTS</u>	1
2.1 General.....	1
2.2 Government documents	1
2.2.1 Specifications, standards, and handbooks	1
2.2.2 Other Government documents, drawings, and publications	2
2.2 Non-Government publications	2
2.4 Order of precedence.....	2
3. <u>REQUIREMENTS</u>	3
3.1 Definitions.....	3
3.1.1 Commercial Item Description (CID).....	3
3.1.2 DLA Land and Maritime drawing.....	3
3.1.3 General specification	3
3.1.4 Military Parts Control Advisory Group (MPCAG)	3
3.1.5 Part or Identifying Number (PIN).....	3
3.1.6 Qualified Manufacturer List (QML).....	3
3.1.7 Qualified Products List (QPL)	3
3.2 Other terms and definitions.....	3
4. <u>GENERAL GUIDANCE</u>	3
4.1 Item identification.....	3
4.2 Conflict of requirements.....	3
4.3 Criteria for inclusion in this handbook.....	3
4.4 Order of preference	4
5. <u>DETAILED DESIGN GUIDANCE</u>	4
5.1 Detailed design guidance	4
6. <u>NOTES</u>	4
6.1 Intended use.....	4
6.2 Subject term (key word) listings.....	4
6.3 Tin whisker growth.....	4
6.4 Environmentally preferable material	4
6.5 Changes from previous issue	4
<u>ELECTRICAL AND ELECTRONIC ASSEMBLIES</u>	5
A.1 <u>SCOPE</u>	5
A.1.1 Scope	5
A.2 <u>BACKPLANE ASSEMBLIES</u>	5
A.2.1 Backplane printed wiring assemblies.....	5
A.2.2 Metal electrical backplane assemblies.....	5

MIL-HDBK-1861B

W/CHANGE 1

DRAFT DATE: 01 AUGUST 2014

CONTENTS

<u>PARAGRAPH</u>	<u>PAGE</u>
PRINTED CIRCUIT BOARDS AND PRINTED WIRING BOARDS	6
B.1 <u>SCOPE</u>	6
B.1.1 Scope	6
B.2 <u>PRINTED CIRCUIT AND PRINTED WIRING BOARDS</u>	6
B.2.1 Rigid printed circuit and printed wiring boards	6
B.2.2 Flexible and rigid-flex printed wiring	6
B.2.3 High frequency and high speed printed circuit boards	6
B.3. <u>DESIGN GUIDELINES</u>	6
B.3.1 Printed board size	6
B.3.2 Current-carrying capacity of printed wiring boards	6
CARD GUIDES	7
C.1 <u>SCOPE</u>	7
C.1.1 Scope	7
C.2 <u>APPLICABLE DOCUMENTS</u>	7
C.2.1 Metal card guides	7
C.2.2 Plastic card guides	7
CARD HOLDERS	24
D.1 <u>SCOPE</u>	24
D.1.1 Scope	24
D.2 <u>WEDGE STYLE CARD HOLDERS</u>	24
D.2.1 Three wedge card holders	24
D.2.1 Five wedge card holders	24
EXTRACTORS AND RETAINER-EJECTORS	35
E.1 <u>SCOPE</u>	35
E.1.1 Scope	35
E.2 <u>EXTRACTORS AND RETAINER-EJECTORS</u>	35
E.2.1 Metal extractors	35
E.2.2 Heavy duty metal extractors	35
E.2.3 Retainer-ejectors	35
<u>FIGURES</u>	
C-1 Card guides, metal, medium profile, with center mounting hole	14
D-1 Relaxed and expanded dimensions, lever actuated card holders	25
D-2 Relaxed and expanded dimensions, ejection action card holders	26
D-3 Relaxed and expanded dimensions, screw actuated card holders	27
D-4 Card holders, 5 body wedge retainer, various body sizes	32

MIL-HDBK-1861B

W/CHANGE 1

DRAFT DATE: 01 AUGUST 2014

CONTENTS

<u>TABLES</u>	<u>PAGE</u>	
C-I	Card guides, metal, with 2 offset mounting holes	8
C-II	Card guides, metal, with 2 center mounting holes or studs	10
C-III	Card guides, metal, with 3 offset mounting holes	12
C-IV	Card guides, metal, medium profile, with center mounting holes	14
C-V	Card guides, metal, with 3 center mounting holes or studs	15
C-VI	Card guides, metal, slot width .0625 inch (1.59 mm)	17
C-VII	Card guides, metal, slot width .0937 inch (2.38 mm)	18
C-VIII	Card guides, metal, slot width .125 inch (3.18 mm)	19
C-IX	Card guides, metal, screw actuated, slot width .025 to .079 inch (0.64 to 2.01 mm)	20
C-X	Card guides, metal, screw actuated, slot width .080 to .145 inch (2.03 to 3.68 mm)	21
C-XI	Card guides, metal, lever actuated, slot width .211 inch (5.36 mm) + PWB thickness	22
C-XII	Card guides, plastic, pylon mounted, shallow slot, slot width .078 inch (1.98 mm)	22
C-XIII	Card guides, plastic, pylon mounted, deep slot, slot width .080 to .132 inch (2.0 to 3.4 mm)	23
C-XIV	Card guides, plastic, slot width .050 to .100 inch (1.27 to 2.54 mm)	23
C-XV	Card guide, plastic, fastener mounted, shallow slot, slot width .070 inch (1.78 mm)	23
D-I	Card holders, 3 body wedge retainers, with lever action locking	25
D-II	Card holders, 3 body wedge retainers, with ejection action	26
D-III	Card holders, 3 body wedge retainer, .225 by .260 inch (5.72 x 6.61 mm) body size	27
D-IV	Card holders, 3 body wedge retainer, .220 by .220 inch (5.59 x 5.9 mm) body size	28
D-V	Card holders, 3 body wedge retainer, .240 by .180 inch (6.1 x 4.57 mm) body size	29
D-VI	Card holders, 3 body wedge retainer, .375 by .375 inch (9.53 x 9.53 mm) body size	29
D-VII	Card holders, 3 body wedge retainer, .260 by .260 inch (6.61 x 6.61 mm) body size	30
D-VIII	Card holders, 3 body wedge retainer, .500 by .450 inch (12.7 x 11.43 mm) body size	30
D-IX	Card holders, 3 body wedge retainer, various body sizes	30
D-X	Card holders, 5 body wedge retainer, .250 by .260 (6.35 x 6.61 mm) body size	31
D-XI	Card holders, 5 body wedge retainer, various body sizes	31
D-XII	Card holders, 5 body wedge retainer, various body sizes	32
E-I	Extractor, electrical card, metal, without locking tab	35
E-II	Extractor, electrical card, metal, with locking tab	36
E-III	Extractor, electrical card, metal, heavy duty	37
E-IV	Retainer-ejector, electrical card, plastic	38

APPENDIX

A.	ELECTRICAL AND ELECTRONIC ASSEMBLIES	5
B.	PRINTED CIRCUIT BOARDS AND PRINTED WIRING BOARDS	6
C.	CARD GUIDES	7
D.	CARD HOLDERS	24
E.	EXTRACTORS AND RETAINER-EJECTORS	35

MIL-HDBK-1861B
W/CHANGE 1
DRAFT DATE: 01 AUGUST 2014

This page intentionally left blank.

MIL-HDBK-1861B
W/CHANGE 1
DRAFT DATE: 01 AUGUST 2014

1. SCOPE

1.1 Scope. This handbook is for guidance only and cannot be cited as a requirement. If it is, the contractor does not have to comply. This handbook consists of the following:

- a. Selected standard items, for use in the design and manufacturer of Department of Defense equipment under the jurisdiction of the Department of Defense.
- b. Guides for the choice and application of items for use in Department of Defense equipment.

1.2 Purpose of this handbook.

- a. To provide the equipment designer with a selection of standard items for use in most Department of Defense applications.
- b. To control and minimize the variety of items used in Department of Defense equipment in order to facilitate logistic support of equipment in the field.
- c. To outline criteria pertaining to the use, choice, and application of items in Department of Defense equipment.

2. APPLICABLE DOCUMENTS

2.1 General. The documents listed below are not necessarily all of the documents referenced herein, but are those needed to understand the information provided by this handbook.

2.2 Government documents.

2.2.1 Specifications, standards, and handbooks. The following specifications, standards, and handbooks form a part of this document to the extent specified herein.

DEPARTMENT OF DEFENSE SPECIFICATIONS

- | | | |
|---------------|---|---|
| MIL-A-24741 | - | Assemblies, Metal Electrical Backplane, One and Two Layer, General Specification for. |
| MIL-A-28870 | - | Assemblies, Electrical Backplane, Printed Wiring, General Specification for. |
| MIL-PRF-31032 | - | Printed Circuit Board/Printed Wiring Board, General Specification for. |
| A-A-55563 | - | Holder, Electrical Card, Metal Card Guide, General Requirements for. |
| A-A-59590 | - | Holder, Electrical Card, Wedge Retainers, 3 Piece, Screw Actuate Drive, General Requirements for. |
| A-A-59789 | - | Holder, Electrical Card, Wedge Retainers, 5 Piece, For Cold Plate Applications, General Requirements for. |
| A-A-59812 | - | Holder, Electrical Card, Metal Card Guide, Multiple Piece, General Requirements for. |
| A-A-59832 | - | Extractor, Electrical Card, Metal, General Requirements for. |
| A-A-59950 | - | Holder, Electrical Card, Wedge Retainers, 7 Piece, For Cold Plate Applications, General Requirements for. |

DEPARTMENT OF DEFENSE STANDARDS

- | | | |
|--------------|---|---|
| MIL-STD-2119 | - | Design Requirements for Printed-Wiring Electrical Backplane Assemblies. |
| MIL-STD-2198 | - | Design Requirements for Metal Electrical Backplane Assemblies. |

(Copies of these documents are available online at <http://quicksearch.dla.mil> or <https://assist.dla.mil> or from the Standardization Document Order Desk, 700 Robbins Avenue, Building 4D, Philadelphia, PA 19111-5094.)

MIL-HDBK-1861B

W/CHANGE 1

DRAFT DATE: 01 AUGUST 2014

2.2.2 Other Government documents, drawings, and publications. The following other Government documents, drawings, and publications form a part of this document to the extent specified herein.

DRAWINGS

- 83023 – Retainer–Ejector, Electrical Card, Plastic.
- 84006 – Holder, Electrical Card, Card Guide, Shallow Channel, Plastic.
- 84101 – Holder, Electrical Card, Card Guide, Deep Channel, Plastic.
- 84103 – Holder, Electrical Card, Wedge Retainer, 3–Piece, Screw Actuated.
- 84168 – Holder, Electrical Card, Card Guide–Retainer, Lever Actuated, Metal.
- 84191 – Extractor, Electrical Card, Metal.
- 85033 – Holder, Electrical Card, Metal Card Guide, Zero Insertion Force.

- 85034 – Holder, Electrical Card, Metal, Card Guide.
- 85067 – Holder, Electrical Card, Card Guide, Non–Conductive Plastic, Anti–vibration.
- 85068 – Holder, Electrical Card, Card Guide, Plastic, Fastener Mounted.
- 86092 – Holder, Electrical Card, Card Guide–Retainer, Lever Actuated, Metal.
- 88052 – Holder, Electrical Card, Card Guide–Retainer, Screw Actuated, Metal.
- 89024 – Holder, Electrical Card, Wedge Retainer, 5–Piece, .250 Inch By .260 Inch Body Size.
- 89029 – Holder, Electrical Card, Card Guide, Conductive Plastic, Anti–vibration.
- 89064 – Holder, Electrical Card, Wedge Retainer, 5–Piece, .225 Inch by .225 Inch and .225 Inch By .260 Inch Body Size.

(Copies of these documents are available online at <http://www.landandmaritime.dla.mil/Programs/MilSpec> or from the DLA Land and Maritime, ATTN: VT, 3990 East Broad Street, Columbus, OH 43218–3990)

2.3 Non–Government publications. The following documents form a part of this document to the extent specified herein.

IPC – ASSOCIATION CONNECTING ELECTRONICS INDUSTRIES (IPC)

- IPC–2141 – Design Guide for High-Speed Controlled Impedance Circuit Boards.
- IPC–2152 – Design Standard for Determining Current-Carrying Capacity in Printed Board Design.
- IPC–2221 – Generic Standard on Printed Board Design.
- IPC–2223 – Sectional Design Standard for Flexible Printed Boards.
- IPC–2226 – Sectional Design Standard for High Density Interconnect (HDI) Printed Boards.
- IPC–2251 – Design Guide for the Packaging of High Speed Electronic Circuits.
- IPC–2615 – Printed Board Dimensions and Tolerances.
- IPC–T–50 – Terms and Definitions for Interconnecting and Packaging Electronic Circuits.
- IPC–D–322 – Guidelines for Selecting Printed Wiring Board Sizes Using Standard Panel Sizes.

(Application for copies should be addressed to IPC – Association Connecting Electronics Industries, 3000 Lakeside Drive, Suite 309 S, Bannockburn, IL 60015–1249 or <http://www.ipc.org>.)

2.4 Order of precedence. Unless otherwise noted herein or in the contract, in the event of a conflict between the text of this document and the references cited herein, the text of this document takes precedence. Nothing in this document, however, supersedes applicable laws and regulations unless a specific exemption has been obtained.

MIL-HDBK-1861B

W/CHANGE 1

DRAFT DATE: 01 AUGUST 2014

3. DEFINITIONS

3.1 Definitions.

3.1.1 Commercial Item Description (CID). A simplified product description that describes, by functional or performance characteristics, the available, acceptable commercial products that will satisfy the Government's needs.

3.1.2 DLA Land and Maritime drawing. A standardization document developed by, and available from, the Defense Supply Center, Columbus.

3.1.3 General specification. A general specification is prepared in the six-section format and covers requirements and test procedures that are common to a group of parts, materials, or equipment. It is used with specification sheets and master drawings; e.g., [MIL-PRF-31032](#) for printed boards.

3.1.4 Military Parts Control Advisory Group (MPCAG). A DoD organization which provides advice to the Department of Defense departments and contractors on the selection of parts in assigned commodity classes, and collects data on nonstandard parts for developing and updating Department of Defense specifications and standards.

3.1.5 Part or Identifying Number (PIN). Formerly part number (P/N).

3.1.6 Qualified Manufacturer List (QML). A document maintained by the Government qualifying activity which lists vendors who are officially approved by the Government.

3.1.7 Qualified Products List (QPL). A document maintained by the Government qualifying activity which lists vendors whose products are officially approved by the Government.

3.2 Other terms and definitions. Other terms and definitions may be found in IPC-T-50.

4. GENERAL GUIDANCE

4.1 Item identification. PIN's and type designations are used to identify the items listed in this handbook and in the individual specifications.

4.2 Conflict of requirements. In the event of conflict between the technical requirements of items described in this handbook and the applicable specification or DLA Land and Maritime drawing, the specification or DLA Land and Maritime drawing should govern.

4.3 Criteria for inclusion in this handbook. The criteria for inclusion in this handbook are as follows:

- a. The items are classified in FSC 5998.
- b. The items are for general use in DoD equipment.
- c. The items are covered by CIDs, DoD specifications, or DLA Land and Maritime drawings.
- d. The items are available from at least one source.
- e. The items are to be used for design purposes in new equipment.

MIL-HDBK-1861B

W/CHANGE 1

DRAFT DATE: 01 AUGUST 2014

4.4 Order of preference. The order of preference is as follows:

- a. Non-Government Standard (NGS) parts.
- b. CID parts.
- c. DoD QML specification parts.
- d. DoD QPL specification parts.
- e. DoD drawing parts.
- f. Other parts.

5. DETAILED DESIGN GUIDANCE

5.1 Detailed design guidance. The detailed guidance for electrical and electronic assemblies, boards, cards, and associated hardware are contained in the applicable appendices of this handbook.

6. NOTES

6.1 Intended use. The purpose of this handbook is to provide standardized guidance in the preparation of DoD standards, handbooks, drawings, and bulletins to ensure the inclusion of data and descriptions essential to the selection and application of items and processes, and to aid in the use and analysis of DoD standardization documents.

6.2 Subject term (key word) listings.

Backplane assembly
Circuit card assembly
Extractor, electrical card
Holder, electrical card
Printed circuit board
Printed wiring board
Retainer-ejector, electrical card

6.3 Tin whisker growth. The use of alloys with tin content greater than 97 percent, by mass, may exhibit tin whisker growth problems after manufacture. Tin whiskers may occur anytime from a day to years after manufacture and can develop under typical operating conditions, on products that use such materials. Conformal coatings applied over top of a whisker-prone surface will not prevent the formation of tin whiskers. Alloys of 3 percent lead, by mass, have shown to inhibit the growth of tin whiskers. For additional information on this matter, refer to ASTM-B545 (Standard Specification for Electrodeposited Coatings of Tin).

6.4 Environmentally preferable material. Environmentally preferable materials should be used to the maximum extent possible to meet the requirements of this specification. As of the dating of this document, the U.S. Environmental Protection Agency (EPA) is focusing efforts on reducing 31 priority chemicals. The list of chemicals and additional information is available on their website <http://www.epa.gov/osw/hazard/wastemin/priority.htm>. Use of these materials should be minimized or eliminated unless needed to meet the requirements specified herein

6.5 Changes from previous issue. Marginal notations are not used in this revision to identify changes with respect to the previous issue due to the extensiveness of the changes.

MIL-HDBK-1861B

W/CHANGE 1

DRAFT DATE: 01 AUGUST 2014

APPENDIX A

ELECTRICAL AND ELECTRONIC ASSEMBLIES

A.1 SCOPE

A.1.1 Scope. This appendix covers active DoD specifications for electrical and electronic assemblies.

A.2 BACKPLANE ASSEMBLIES.

A.2.1 Backplane printed wiring assemblies. Electrical backplane printed wiring assemblies conformance information can be found in [MIL-A-28870](#) and design information can be found in [MIL-STD-2119](#).

A.2.2 Metal electrical backplane assemblies. Metal electrical backplane assemblies conformance information can be found in [MIL-A-24741](#) and design information can be found in [MIL-STD-2198](#).

MIL-HDBK-1861B

W/CHANGE 1

DRAFT DATE: 01 AUGUST 2014

APPENDIX B

PRINTED CIRCUIT BOARDS AND PRINTED WIRING BOARDS

B.1 SCOPE

B.1.1 Scope. This appendix covers active DoD specifications used for printed circuit boards and printed wiring boards.

B.2 PRINTED CIRCUIT AND PRINTED WIRING BOARDS

B.2.1 Rigid printed circuit and printed wiring boards. Rigid printed circuit and printed wiring boards for single-sided, double-sided, and multilayer printed wiring performance and verification information can be found in [MIL-PRF-31032](#). The design of rigid printed boards are detailed in IPC-2221 and IPC-2226.

B.2.2 Flexible and rigid-flex printed wiring. Flexible and rigid-flex printed wiring performance and verification information can be found in [MIL-PRF-31032](#). The design of flexible and rigid-flex printed wiring boards are detailed in IPC-2221 and IPC-2223.

B.2.3 High frequency and high speed printed circuit boards. The performance and verification information for printed circuit boards designed for high frequency and high speed applications can be found in [MIL-PRF-31032](#). The design of high frequency and high speed printed circuit boards are detailed in IPC-2221, [IPC-2141](#), [IPC-2152](#) and [IPC-2251](#).

B.3 DESIGN GUIDELINES

B.3.1 Printed board size. Whenever cost and technical requirements permit, preferred rigid printed board sizes should be used. These printed board sizes will facilitate the development and use of standardized insertion and extraction tools. The preferred printed board sizes, are detailed in IPC-2221. Additional guidelines for selecting printed board sizes can be found in IPC-D-322. **Printed board dimensions and tolerances should be in accordance with IPC-2615.**

B.3.2 Current-carrying capacity of printed wiring boards. The thickness and width of conductors on the finished printed board should be determined on the basis of the signal characteristics, current carrying capacity required and the maximum allowable temperature rise. IPC-2152 should be used for determining the current carrying capacity and sizes of etched copper conductors for various temperature rises above ambient temperature.

MIL-HDBK-1861B

W/CHANGE 1

DRAFT DATE: 01 AUGUST 2014

APPENDIX C

CARD GUIDES

C.1. SCOPE

C.1.1 Scope. This appendix covers commercial item descriptions and drawings used for card guides. The parts described by these commercial item descriptions and drawings are used to supplement Military specifications.

C.2. ELECTRICAL CARD GUIDES

C.2.1 Metal card guides. Metal card guide selections are found in [tables C-I](#) through [C-XI](#).

C.2.2 Plastic card guides. Plastic card guide selections are found in [tables C-XII](#) through [C-XV](#).

MIL-HDBK-1861B

W/CHANGE 1

DRAFT DATE: 01 AUGUST 2014

APPENDIX C

TABLE C-I. Card guides, metal, with 2 offset mounting holes.

Overall length		Style	CID classification PIN 1/
Inch	mm		
1.4	35	Low profile, open ended w/flared entry	AA55563/19@A14&
		Low profile, open ended wo/flared entry	AA55563/20@A14&
2.0	51	Open ended, w/flared entry	AA55563/01 @A20&
		Open ended, wo/flared entry	AA55563/02 @A20&
		Closed ended, w/flared entry	AA55563/03 @A20&
		Closed ended, wo/flared entry	AA55563/04 @A20&
		Low profile, open ended w/flared entry	AA55563/05 @A20&, /13 @20&
		Low profile, open ended wo/flared entry	AA55563/06 @A20&, /14 @20&
2.5	64	Open ended, w/flared entry	AA55563/01 @A25&
		Open ended, wo/flared entry	AA55563/02 @A25&
		Closed ended, w/flared entry	AA55563/03 @A25&
		Closed ended, wo/flared entry	AA55563/04 @A25&
		Low profile, open ended w/flared entry	AA55563/05 @A25&, /13 @25&, /17 @25&
		Low profile, open ended wo/flared entry	AA55563/06 @A25&, /14 @25&
3.0	76	Open ended, w/flared entry	AA55563/01 @A30&
		Open ended, wo/flared entry	AA55563/02 @A30&
		Closed ended, w/flared entry	AA55563/03 @A30&
		Closed ended, wo/flared entry	AA55563/04 @A30&
		Low profile, open ended w/flared entry	AA55563/05 @A30&, /13 @30&, /17 @30&
		Low profile, open ended wo/flared entry	AA55563/06 @A30&, /14 @30&
3.5	89	Open ended, w/flared entry	AA55563/01 @A35&
		Open ended, wo/flared entry	AA55563/02 @A35&
		Closed ended, w/flared entry	AA55563/03 @A35&
		Closed ended, wo/flared entry	AA55563/04 @A35&
		Low profile, open ended w/flared entry	AA55563/05 @A35&, /13 @35&, /17 @35&
		Low profile, open ended wo/flared entry	AA55563/06 @A35&, /14 @35&
4.0	102	Open ended, w/flared entry	AA55563/01 @A40&
		Open ended, wo/flared entry	AA55563/02 @A40&
		Closed ended, w/flared entry	AA55563/03 @A40&
		Closed ended, wo/flared entry	AA55563/04 @A40&
		Low profile, open ended w/flared entry	AA55563/05 @A40&, /13 @40&, /17 @40&
		Low profile, open ended wo/flared entry	AA55563/06 @A40&, /14 @40&
4.5	114	Open ended, w/flared entry	AA55563/01 @A45&
		Open ended, wo/flared entry	AA55563/02 @A45&
		Closed ended, w/flared entry	AA55563/03 @A45&
		Closed ended, wo/flared entry	AA55563/04 @A45&
		Low profile, open ended w/flared entry	AA55563/05 @A45&, /13 @45&, /17 @45&
		Low profile, open ended wo/flared entry	AA55563/06 @A45&, /14 @45&

See footnote at end of table.

MIL-HDBK-1861B

W/CHANGE 1

DRAFT DATE: 01 AUGUST 2014

APPENDIX C

TABLE C-I. Card guides, metal, with 2 offset mounting holes – Continued.

Overall length		Style	CID classification PIN ^{1/}
Inch	mm		
5.0	127	Open ended, w/flared entry	AA55563/01 @A50&
		Open ended, wo/flared entry	AA55563/02 @A50&
		Closed ended, w/flared entry	AA55563/03 @A50&
		Closed ended, wo/flared entry	AA55563/04 @A50&
		Low profile, open ended w/flared entry	AA55563/05 @A50&, /13 @50&, /17 @50&
		Low profile, open ended wo/flared entry	AA55563/06 @A50&, /14 @50&
5.5	140	Open ended, w/flared entry	AA55563/01 @A55&
		Open ended, wo/flared entry	AA55563/02 @A55&
		Closed ended, w/flared entry	AA55563/03 @A55&
		Closed ended, wo/flared entry	AA55563/04 @A55&
		Low profile, open ended w/flared entry	AA55563/05 @A55&, /13 @55&, /17 @55&
		Low profile, open ended wo/flared entry	AA55563/06 @A55&, /14 @55&
6.0	152	Open ended, w/flared entry	AA55563/01 @A60&
		Open ended, wo/flared entry	AA55563/02 @A60&
		Closed ended, w/flared entry	AA55563/03 @A60&
		Closed ended, wo/flared entry	AA55563/04 @A60&
		Low profile, open ended w/flared entry	AA55563/05 @A60&, /13 @60&, /17 @60&
		Low profile, open ended wo/flared entry	AA55563/06 @A60&, /14 @60&
6.5	165	Open ended, w/flared entry	AA55563/01 @A20&
		Open ended, wo/flared entry	AA55563/02 @A20&
		Closed ended, w/flared entry	AA55563/03 @A20&
		Closed ended, wo/flared entry	AA55563/04 @A20&
		Low profile, open ended w/flared entry	AA55563/05 @A20&, /13 @20&
		Low profile, open ended wo/flared entry	AA55563/06 @A20&, /14 @20&
7.0	178	Open ended, w/flared entry	AA55563/01 @A70&
		Open ended, wo/flared entry	AA55563/02 @A70&
		Closed ended, w/flared entry	AA55563/03 @A70&
		Closed ended, wo/flared entry	AA55563/04 @A70&
		Low profile, open ended w/flared entry	AA55563/05 @A70&, /13 @70&
		Low profile, open ended wo/flared entry	AA55563/06 @A70&, /14 @70&
7.5	191	Open ended, w/flared entry	AA55563/01 @A75&
		Open ended, wo/flared entry	AA55563/02 @A75&
		Closed ended, w/flared entry	AA55563/03 @A75&
		Closed ended, wo/flared entry	AA55563/04 @A75&
		Low profile, open ended w/flared entry	AA55563/05 @A75&, /13 @75&
		Low profile, open ended wo/flared entry	AA55563/06 @A75&, /14 @75&

^{1/} The at sign (@) represents one of the four materials available, the letter "A" represents one of three materials available, and the ampersands (&) represents the one of the 11 protective finishes available.

MIL-HDBK-1861B

W/CHANGE 1

DRAFT DATE: 01 AUGUST 2014

APPENDIX C

TABLE C-II. Card guides, metal, with 2 center mounting holes or studs.

Overall length		Style	CID classification PIN 1/
Inch	mm		
2.0	51	Hole mounted, left hand facing	AA59812/01L20\$&; AA59812/02L20\$&;
		Hole mounted, right hand facing	AA59812/01R20\$&; AA59812/02L20\$&;
		Stud mounted, left hand facing	AA59812/01S20\$&; AA59812/02L20\$&;
		Stud mounted, right hand facing	AA59812/01T20\$&; AA59812/02L20\$&;
2.5	64	Hole mounted, left hand facing	AA59812/01L25\$&; AA59812/02L25\$&;
		Hole mounted, right hand facing	AA59812/01R25\$&; AA59812/02L25\$&;
		Stud mounted, left hand facing	AA59812/01S25\$&; AA59812/02L25\$&;
		Stud mounted, right hand facing	AA59812/01T25\$&; AA59812/02L25\$&;
3.0	76	Hole mounted, left hand facing	AA59812/01L30\$&; AA59812/02L30\$&;
		Hole mounted, right hand facing	AA59812/01R30\$&; AA59812/02L30\$&;
		Stud mounted, left hand facing	AA59812/01S30\$&; AA59812/02L30\$&;
		Stud mounted, right hand facing	AA59812/01T30\$&; AA59812/02L30\$&;
3.5	89	Hole mounted, left hand facing	AA59812/01L35\$&; AA59812/02L35\$&;
		Hole mounted, right hand facing	AA59812/01R35\$&; AA59812/02L35\$&;
		Stud mounted, left hand facing	AA59812/01S35\$&; AA59812/02L35\$&;
		Stud mounted, right hand facing	AA59812/01T35\$&; AA59812/02L35\$&;
4.0	102	Hole mounted, left hand facing	AA59812/01L40\$&; AA59812/02L40\$&;
		Hole mounted, right hand facing	AA59812/01R40\$&; AA59812/02L40\$&;
		Stud mounted, left hand facing	AA59812/01S40\$&; AA59812/02L40\$&;
		Stud mounted, right hand facing	AA59812/01T40\$&; AA59812/02L40\$&;
4.5	114	Hole mounted, left hand facing	AA59812/01L45\$&; AA59812/02L45\$&;
		Hole mounted, right hand facing	AA59812/01R45\$&; AA59812/02L45\$&;
		Stud mounted, left hand facing	AA59812/01S45\$&; AA59812/02L45\$&;
		Stud mounted, right hand facing	AA59812/01T45\$&; AA59812/02L45\$&;
5.0	127	Hole mounted, left hand facing	AA59812/01L50\$&; AA59812/02L50\$&;
		Hole mounted, right hand facing	AA59812/01R50\$&; AA59812/02L50\$&;
		Stud mounted, left hand facing	AA59812/01S50\$&; AA59812/02L50\$&;
		Stud mounted, right hand facing	AA59812/01T50\$&; AA59812/02L50\$&;
5.5	140	Hole mounted, left hand facing	AA59812/01L55\$&; AA59812/02L55\$&;
		Hole mounted, right hand facing	AA59812/01R55\$&; AA59812/02L55\$&;
		Stud mounted, left hand facing	AA59812/01S55\$&; AA59812/02L55\$&;
		Stud mounted, right hand facing	AA59812/01T55\$&; AA59812/02L55\$&;
6.0	152	Hole mounted, left hand facing	AA59812/01L60\$&; AA59812/02L60\$&;
		Hole mounted, right hand facing	AA59812/01R60\$&; AA59812/02L60\$&;
		Stud mounted, left hand facing	AA59812/01S60\$&; AA59812/02L60\$&;
		Stud mounted, right hand facing	AA59812/01T60\$&; AA59812/02L60\$&;

See footnote at end of table.

MIL-HDBK-1861B

W/CHANGE 1

DRAFT DATE: 01 AUGUST 2014

APPENDIX C

TABLE C-II. Card guides, metal, with 2 center mounting holes or studs – Continued.

Overall length		Style	CID classification PIN ^{1/}
Inch	mm		
2.0	51	Hole mounted, left hand facing	AA59812/03L20\$&; AA59812/04L20\$&;
		Hole mounted, right hand facing	AA59812/03R20\$&; AA59812/04L20\$&;
		Swag nut mounted, left hand facing	AA59812/03S20\$&; AA59812/04L20\$&;
		Swag nut mounted, right hand facing	AA59812/03T20\$&; AA59812/04L20\$&;
2.5	64	Hole mounted, left hand facing	AA59812/03L25\$&; AA59812/04L25\$&;
		Hole mounted, right hand facing	AA59812/03R25\$&; AA59812/04L25\$&;
		Swag nut mounted, left hand facing	AA59812/03S25\$&; AA59812/04L25\$&;
		Swag nut mounted, right hand facing	AA59812/03T25\$&; AA59812/04L25\$&;
3.0	76	Hole mounted, left hand facing	AA59812/03L30\$&; AA59812/04L30\$&;
		Hole mounted, right hand facing	AA59812/03R30\$&; AA59812/04L30\$&;
		Swag nut mounted, left hand facing	AA59812/03S30\$&; AA59812/04L30\$&;
		Swag nut mounted, right hand facing	AA59812/03T30\$&; AA59812/04L30\$&;
3.5	89	Hole mounted, left hand facing	AA59812/03L35\$&; AA59812/04L35\$&;
		Hole mounted, right hand facing	AA59812/03R35\$&; AA59812/04L35\$&;
		Swag nut mounted, left hand facing	AA59812/03S35\$&; AA59812/04L35\$&;
		Swag nut mounted, right hand facing	AA59812/03T35\$&; AA59812/04L35\$&;
4.0	102	Hole mounted, left hand facing	AA59812/03L40\$&; AA59812/04L40\$&;
		Hole mounted, right hand facing	AA59812/03R40\$&; AA59812/04L40\$&;
		Swag nut mounted, left hand facing	AA59812/03S40\$&; AA59812/04L40\$&;
		Swag nut mounted, right hand facing	AA59812/03T40\$&; AA59812/04L40\$&;
4.5	114	Hole mounted, left hand facing	AA59812/03L45\$&; AA59812/04L45\$&;
		Hole mounted, right hand facing	AA59812/03R45\$&; AA59812/04L45\$&;
		Swag nut mounted, left hand facing	AA59812/03S45\$&; AA59812/04L45\$&;
		Swag nut mounted, right hand facing	AA59812/03T45\$&; AA59812/04L45\$&;
5.0	127	Hole mounted, left hand facing	AA59812/03L50\$&; AA59812/04L50\$&;
		Hole mounted, right hand facing	AA59812/03R50\$&; AA59812/04L50\$&;
		Swag nut mounted, left hand facing	AA59812/03S50\$&; AA59812/04L50\$&;
		Swag nut mounted, right hand facing	AA59812/03T50\$&; AA59812/04L50\$&;
5.5	140	Hole mounted, left hand facing	AA59812/03L55\$&; AA59812/04L55\$&;
		Hole mounted, right hand facing	AA59812/03R55\$&; AA59812/04L55\$&;
		Swag nut mounted, left hand facing	AA59812/03S55\$&; AA59812/04L55\$&;
		Swag nut mounted, right hand facing	AA59812/03T55\$&; AA59812/04L55\$&;
6.0	152	Hole mounted, left hand facing	AA59812/03L60\$&; AA59812/04L60\$&;
		Hole mounted, right hand facing	AA59812/03R60\$&; AA59812/04L60\$&;
		Swag nut mounted, left hand facing	AA59812/03S60\$&; AA59812/04L60\$&;
		Swag nut mounted, right hand facing	AA59812/03T60\$&; AA59812/04L60\$&;

^{1/} The dollar sign (\$) represents one of the materials available and the ampersands (&) represents the one of the protective finishes available.

MIL-HDBK-1861B

W/CHANGE 1

DRAFT DATE: 01 AUGUST 2014

APPENDIX C

TABLE C-III. Card guides, metal, with 3 offset mounting holes.

Overall length		Style	CID classification PIN 1/
Inch	mm		
2.0	51	Open ended, w/flared entry	AA55563/07 @A20&
		Open ended, wo/flared entry	AA55563/08 @A20&
		Closed ended, w/flared entry	AA55563/09 @A20&, /22 @A20&
		Closed ended, wo/flared entry	AA55563/10 @A20&, /21 @A20&
		Low profile, open ended w/flared entry	AA55563/11 @A20&, /15 @20&
		Low profile, open ended wo/flared entry	AA55563/12 @A20&, /16 @20&
2.5	64	Open ended, w/flared entry	AA55563/07 @A25&
		Open ended, wo/flared entry	AA55563/08 @A25&
		Closed ended, w/flared entry	AA55563/09 @A25&, /22 @A25&
		Closed ended, wo/flared entry	AA55563/10 @A25&, /21 @A25&
		Low profile, open ended w/flared entry	AA55563/11 @A25&, /15 @25&, /18 @25&
		Low profile, open ended wo/flared entry	AA55563/12 @A25&, /16 @25&
3.0	76	Open ended, w/flared entry	AA55563/07 @A30&
		Open ended, wo/flared entry	AA55563/08 @A30&
		Closed ended, w/flared entry	AA55563/09 @A30&, /22 @A30&
		Closed ended, wo/flared entry	AA55563/10 @A30&, /21 @A30&
		Low profile, open ended w/flared entry	AA55563/11 @A30&, /15 @30&, /18 @30&
		Low profile, open ended wo/flared entry	AA55563/12 @A30&, /16 @30&
3.5	89	Open ended, w/flared entry	AA55563/07 @A35&
		Open ended, wo/flared entry	AA55563/08 @A35&
		Closed ended, w/flared entry	AA55563/09 @A35&, /22 @A35&
		Closed ended, wo/flared entry	AA55563/10 @A35&, /21 @A35&
		Low profile, open ended w/flared entry	AA55563/11 @A35&, /15 @35&, /18 @35&
		Low profile, open ended wo/flared entry	AA55563/12 @A35&, /16 @35&
4.0	102	Open ended, w/flared entry	AA55563/07 @A40&
		Open ended, wo/flared entry	AA55563/08 @A40&
		Closed ended, w/flared entry	AA55563/09 @A40&, /22 @A40&
		Closed ended, wo/flared entry	AA55563/10 @A40&, /21 @A40&
		Low profile, open ended w/flared entry	AA55563/11 @A40&, /15 @40&, /18 @40&
		Low profile, open ended wo/flared entry	AA55563/12 @A40&, /16 @40&
4.5	114	Open ended, w/flared entry	AA55563/01 @A45&
		Open ended, wo/flared entry	AA55563/02 @A45&
		Closed ended, w/flared entry	AA55563/03 @A45&, /22 @A45&
		Closed ended, wo/flared entry	AA55563/04 @A45&, /21 @A45&
		Low profile, open ended w/flared entry	AA55563/05 @A45&, /15 @45&, /18 @45&
		Low profile, open ended wo/flared entry	AA55563/06 @A45&, /16 @45&

See footnote at end of table.

MIL-HDBK-1861B

W/CHANGE 1

DRAFT DATE: 01 AUGUST 2014

APPENDIX C

TABLE C-III. Card guides, metal, with 3 offset mounting holes – Continued.

Overall length		Style	CID classification PIN ^{1/}
Inch	mm		
5.0	127	Open ended, w/flared entry	AA55563/01 @A50&
		Open ended, wo/flared entry	AA55563/02 @A50&
		Closed ended, w/flared entry	AA55563/03 @A50&, /22 @A50&
		Closed ended, wo/flared entry	AA55563/04 @A50&, /21 @A50&
		Low profile, open ended w/flared entry	AA55563/05 @A50&, /15 @50&, /18 @50&
		Low profile, open ended wo/flared entry	AA55563/06 @A50&, /16 @50&
5.5	140	Open ended, w/flared entry	AA55563/01 @A55&
		Open ended, wo/flared entry	AA55563/02 @A55&
		Closed ended, w/flared entry	AA55563/03 @A55&, /22 @A55&
		Closed ended, wo/flared entry	AA55563/04 @A55&, /21 @A55&
		Low profile, open ended w/flared entry	AA55563/05 @A55&, /15 @55&, /18 @55&
		Low profile, open ended wo/flared entry	AA55563/06 @A55&, /16 @55&
6.0	152	Open ended, w/flared entry	AA55563/01 @A60&
		Open ended, wo/flared entry	AA55563/02 @A60&
		Closed ended, w/flared entry	AA55563/03 @A60&, /22 @A60&
		Closed ended, wo/flared entry	AA55563/04 @A60&, /21 @A60&
		Low profile, open ended w/flared entry	AA55563/05 @A60&, /15 @60&, /18 @60&
		Low profile, open ended wo/flared entry	AA55563/06 @A60&, /16 @60&
6.5	165	Open ended, w/flared entry	AA55563/07 @A65&
		Open ended, wo/flared entry	AA55563/08 @A65&
		Closed ended, w/flared entry	AA55563/09 @A65&
		Closed ended, wo/flared entry	AA55563/10 @A65&
		Low profile, open ended w/flared entry	AA55563/11 @A65&, /15 @65&
		Low profile, open ended wo/flared entry	AA55563/12 @A65&, /16 @65&
7.0	178	Open ended, w/flared entry	AA55563/07 @A70&
		Open ended, wo/flared entry	AA55563/08 @A70&
		Closed ended, w/flared entry	AA55563/09 @A70&
		Closed ended, wo/flared entry	AA55563/10 @A70&
		Low profile, open ended w/flared entry	AA55563/11 @A70&, /15 @70&, /18 @70&
		Low profile, open ended wo/flared entry	AA55563/12 @A70&, /16 @70&
7.5	191	Open ended, w/flared entry	AA55563/07 @A75&
		Open ended, wo/flared entry	AA55563/08 @A75&
		Closed ended, w/flared entry	AA55563/09 @A75&
		Closed ended, wo/flared entry	AA55563/10 @A75&
		Low profile, open ended w/flared entry	AA55563/11 @A75&, /15 @75&, /18 @75&
		Low profile, open ended wo/flared entry	AA55563/12 @A75&, /16 @75&

^{1/} The at sign (@) represents one of the four materials available, the letter "A" represents one of three materials available, and the ampersand (&) represents the one of the 11 protective finishes available.

MIL-HDBK-1861B

W/CHANGE 1

DRAFT DATE: 01 AUGUST 2014

APPENDIX C

TABLE C-IV. Card guides, metal, medium profile, with center mounting holes (see figure C-1).

Overall length		Style	CID classification PIN <u>1/</u>
Inch	mm		
2.0	51	Without flared entry, 2 mounting holes	AA55563/23@#20&
		With flared entry, 3 mounting holes	AA55563/24@A20&
2.5	64	Without flared entry, 2 mounting holes	AA55563/23@A25&
		With flared entry, 3 mounting holes	AA55563/24@A25&
3.0	76	Without flared entry, 2 mounting holes	AA55563/23@A30&
		With flared entry, 3 mounting holes	AA55563/24@A30&
3.5	89	Without flared entry, 2 mounting holes	AA55563/23@A35&
		With flared entry, 3 mounting holes	AA55563/24@A35&
4.0	102	Without flared entry, 2 mounting holes	AA55563/23@A40&
		With flared entry, 3 mounting holes	AA55563/24@A40&
4.5	114	Without flared entry, 2 mounting holes	AA55563/23@A45&
		With flared entry, 3 mounting holes	AA55563/24@A45&
5.0	127	Without flared entry, 2 mounting holes	AA55563/23@A50&
		With flared entry, 3 mounting holes	AA55563/24@A50&
5.5	140	Without flared entry, 2 mounting holes	AA55563/23@A55&
		With flared entry, 3 mounting holes	AA55563/24@A55&

1/ The at sign (@) represents the one of the three materials available, and the ampersand (&) represents the one of the eight protective finish available.

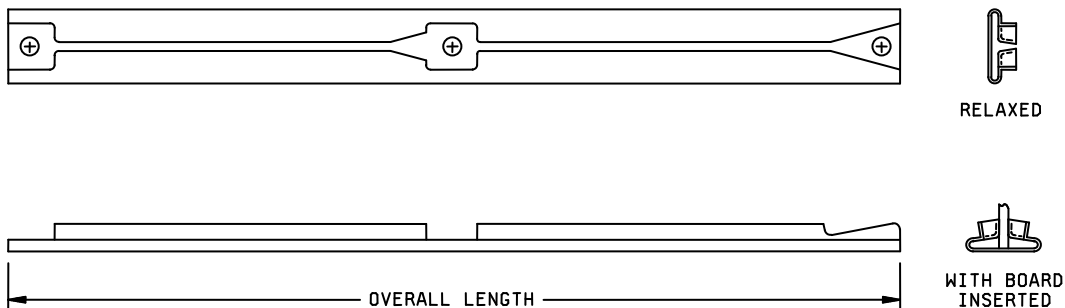


FIGURE C-1. Card guides, metal, medium profile, with center mounting hole.

MIL-HDBK-1861B

W/CHANGE 1

DRAFT DATE: 01 AUGUST 2014

APPENDIX C

TABLE C-V. Card guides, metal, with 3 center mounting holes or studs.

Overall length		Style	CID classification PIN 1/
Inch	mm		
6.5	165	Hole mounted, left hand facing	AA59812/01L65\$&; AA59812/02L65\$&;
		Hole mounted, right hand facing	AA59812/01R65\$&; AA59812/02L65\$&;
		Stud mounted, left hand facing	AA59812/01S65\$&; AA59812/02L65\$&;
		Stud mounted, right hand facing	AA59812/01T65\$&; AA59812/02L65\$&;
7.0	51	Hole mounted, left hand facing	AA59812/01L70\$&; AA59812/02L70\$&;
		Hole mounted, right hand facing	AA59812/01R70\$&; AA59812/02L70\$&;
		Stud mounted, left hand facing	AA59812/01S70\$&; AA59812/02L70\$&;
		Stud mounted, right hand facing	AA59812/01T70\$&; AA59812/02L70\$&;
7.5	64	Hole mounted, left hand facing	AA59812/01L75\$&; AA59812/02L75\$&;
		Hole mounted, right hand facing	AA59812/01R75\$&; AA59812/02L75\$&;
		Stud mounted, left hand facing	AA59812/01S75\$&; AA59812/02L75\$&;
		Stud mounted, right hand facing	AA59812/01T75\$&; AA59812/02L75\$&;
8.0	76	Hole mounted, left hand facing	AA59812/01L80\$&; AA59812/02L80\$&;
		Hole mounted, right hand facing	AA59812/01R80\$&; AA59812/02L80\$&;
		Stud mounted, left hand facing	AA59812/01S80\$&; AA59812/02L80\$&;
		Stud mounted, right hand facing	AA59812/01T80\$&; AA59812/02L80\$&;
8.5	89	Hole mounted, left hand facing	AA59812/01L85\$&; AA59812/02L85\$&;
		Hole mounted, right hand facing	AA59812/01R85\$&; AA59812/02L85\$&;
		Stud mounted, left hand facing	AA59812/01S85\$&; AA59812/02L85\$&;
		Stud mounted, right hand facing	AA59812/01T85\$&; AA59812/02L85\$&;
9.0	102	Hole mounted, left hand facing	AA59812/01L90\$&; AA59812/02L90\$&;
		Hole mounted, right hand facing	AA59812/01R90\$&; AA59812/02L90\$&;
		Stud mounted, left hand facing	AA59812/01S90\$&; AA59812/02L90\$&;
		Stud mounted, right hand facing	AA59812/01T90\$&; AA59812/02L90\$&;
9.5	114	Hole mounted, left hand facing	AA59812/01L95\$&; AA59812/02L95\$&;
		Hole mounted, right hand facing	AA59812/01R95\$&; AA59812/02L95\$&;
		Stud mounted, left hand facing	AA59812/01S95\$&; AA59812/02L95\$&;
		Stud mounted, right hand facing	AA59812/01T95\$&; AA59812/02L95\$&;
10.0	127	Hole mounted, left hand facing	AA59812/01LA0\$&; AA59812/02LA0\$&;
		Hole mounted, right hand facing	AA59812/01RA0\$&; AA59812/02LA0\$&;
		Stud mounted, left hand facing	AA59812/01SA0\$&; AA59812/02LA0\$&;
		Stud mounted, right hand facing	AA59812/01TA0\$&; AA59812/02LA0\$&;
10.5	140	Hole mounted, left hand facing	AA59812/01LA5\$&; AA59812/02LA5\$&;
		Hole mounted, right hand facing	AA59812/01RA5\$&; AA59812/02LA5\$&;
		Stud mounted, left hand facing	AA59812/01SA5\$&; AA59812/02LA5\$&;
		Stud mounted, right hand facing	AA59812/01TA5\$&; AA59812/02LA5\$&;

See footnote at end of table.

MIL-HDBK-1861B

W/CHANGE 1

DRAFT DATE: 01 AUGUST 2014

APPENDIX C

TABLE C-V. Card guides, metal, with 3 center mounting holes or studs – Continued.

Overall length		Style	CID classification PIN <u>1/</u>
Inch	mm		
6.5	64	Hole mounted, left hand facing	AA59812/03L65\$&; AA59812/04L65\$&;
		Hole mounted, right hand facing	AA59812/03R65\$&; AA59812/04L65\$&;
		Swag nut mounted, left hand facing	AA59812/03S65\$&; AA59812/04L65\$&;
		Swag nut mounted, right hand facing	AA59812/03T65\$&; AA59812/04L65\$&;
7.0	178	Hole mounted, left hand facing	AA59812/03L70\$&; AA59812/04L70\$&;
		Hole mounted, right hand facing	AA59812/03R70\$&; AA59812/04L70\$&;
		Swag nut mounted, left hand facing	AA59812/03S70\$&; AA59812/04L70\$&;
		Swag nut mounted, right hand facing	AA59812/03T70\$&; AA59812/04L70\$&;
7.5	191	Hole mounted, left hand facing	AA59812/03L75\$&; AA59812/04L75\$&;
		Hole mounted, right hand facing	AA59812/03R75\$&; AA59812/04L75\$&;
		Swag nut mounted, left hand facing	AA59812/03S75\$&; AA59812/04L75\$&;
		Swag nut mounted, right hand facing	AA59812/03T75\$&; AA59812/04L75\$&;
8.0	203	Hole mounted, left hand facing	AA59812/03L80\$&; AA59812/04L80\$&;
		Hole mounted, right hand facing	AA59812/03R80\$&; AA59812/04L80\$&;
		Swag nut mounted, left hand facing	AA59812/03S80\$&; AA59812/04L80\$&;
		Swag nut mounted, right hand facing	AA59812/03T80\$&; AA59812/04L80\$&;
8.5	216	Hole mounted, left hand facing	AA59812/03L85\$&; AA59812/04L85\$&;
		Hole mounted, right hand facing	AA59812/03R85\$&; AA59812/04L85\$&;
		Swag nut mounted, left hand facing	AA59812/03S85\$&; AA59812/04L85\$&;
		Swag nut mounted, right hand facing	AA59812/03T85\$&; AA59812/04L85\$&;
9.0	229	Hole mounted, left hand facing	AA59812/03L90\$&; AA59812/04L90\$&;
		Hole mounted, right hand facing	AA59812/03R90\$&; AA59812/04L90\$&;
		Swag nut mounted, left hand facing	AA59812/03S90\$&; AA59812/04L90\$&;
		Swag nut mounted, right hand facing	AA59812/03T90\$&; AA59812/04L90\$&;
9.5	241	Hole mounted, left hand facing	AA59812/03L95\$&; AA59812/04L95\$&;
		Hole mounted, right hand facing	AA59812/03R95\$&; AA59812/04L95\$&;
		Swag nut mounted, left hand facing	AA59812/03S95\$&; AA59812/04L95\$&;
		Swag nut mounted, right hand facing	AA59812/03T95\$&; AA59812/04L95\$&;

1/ The dollar sign (\$) represents one of the materials available and the ampersands (&) represents the one of the protective finishes available.

MIL-HDBK-1861B

W/CHANGE 1

DRAFT DATE: 01 AUGUST 2014

APPENDIX C

TABLE C-VI. Card guides, metal, slot width .0625 inch (1.59 mm).

Overall length		Number of mounting holes	DLA Land and Maritime drawing PIN ^{1/}
Inch	mm		
1.5	38	2	85033-087, 088, 089, 090, 111, 112, 113, 114
2.0	51	2	85033-091, 092, 093, 094, 115, 116, 117, 118
2.25	57	2	85034-01, 13, 25, 37, 49, 55, 61, 67
2.5	64	2	85033-095, 096, 097, 098, 119, 120, 121, 122
3.0	76	2	84168-001, 002, 005, 006,
3.0	76	3	85033-099, 100, 101, 102, 123, 124, 125, 126
3.25	83	3	85034-03, 15, 27, 39, 51, 57, 63, 69
3.5	89	2	84168-009, 010, 013, 014
3.5	89	3	85033-103, 104, 105, 106, 127, 128, 129, 130
4.0	102	2	84168-017, 018, 021, 022
4.0	102	3	85033-107, 108, 109, 110, 131, 132, 133, 134
4.25	108	4	85034-05, 17, 29, 41
4.5	114	2	84168-025, 026, 029, 030
4.5	114	3	85033-001, 002, 003, 004, 009, 010, 011, 012
5.0	127	3	84168-033, 034, 037, 038
5.25	133	5	85034-07, 19, 31, 43, 53, 59, 65, 71
5.5	140	3	84168-041, 042, 045, 046
6.0	152	3	84168-049, 050, 053, 054
6.0	152	4	85033-017, 018, 019, 023, 024, 025
6.25	159	6	85034-09, 21, 33, 45, 73
7.0	178	3	84168-057, 058, 061, 062
7.0	178	4	85033-211, 212, 217, 218
7.5	191	3	84168-065, 066, 69, 70
8.0	203	5	85033-199, 200
8.25	210	8	85034-11, 23, 35, 47
8.5	216	3	84168-073, 074, 077, 078
10.0	254	6	85033-205, 206

^{1/} DESC drawing 85033 contains provisions for three finish options, optional housing index pins, optional hex head drive indexing, and whether the card guide comes assembled or in a disassembled kit form.

MIL-HDBK-1861B

W/CHANGE 1

DRAFT DATE: 01 AUGUST 2014

APPENDIX C

TABLE C-VII. Card guides, metal, slot width .0937 inch (2.38 mm).

Overall length		Number of mounting holes	DLA Land and Maritime drawing PIN ^{1/}
Inch	mm		
1.5	38	2	85033-135, 136, 137, 138, 159, 160, 161, 162
2.0	51	2	85033-139, 140, 141, 142, 163, 164, 165, 166
2.5	57	2	85033-143, 144, 145, 146, 167, 168, 169, 170
3.0	76	2	84168-003, 004, 007, 008
3.0	76	3	85033-147, 148, 149, 150, 171, 172, 173, 174
3.25	83	3	85034-04, 16, 28, 40, 52, 58, 64, 70
3.5	89	2	84168-011, 012, 015, 016
3.5	89	3	85033-151, 152, 153, 154, 175, 176, 177, 178
4.0	102	2	84168-019, 020, 023, 024
4.0	102	3	85033-155, 156, 157, 158, 179, 180, 181, 182
4.25	108	4	85034-06, 18, 30, 42
4.5	114	2	84168-027, 028, 031, 032
4.5	114	3	85033-005, 006, 007, 008, 013, 014, 015, 016
5.0	127	3	84168-035, 036, 039, 040
5.25	133	5	85034-08, 20, 32, 44, 54, 60, 66, 72
5.5	140	3	84168-043, 044, 047, 048
6.0	152	3	84168-051, 052, 055, 056
6.0	152	4	85033-020, 021, 022, 026, 027, 028
6.25	159	6	85034-10, 22, 34, 46, 74
7.0	178	3	84168-059, 060, 063, 064
7.0	178	4	85033-213, 214, 219, 220
7.5	191	3	84168-067, 068, 071, 072
8.0	203	5	85033-201, 202
8.25	210	8	85034-12, 24, 36, 48
8.5	216	3	84168-075, 076, 079, 080
10.0	254	6	85033-207, 208

^{1/} DESC drawing 85033 contains provisions for three finish options, optional housing index pins, optional hex head drive indexing, and whether the card guide comes assembled or in a disassembled kit form.

MIL-HDBK-1861B

W/CHANGE 1

DRAFT DATE: 01 AUGUST 2014

APPENDIX C

TABLE C-VIII. Card guides, metal, slot width .125 inch (3.18 mm).

Overall length		Number of mounting holes	DLA Land and Maritime drawing PIN ^{1/}
Inch	mm		
1.5	38	2	85033-183, 184, 185, 186, 191, 192, 193, 194
2.0	51	2	85033-187, 188, 189, 190, 195, 196, 197, 198
2.5	64	2	85033-029, 030, 031, 032, 058, 059, 060, 061
3.0	76	3	85033-033, 034, 035, 036, 062, 063, 064, 065
3.5	89	3	85033-037, 038, 039, 040, 066, 067, 068, 069
4.0	102	3	85033-041, 042, 043, 044, 070, 071, 072, 073
4.5	114	3	85033-045, 046, 047, 048, 074, 075, 076, 077
5.0	127	4	85033-049, 050, 051, 078, 079, 080
5.5	140	4	85033-052, 053, 054, 081, 082, 083
6.0	152	4	85033-055, 056, 057, 084, 085, 086
7.0	178	4	85033-215, 216, 221, 222
8.0	203	5	85033-203, 204
10.0	254	6	85033-209, 210

^{1/} DESC drawing 85033 contains provisions for three finish options (black anodize, chemical film, or unfinished), optional housing index pins, optional hex head drive indexing, and whether the card guide comes assembled or in a disassembled kit form.

MIL-HDBK-1861B

W/CHANGE 1

DRAFT DATE: 01 AUGUST 2014

APPENDIX C

TABLE C-IX. Card guides, metal, screw actuated, slot width .025 to .079 inch (0.64 to 2.01 mm).

Overall length		Number of mounting holes	DLA Land and Maritime drawing PIN <u>1/</u>
Inch	mm		
3.0	76.20	2	88052-001*, 002*, 005*, 006*
3.5	88.90	2	88052-009*, 010*, 013*, 014*
4.0	101.60	2	88052-017*, 018*, 021*, 022*
4.5	114.30	2	88052-025*, 026*, 029*, 030*
5.0	127.00	3	88052-033*, 034*, 037*, 038*
5.5	139.70	3	88052-041*, 042*, 045*, 046*
6.0	152.40	3	88052-049*, 050*, 053*, 054*
6.5	165.10	3	88052-057*, 058*, 061*, 062*
7.0	177.80	3	88052-065*, 066*, 069*, 070*
7.5	190.50	3	88052-073*, 074*, 077*, 078*
8.0	203.20	4	88052-081*, 082*, 085*, 086*
8.5	215.90	4	88052-089*, 090*, 093*, 094*
9.0	228.60	4	88052-097*, 098*, 101*, 102*
9.5	241.30	4	88052-105*, 106*, 109*, 110*
10.0	254.00	4	88052-113*, 114*, 117*, 118*
10.5	266.70	4	88052-121*, 122*, 125*, 126*
11.0	279.40	5	88052-129*, 130*, 133*, 134*
11.5	292.10	5	88052-137*, 138*, 141*, 142*
12.0	304.80	5	88052-145*, 146*, 149*, 150*

1/ The asterisk (*) represents one of three protective finishes available.

MIL-HDBK-1861B

W/CHANGE 1

DRAFT DATE: 01 AUGUST 2014

APPENDIX C

TABLE C-X. Card guides, metal, screw actuated, slot width .080 to .145 inch (2.03 to 3.68 mm).

Overall length		Number of mounting holes	DLA Land and Maritime drawing PIN <u>1/</u>
Inch	mm		
3.0	76.20	2	88052-003*, 004*, 007*, 008*
3.5	88.90	2	88052-011*, 012*, 015*, 016*
4.0	101.60	2	88052-019*, 020*, 023*, 024*
4.5	114.30	2	88052-027*, 028*, 031*, 032*
5.0	127.00	3	88052-035*, 036*, 039*, 040*
5.5	139.70	3	88052-043*, 044*, 047*, 048*
6.0	152.40	3	88052-051*, 052*, 055*, 056*
6.5	165.10	3	88052-059*, 060*, 063*, 064*
7.0	177.80	3	88052-067*, 068*, 071*, 072*
7.5	190.50	3	88052-075*, 076*, 079*, 080*
8.0	203.20	4	88052-083*, 084*, 087*, 088*
8.5	215.90	4	88052-091*, 082*, 095*, 096*
9.0	228.60	4	88052-099*, 100*, 103*, 104*
9.5	241.30	4	88052-107*, 108*, 111*, 112*
10.0	254.00	4	88052-115*, 116*, 119*, 120*
10.5	266.70	4	88052-123*, 124*, 127*, 128*
11.0	279.40	5	88052-131*, 132*, 135*, 136*
11.5	292.10	5	88052-139*, 140*, 143*, 144*
12.0	304.80	5	88052-147*, 148*, 151*, 152*

1/ The asterisk (*) represents one of three protective finishes available.

MIL-HDBK-1861B

W/CHANGE 1

DRAFT DATE: 01 AUGUST 2014

APPENDIX C

TABLE C-XI. Card guides, metal, lever actuated, slot width .211 inch (5.36 mm) + PWB thickness.

Overall length		Number of mounting holes	DLA Land and Maritime drawing PIN
Inch	mm		
3.0	76.20	2	86092-01, 02, 03, 04
3.5	88.90	2	86092-05, 06, 07, 08
4.0	101.60	2	86092-09, 10, 11, 12
4.5	114.30	2	86092-13, 14, 15, 16
5.0	127.00	3	86092-17, 18, 19, 20
5.5	139.70	3	86092-21, 22, 23, 24
6.0	152.40	3	86092-25, 26, 27, 28
7.0	177.80	3	86092-29, 30, 31, 32
7.5	190.50	3	86092-33, 34, 35, 36
8.0	203.20	4	86092-37, 38, 39, 40

TABLE C-XII. Card guides, plastic, pylon mounted, shallow slot, slot width .078 inch (1.98 mm).

Overall length		Number of snap pylons	DLA Land and Maritime drawing PIN
Inch	mm		
2.5	63.50	2	84006-01
3.0	76.20	2	84006-02
3.5	88.90	2	84006-03
4.0	101.60	2	84006-04
4.5	114.30	2	84006-05
5.0	127.00	2	84006-06
5.5	139.70	2	84006-07
6.0	152.40	2	84006-08
6.5	165.10	2	84006-09
7.0	177.80	2	84006-10
7.5	190.50	2	84006-11
8.0	203.20	2	84006-12
8.5	215.90	3	84006-13
9.0	228.60	3	84006-14
9.5	241.30	3	84006-15
10.0	254.00	3	84006-16
10.5	266.70	3	84006-17
11.0	279.40	3	84006-18
11.5	292.10	3	84006-19
12.0	304.80	3	84006-20
12.5	317.50	3	84006-21
13.0	330.20	3	84006-22
13.5	342.90	3	84006-23
14.0	355.60	3	84006-24

MIL-HDBK-1861B

W/CHANGE 1

DRAFT DATE: 01 AUGUST 2014

APPENDIX C

TABLE C-XIII. Card guides, plastic, pylon mounted, deep slot, slot width .080 to .132 inch (2.0 to 3.4 mm).

Overall length		Number of snap pylons	Slot width		DLA Land and Maritime drawing PIN
Inch	mm		Inch	mm	
2.5	63.50	2	.080	2.03	84101-01
4.5	114.30	2	.080	2.03	84101-02
6.0	152.40	2	.080	2.03	84101-03
8.0	203.20	3	.080	2.03	84101-04
4.5	114.30	2	.132	3.35	84101-22
6.0	152.40	2	.132	3.35	84101-23
8.0	203.20	3	.132	3.35	84101-24

TABLE C-XIV. Card guides, plastic, slot width .050 to .100 inch (1.27 to 2.54 mm).

Overall length		Number of snap pylons	DESC drawing PIN
Inch	mm		
2.5	64	2	85067-08, 09, 12
2.5	64	2	89029-03, 04, 05, 06
3.5	89	2	85067-07, 11
3.5	89	2	89029-07, 08
4.125	10.78	2	85067-05, 06, 10
4.125	10.78	2	89029-09, 10, 11, 12
5.5	140	2	85067-04
5.5	140	2	89029-13
6.375	161.93	2	85067-03
6.375	161.93	2	89029-14, 15
6.875	174.63	2	85067-02
6.875	174.63	2	89029-16
7.0	178	2	85067-01
7.0	178	2	89029-17

TABLE C-XV. Card guide, plastic, fastener mounted, shallow slot, slot width .070 inch (1.78 mm).

Overall length		Number of mounting holes	DESC drawing PIN
Inch	mm		
3.50	88.9	2	85068-04
6.88	174.6	2	85068-05
8.50	215.9	3	85068-06
8.50	215.9	3	<u>1/</u> 85068-07

1/ Slot width is .100 inch (2.54 mm).

MIL-HDBK-1861B

W/CHANGE 1

DRAFT DATE: 01 AUGUST 2014

APPENDIX D

CARD HOLDERS

D.1. SCOPE

D.1.1 Scope. This appendix covers commercial item descriptions and drawings used for card holders. The parts described by these commercial item descriptions and drawings are used to supplement Military specifications.

D.2. WEDGE STYLE CARD HOLDERS

D.2.1 Three body wedge card holders. Three body wedge circuit card assembly retainers are found in [tables D-I](#) through [D-IX](#).

D.2.2 Five body wedge card holders. Five body wedge circuit card assembly retainers are found in [tables D-X](#) through [D-XII](#).

D.2.3 Seven body wedge card holders. Seven body wedge circuit card assembly card holders are found in [tables D-X](#) through [D-XII](#).

MIL-HDBK-1861B

W/CHANGE 1

DRAFT DATE: 01 AUGUST 2014

APPENDIX D

TABLE D-I. Card holders, 3 body wedge retainers, with lever action locking (see figure D-1). 1/

Mounting length		Number of mounting holes	Mounting method	CID PIN 2/
Inch	mm			
2.8	71	2	Rivets or screws	A-A-59590/1*#28&
3.0	76	2	Rivets or screws	A-A-59590/1*#30&
3.8	96	2	Rivets or screws	A-A-59590/1*#38&
4.0	101	2	Rivets or screws	A-A-59590/1*#40&
4.8	121	2	Rivets or screws	A-A-59590/1*#48&
5.0	127	2	Rivets or screws	A-A-59590/1*#50&
5.8	147	2	Rivets or screws	A-A-59590/1*#58&
6.0	152	2	Rivets or screws	A-A-59590/1*#60&
6.8	172	2	Rivets or screws	A-A-59590/1*#68&
7.0	177	2	Rivets or screws	A-A-59590/1*#70&
7.8	198	2	Rivets or screws	A-A-59590/1*#78&
8.0	203	2	Rivets or screws	A-A-59590/1*#80&
8.8	223	2	Rivets or screws	A-A-59590/1*#88&
9.0	228	2	Rivets or screws	A-A-59590/1*#90&

1/ The wedge size is .225 by .260 inch (5.72 x 6.61 mm).

2/ The asterisk (*) represent the one of the five protective finishes options available, the number sign (#) represents one of the four available mounting hole options, and the ampersand (&) represents the three facing options (left, right, or universal facing).

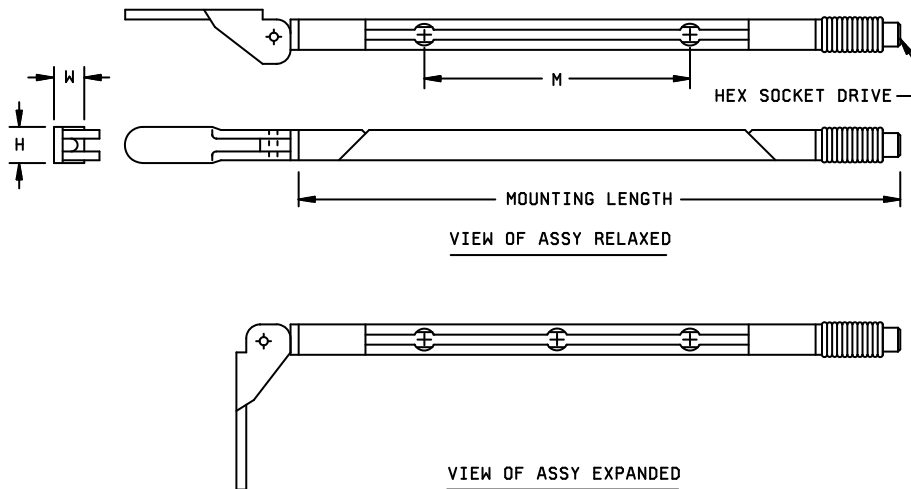


FIGURE D-1. Relaxed and expanded dimensions, lever actuated card holders.

MIL-HDBK-1861B

W/CHANGE 1

DRAFT DATE: 01 AUGUST 2014

APPENDIX D

TABLE D-II. Card holders, 3 body wedge retainers, with ejection action (see figure D-2). 1/

Mounting length		Mounting method	CID PIN 2/ 3/
Inch	mm		
2.8	71	Rivets or screws	A-A-59590/2*#28&, A-A-59590/25*#28&
3.2	89	Rivets or screws	A-A-59590/25*#32&
3.5	76	Rivets or screws	A-A-59590/2*#35&
3.8	96	Rivets or screws	A-A-59590/2*#38&, A-A-59590/25*#38&
4.0	101	Rivets or screws	A-A-59590/2*#40&
4.8	121	Rivets or screws	A-A-59590/2*#48&, A-A-59590/25*#48&
5.8	147	Rivets or screws	A-A-59590/2*#58&
6.4	152	Rivets or screws	A-A-59590/2*#64&, A-A-59590/25*#64&

1/ The wedge size is .225 by .260 inch (5.72 x 6.61 mm).

2/ The asterisk (*) represent the five protective finish options, the number sign (#) represents the four mounting hole options, and the ampersand (&) represents the three hardware options (lockwasher and flat washer, screw self-locking element, and a combination or both previous options).

3/ A-A-59590/25 covers card holders with visual lock indication.

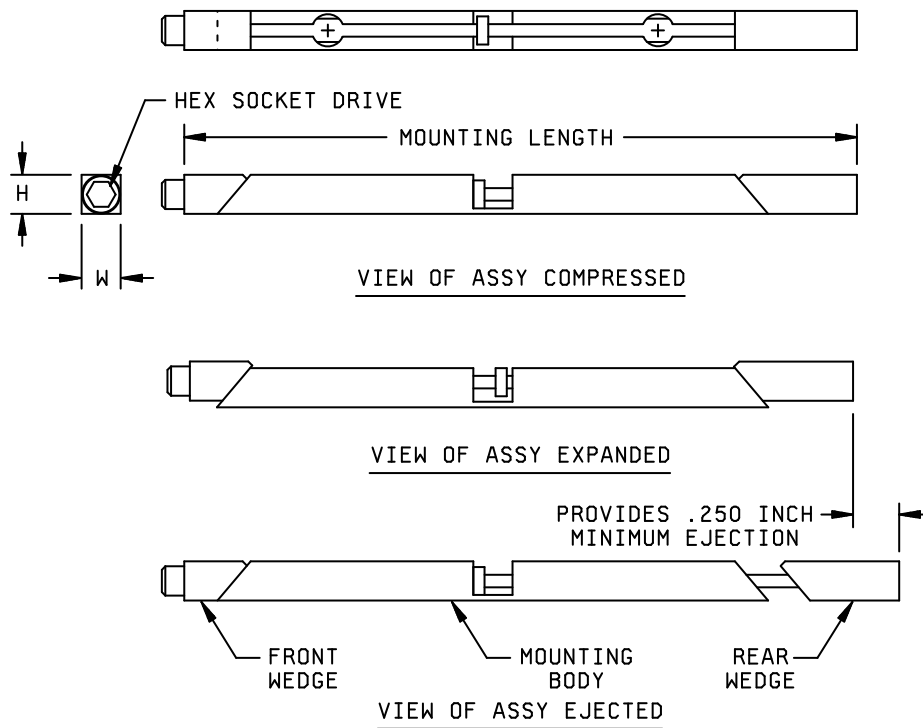


FIGURE D-2. Relaxed and expanded dimensions, ejection action card holders.

MIL-HDBK-1861B

W/CHANGE 1

DRAFT DATE: 01 AUGUST 2014

APPENDIX D

TABLE D-III. Card holders, 3 body wedge retainer, .225 by .260 inch (5.72 x 6.61 mm) body size (see figure D-3).

Mounting length		Mounting method	CID PIN <u>1/</u> <u>2/</u>
Inch	mm		
1.8	45.7	Rivets or screws	A-A-59590/5*#18&, /6*#18&
2.3	58.0	Rivets or screws	A-A-59590/5*#23&, /6*#23&
2.8	71.1	Rivets or screws	A-A-59590/3*#28&, /4*#28&, /5*#28&, /6*#28&
3.0	76.2	Rivets or screws	A-A-59590/3*#30&, /4*#30&, /5*#30&, /6*#30&
3.5	88.9	Rivets or screws	A-A-59590/3*#35&, /4*#35&, /5*#35&, /6*#35&
3.8	96.5	Rivets or screws	A-A-59590/3*#38&, /4*#38&, /5*#38&, /6*#38&
4.8	121.9	Rivets or screws	A-A-59590/3*#48&, /4*#48&, /5*#48&, /6*#48&
5.3	134.6	Rivets or screws	A-A-59590/3*#53&, /4*#53&, /5*#53&, /6*#53&
5.5	139.7	Rivets or screws	A-A-59590/3*#55&, /4*#55&, /5*#55&, /6*#55&
5.8	147.3	Rivets or screws	A-A-59590/3*#58&, /4*#58&, /5*#58&, /6*#58&
6.1	154.9	Rivets or screws	A-A-59590/3*#61&, /4*#61&, /5*#61&, /6*#61&
6.3	160.0	Rivets or screws	A-A-59590/5*#63&, /6*#63&
6.7	170.2	Rivets or screws	A-A-59590/3*#67&, /4*#67&, /5*#67&, /6*#67&
6.8	172.7	Rivets or screws	A-A-59590/5*#68&, /6*#68&
7.3	185.4	Rivets or screws	A-A-59590/5*#73&, /6*#73&
7.8	198.1	Rivets or screws	A-A-59590/5*#78&, /6*#78&
8.3	210.8	Rivets or screws	A-A-59590/5*#83&, /6*#83&
8.8	223.5	Rivets or screws	A-A-59590/5*#88&, /6*#88&

- 1/ The asterisk (*) represent the five protective finish options, the number sign (#) represents the four mounting hole options, and the ampersand (&) represents the three hardware options (lockwasher and flat washer, screw self-locking element, and a combination or both previous options).
- 2/ A-A-59590/4 covers card holders with visual lock indication, A-A-59590/5 covers card holders with screw retention, and A-A-59590/6 covers card holders with visual lock and screw retention.

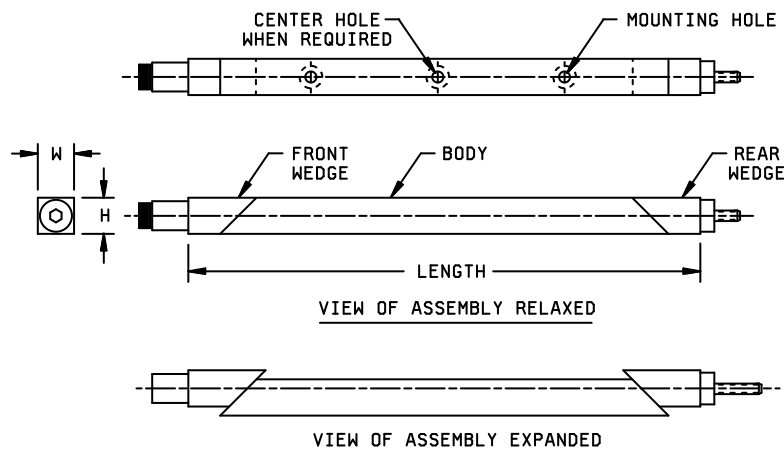


FIGURE D-3. Relaxed and expanded dimensions, screw actuated card holders.

MIL-HDBK-1861B

W/CHANGE 1

DRAFT DATE: 01 AUGUST 2014

APPENDIX D

TABLE D-IV. Card holders, 3 body wedge retainer, .220 by .220 inch (5.59 x 5.9 mm) body size.

Mounting length		Mounting method	CID PIN <u>1/</u> <u>2/</u>
Inch	mm		
1.8	45.7	Rivets or screws	A-A-59590/7*#18&, /8*#18&, /9*#18&, /10*#18&
2.3	58.4	Rivets or screws	A-A-59590/7*#23&, /8*#23&, /9*#23&, /10*#23&
2.8	71.1	Rivets or screws	A-A-59590/7*#28&, /8*#28&, /9*#28&, /10*#28&
3.0	76.2	Rivets or screws	A-A-59590/7*#30&, /8*#30&, /9*#30&, /10*#30&
3.3	83.8	Rivets or screws	A-A-59590/7*#33&, /8*#33&, /9*#33&, /10*#33&
3.5	88.9	Rivets or screws	A-A-59590/7*#35&, /8*#35&, /9*#35&, /10*#35&
3.8	96.5	Rivets or screws	A-A-59590/7*#38&, /8*#38&, /9*#38&, /10*#38&
4.3	109.2	Rivets or screws	A-A-59590/7*#43&, /8*#43&, /9*#43&, /10*#43&
4.8	121.9	Rivets or screws	A-A-59590/7*#48&, /8*#48&, /9*#48&, /10*#48&
5.3	134.6	Rivets or screws	A-A-59590/7*#53&, /8*#53&, /9*#53&, /10*#53&
5.8	147.3	Rivets or screws	A-A-59590/7*#55&, /8*#55&, /9*#55&, /10*#55&
6.3	160.0	Rivets or screws	A-A-59590/7*#63&, /8*#63&, /9*#63&, /10*#63&
6.8	172.7	Rivets or screws	A-A-59590/7*#68&, /8*#68&, /9*#68&, /10*#68&
7.3	185.4	Rivets or screws	A-A-59590/7*#73&, /8*#73&, /9*#73&, /10*#73&
7.8	198.1	Rivets or screws	A-A-59590/7*#78&, /8*#78&, /9*#78&, /10*#78&
8.3	210.8	Rivets or screws	A-A-59590/7*#83&, /8*#83&, /9*#83&, /10*#83&
8.8	223.5	Rivets or screws	A-A-59590/7*#88&, /8*#88&, /9*#88&, /10*#88&

1/ The asterisk (*) represent the three protective finish options, the number sign (#) represents the seven mounting hole options, and the ampersand (&) represents the three hardware options (lockwasher and flat washer, screw self-locking element, and a combination of both previous options).

2/ A-A-59590/8 covers card holders with visual lock indication, A-A-59590/9 covers card holders with screw retention, and A-A-59590/10 covers card holders with visual lock and screw retention.

MIL-HDBK-1861B

W/CHANGE 1

DRAFT DATE: 01 AUGUST 2014

APPENDIX D

TABLE D-V. Card holders, 3 body wedge retainer, .240 by .180 inch (6.1 x 4.57 mm) body size.

Mounting length		Mounting method	CID PIN <u>1/</u> <u>2/</u>
Inch	mm		
1.8	46	Rivets or screws	A-A-59590/11*#18&, A-A-59590/12*#18&
2.8	71	Rivets or screws	A-A-59590/11*#28&, A-A-59590/12*#28&
3.0	76	Rivets or screws	A-A-59590/11*#30&, A-A-59590/12*#30&
3.5	89	Rivets or screws	A-A-59590/11*#35&, A-A-59590/12*#35&
3.8	97	Rivets or screws	A-A-59590/11*#38&, A-A-59590/12*#38&
4.0	102	Rivets or screws	A-A-59590/11*#40&, A-A-59590/12*#40&
4.5	114	Rivets or screws	A-A-59590/11*#45&, A-A-59590/12*#45&
4.8	122	Rivets or screws	A-A-59590/11*#48&, A-A-59590/12*#48&
5.0	127	Rivets or screws	A-A-59590/11*#50&, A-A-59590/12*#50&
5.8	147	Rivets or screws	A-A-59590/11*#58&, A-A-59590/12*#58&

1/ The asterisk (*) represent the three protective finish options, the number sign (#) represents the seven mounting hole options, and the ampersand (&) represents the three hardware options (lockwasher and flat washer, screw self-locking element, and a combination or both previous options).

2/ A-A-59590/12 covers card holders with screw retention.

TABLE D-VI. Card holders, 3 body wedge retainer, .375 by .375 inch (9.53 x 9.53 mm) body size.

Mounting length		Mounting method	CID PIN <u>1/</u> <u>2/</u>
Inch	mm		
2.8	71	Rivets or screws	A-A-59590/13*#28&, /14*#28&, /15*#28&, /16*#28&
3.3	84	Rivets or screws	A-A-59590/13*#33&, /14*#33&, /15*#33&, /16*#33&
3.8	97	Rivets or screws	A-A-59590/13*#38&, /14*#38&, /15*#38&, /16*#38&
4.3	102	Rivets or screws	A-A-59590/13*#43&, /14*#43&, /15*#43&, /16*#43&
4.8	114	Rivets or screws	A-A-59590/13*#48&, /14*#48&, /15*#48&, /16*#48&
5.3	127	Rivets or screws	A-A-59590/13*#53&, /14*#53&, /15*#53&, /16*#53&
5.8	147	Rivets or screws	A-A-59590/13*#58&, /14*#58&, /15*#58&, /16*#58&

1/ The asterisk (*) represent the three protective finish options, the number sign (#) represents the seven mounting hole options, and the ampersand (&) represents the three hardware options (lockwasher and flat washer, screw self-locking element, and a combination or both previous options).

2/ A-A-59590/14 covers card holders with visual lock indication, A-A-59590/15 covers card holders with screw retention, and A-A-59590/16 covers card holders with visual lock and screw retention.

MIL-HDBK-1861B

W/CHANGE 1

DRAFT DATE: 01 AUGUST 2014

APPENDIX D

TABLE D-VII. Card holders, 3 body wedge retainer, .260 by .260 inch (6.61 x 6.61 mm) body size.

Mounting length		Mounting method	CID PIN <u>1/</u> <u>2/</u>
Inch	mm		
2.8	71	Rivets or screws	A-A-59590/17*#28&, /18*#28&, /19*#28&, /20*#28&
3.8	97	Rivets or screws	A-A-59590/17*#38&, /18*#38&, /19*#38&, /20*#38&
4.8	122	Rivets or screws	A-A-59590/17*#48&, /18*#48&, /19*#48&, /20*#48&
5.8	147	Rivets or screws	A-A-59590/17*#58&, /18*#58&, /19*#58&, /20*#58&

- 1/ The asterisk (*) represent the three protective finish options, the number sign (#) represents the four mounting hole options, and the ampersand (&) represents the three hardware options (lockwasher and flat washer, screw self-locking element, and a combination or both previous options).
- 2/ A-A-59590/18 covers card holders with visual lock indication, A-A-59590/19 covers card holders with screw retention, and A-A-59590/20 covers card holders with visual lock and screw retention.

TABLE D-VIII. Card holders, 3 body wedge retainer, .500 by .450 inch (12.7 x 11.43 mm) body size.

Mounting length		Mounting method	CID PIN <u>1/</u> <u>2/</u>
Inch	mm		
2.8	71	Rivets or screws	A-A-59590/21*#28&, /22*#28&, /23*#28&, /24*#28&
3.8	97	Rivets or screws	A-A-59590/21*#38&, /22*#38&, /23*#38&, /24*#38&
4.8	122	Rivets or screws	A-A-59590/21*#48&, /22*#48&, /23*#48&, /24*#48&
5.8	147	Rivets or screws	A-A-59590/21*#58&, /22*#58&, /23*#58&, /24*#58&

- 1/ The asterisk (*) represent the three protective finish options, the number sign (#) represents the four mounting hole options, and the ampersand (&) represents the three hardware options (lockwasher and flat washer, screw self-locking element, and a combination or both previous options).
- 2/ A-A-59590/22 covers card holders with visual lock indication, A-A-59590/23 covers card holders with screw retention, and A-A-59590/24 covers card holders with visual lock and screw retention.

TABLE D-IX. Card holders, 3 body wedge retainer, various body sizes.

Mounting length		Mounting method	DESC PIN <u>1/</u>
Inch	mm		
2.8	71	Rivets or screws	84103-01*, 08*, 15*, 18*, 25*, 32*, 38*
3.0	76	Rivets or screws	84103-02*, 09*, 19*, 26*, 39*, 45*
3.5	89	Rivets or screws	84103-03*, 10*, 20*, 27*, 40*, 46*
3.8	97	Rivets or screws	84103-04*, 11*, 16*, 21*, 28*, 33*, 41*
4.0	102	Rivets or screws	84103-47*
4.5	114	Rivets or screws	84103-48*
4.8	121	Rivets or screws	84103-05*, 12*, 17*, 22*, 29*, 34*, 42*
5.0	127	Rivets or screws	84103-49*
5.3	134	Rivets or screws	84103-06*, 13*, 23*, 30*, 43*
5.8	147	Rivets or screws	84103-07*, 14*, 24*, 31*, 44*
6.1	155	Rivets or screws	84103-36*
6.7	170	Rivets or screws	84103-37*

- 1/ The asterisk (*) represents one of the two protective finish available.

MIL-HDBK-1861B

W/CHANGE 1

DRAFT DATE: 01 AUGUST 2014

APPENDIX D

TABLE D-X. Card holders, 5 body wedge retainer, .250 by .260 (6.35 x 6.61 mm) body size.

Mounting length		Number of mounting holes	Mounting method	DESC drawing PIN ^{1/}
Inch	mm			
2.8	71	2	Rivets or screws	89024-01*#, 11*#
3.0	76	2	Rivets or screws	89024-02*#, 12*#
3.5	88	2	Rivets or screws	89024-03*#, 13*#
3.8	96	2	Rivets or screws	89024-04*#, 14*#
4.0	101	2	Rivets or screws	89024-05*#, 15*#
4.5	114	2	Rivets or screws	89024-06*#, 16*#
4.8	121	2	Rivets or screws	89024-07*#, 17*#
5.0	127	2	Rivets or screws	89024-08*#, 18*#
5.5	139	2	Rivets or screws	89024-09*#, 19*#
5.8	147	2	Rivets or screws	89024-10*#, 20*#

^{1/} The asterisk (*) represent the two protective finish options, the number sign (#) represents the two mounting hole options.

TABLE D-XI. Card holders, 5 body wedge retainer, various body sizes.

Mounting length		Body size		Number of mounting holes	DESC drawing PIN ^{1/}
Inch	mm	Inch	mm		
5.0	127	.225 x .260	5.72 x 6.61	2	89064-50A#&, 50C#&, 50E#&, 50G#&
5.0	127	.225 x .225	5.72 x 5.72	2	89064-50B#&, 50F#&
6.0	152	.225 x .260	5.72 x 6.61	2	89064-60A#&, 60C#&, 60E#&, 60G#&
6.0	152	.225 x .225	5.72 x 5.72	2	89064-60B#&, 60F#&
6.5	165	.225 x .260	5.72 x 6.61	2	89064-65A#&, 65C#&, 65E#&, 65G#&
6.5	165	.225 x .225	5.72 x 5.72	2	89064-65B#&, 65F#&
7.0	178	.225 x .260	5.72 x 6.61	4	89064-70D#&, 70H#&
7.5	190	.225 x .260	5.72 x 6.61	4	89064-75D#&, 75H#&
8.0	203	.225 x .260	5.72 x 6.61	4	89064-80D#&, 80H#&
8.5	216	.225 x .260	5.72 x 6.61	4	89064-85D#&, 85H#&

^{1/} The number sign (#) represents the four mounting hole options and the ampersand (&) represents optional configurations.

MIL-HDBK-1861B

W/CHANGE 1

DRAFT DATE: 01 AUGUST 2014

APPENDIX D

TABLE D-XII. Card holders, 5 body wedge retainer, various body sizes (see figure D-4).

Mounting length (L)		Body size (W x H)		Number of mounting holes	CID PIN ^{1/}
Inch	mm	Inch	mm		
4.8	122	.225 x .260	5.72 x 6.61	2	A-A-59789/01&*50#, /02&*50#
4.8	122	.225 x .225	5.72 x 5.72	2	A-A-59789/03&*50#, /04&*50#
5.3	135	.225 x .260	5.72 x 6.61	2	A-A-59789/01&*55#, /02&*55#
5.3	135	.225 x .225	5.72 x 5.72	2	A-A-59789/03&*55#, /04&*55#
5.8	147	.225 x .260	5.72 x 6.61	2	A-A-59789/01&*60#, /02&*60#
5.8	147	.225 x .225	5.72 x 5.72	2	A-A-59789/03&*60#, /04&*60#
6.3	160	.225 x .260	5.72 x 6.61	2	A-A-59789/01&*65#, /02&*65#
6.3	160	.225 x .225	5.72 x 5.72	2	A-A-59789/03&*65#, /04&*65#

^{1/} The ampersand (&) represents the configuration, the asterisk (*) represents the four various finishes, and the number sign (#) represents the four mounting hole options.

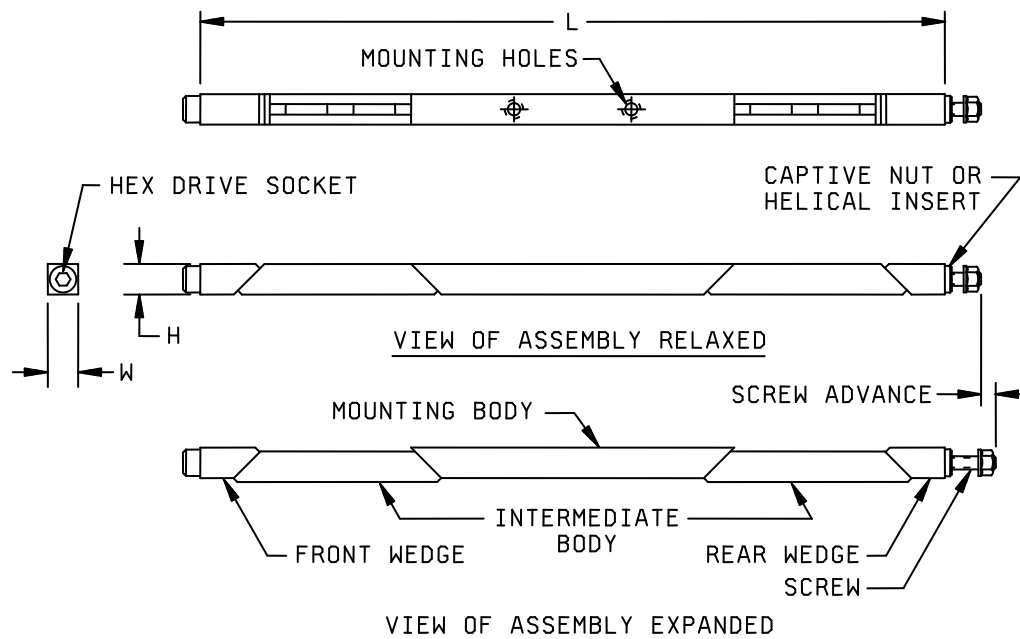


FIGURE D-4. Card holders, 5 body wedge retainer, various body sizes.

MIL-HDBK-1861B

W/CHANGE 1

DRAFT DATE: 01 AUGUST 2014

APPENDIX D

TABLE D-XIII. Card holders, 7 body wedge retainer, .225 x .225 inch (5.72 x 5.72 mm) body size.

Mounting length (L)		Body size (W x H)		Number of mounting holes	CID PIN ^{1/}
Inch	mm	Inch	mm		
4.8	122	.225 x .225	5.72 x 5.72	2 or 3	A-A-59950/01&*48#, /02&*48#
5.3	135	.225 x .225	5.72 x 5.72	2 or 3	A-A-59950/01&*53#, /02&*53#
5.8	147	.225 x .225	5.72 x 5.72	2 or 3	A-A-59950/01&*58#, /02&*58#
6.3	160	.225 x .225	5.72 x 5.72	2 or 3	A-A-59950/01&*63#, /02&*63#
6.8	173	.225 x .225	5.72 x 5.72	2 or 3	A-A-59950/01&*68#, /04&*68#
7.3	185	.225 x .225	5.72 x 5.72	2 or 3	A-A-59950/01&*73#, /02&*73#
7.8	198	.225 x .225	5.72 x 5.72	2 or 3	A-A-59950/01&*78#, /02&*78#

^{1/} The ampersand (&) represents the configuration, the asterisk (*) represents the four various finishes, and the number sign (#) represents the four mounting hole options.

TABLE D-XIV. Card holders, 7 body wedge retainer, .250 x .260 inch (6.35 x 6.61 mm) body size.

Mounting length (L)		Body size (W x H)		Number of mounting holes	CID PIN ^{1/}
Inch	mm	Inch	mm		
4.8	122	.250 x .260	6.35 x 6.61	2 or 3	A-A-59950/03&*48#, /04&*48#
5.3	135	.250 x .260	6.35 x 6.61	2 or 3	A-A-59950/03&*53#, /04&*53#
5.8	147	.250 x .260	6.35 x 6.61	2 or 3	A-A-59950/03&*580#, /04&*58#
6.3	160	.250 x .260	6.35 x 6.61	2 or 3	A-A-59950/03&*63#, /04&*63#
6.8	173	.250 x .260	6.35 x 6.61	2 or 3	A-A-59950/03&*68#, /04&*68#
7.3	185	.250 x .260	6.35 x 6.61	2 or 3	A-A-59950/03&*73#, /04&*73#
7.8	198	.250 x .260	6.35 x 6.61	2 or 3	A-A-59950/03&*78#, /04&*78#

^{1/} The ampersand (&) represents the configuration, the asterisk (*) represents the four various finishes, and the number sign (#) represents the four mounting hole options.

MIL-HDBK-1861B
W/CHANGE 1
DRAFT DATE: 01 AUGUST 2014

APPENDIX D

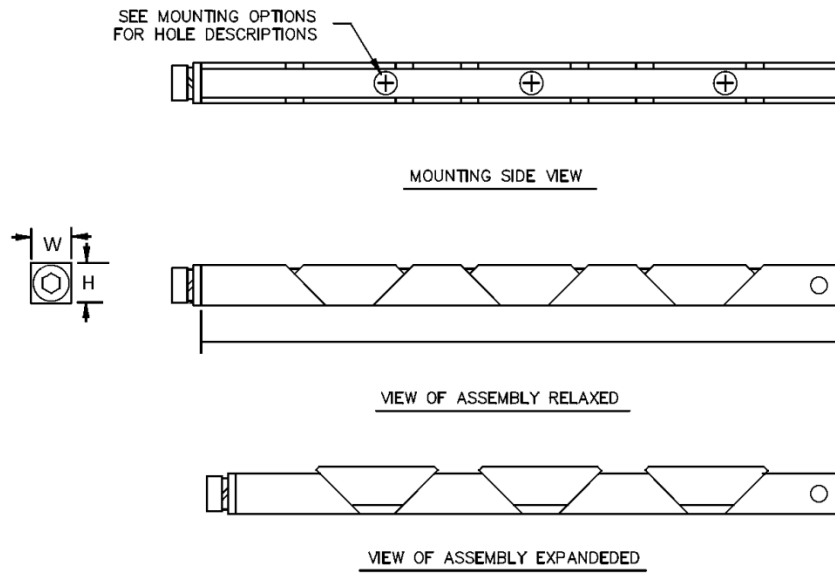


FIGURE D-5. Card holders, 7 body wedge retainer, various body sizes.

MIL-HDBK-1861B

W/CHANGE 1

DRAFT DATE: 01 AUGUST 2014

APPENDIX E

EXTRACTORS AND RETAINER-EJECTORS

E.1. SCOPE

E.1.1 Scope. The following appendix includes all active card guides. The parts described by these commercial item descriptions and drawings and are used to supplement Military specifications.

E.2. EXTRACTORS AND RETAINER-EJECTORS

E.2.1 Metal extractors. Metal extractor selections are found in tables E-I through E-II.

E.2.2 Heavy duty metal extractors. Heavy duty metal extractor selections are found in table E-III.

E.2.3 Retainer-ejectors. Plastic retainer-ejector selections are found in table E-IV.

TABLE E-I. Extractor, electrical card, metal, without locking tab.

Slot width		Configuration	CID PIN ^{1/}
Inch	mm		
.040	1.02	Angled handle, without locking tab	AA59832/05L11#*\$, AA59832/05R11#*\$
.075	1.91		AA59832/05L21#*\$, AA59832/05R21#*\$
.105	2.67		AA59832/05L31#*\$, AA59832/05R31#*\$
.142	3.61		AA59832/05L41#*\$, AA59832/05R41#*\$
.165	4.19		AA59832/05L51#*\$, AA59832/05R51#*\$
.040	1.02	Angled handle, with bent leg without locking tab	AA59832/05M11#*\$, AA59832/05Q11#*\$
.075	1.91		AA59832/05M21#*\$, AA59832/05Q21#*\$
.105	2.67		AA59832/05M31#*\$, AA59832/05Q31#*\$
.142	3.61		AA59832/05M41#*\$, AA59832/05Q41#*\$
.165	4.19		AA59832/05M51#*\$, AA59832/05Q51#*\$
.040	1.02	Straight handle, without locking tab	AA59832/06L11#*\$, AA59832/06R11#*\$
.075	1.91		AA59832/06L21#*\$, AA59832/06R21#*\$
.105	2.67		AA59832/06L31#*\$, AA59832/06R31#*\$
.142	3.61		AA59832/06L41#*\$, AA59832/06R41#*\$
.165	4.19		AA59832/06L51#*\$, AA59832/06R51#*\$
.040	1.02	Straight handle, with bent leg without locking tab	AA59832/06M11#*\$, AA59832/06Q11#*\$
.075	1.91		AA59832/06M21#*\$, AA59832/06Q21#*\$
.105	2.67		AA59832/06M31#*\$, AA59832/06Q31#*\$
.142	3.61		AA59832/06M41#*\$, AA59832/06Q41#*\$
.165	4.19		AA59832/06M51#*\$, AA59832/06Q51#*\$

^{1/} The number sign (#) represents the material, the asterisk (*) represents protective finish and the dollar sign (\$) represents the color. See the respective document for a complete listing of materials, protective finishes, and colors.

MIL-HDBK-1861B

W/CHANGE 1

DRAFT DATE: 01 AUGUST 2014

APPENDIX E

TABLE E-II. Extractor, electrical card, metal, with locking tab.

Slot width		Configuration	DESC PIN <u>1/</u>
Inch	mm		
.040	1.02	Angled handle, with lock tab	84191-09*#, 84191-10*#
.075	1.91		84191-11*#, 84191-12*#
.105	2.67		84191-13*#, 84191-14*#
.142	3.61		84191-15*#, 84191-16*#
.165	4.19		84191-35*#, 84191-36*#
.040	1.02	Straight handle, with lock tab	84191-17*#, 84191-18*#
.075	1.91		84191-19*#, 84191-20*#
.105	2.67		84191-21*#, 84191-22*#
.142	3.61		84191-23*#, 84191-24*#
.165	4.19		84191-37*#, 84191-38*#

1/ The asterisk (*) represents protective finish and the number sign (#) represents the material. The finish options are black anodize (designator B), chemical film (designator C), chemical film with the electronic sensitive device symbol (designator E), and passivation (designator P) for corrosion stainless steel parts. The material options are aluminum alloy 5052-H32 (designator A), aluminum alloy 6061-T6 (designator T), and type 301 stainless steel (designator S).

MIL-HDBK-1861B

W/CHANGE 1

DRAFT DATE: 01 AUGUST 2014

APPENDIX E

TABLE E-III. Extractor, electrical card, metal, heavy duty.

Slot width		Configuration	CID PIN ^{1/}
Inch	mm		
.048	1.22	Non-locking, mechanical advantage of 5.5:1	AA59832/01AF1\$#
.080	2.03	Non-locking, mechanical advantage of 5.5:1	AA59832/01AS1\$#
.110	2.79	Non-locking, mechanical advantage of 5.5:1	AA59832/01AT1\$#
.140	3.56	Non-locking, mechanical advantage of 5.5:1	AA59832/01AE1\$#
.048	1.22	Non-locking, mechanical advantage of 3.3:1	AA59832/02SF1\$#
.080	2.03	Non-locking, mechanical advantage of 3.3:1	AA59832/02SS1\$#
.110	2.79	Non-locking, mechanical advantage of 3.3:1	AA59832/02ST1\$#
.140	3.56	Non-locking, mechanical advantage of 3.3:1	AA59832/02SE1\$#
.048	1.22	Non-locking, mechanical advantage of 4.2:1	AA59832/02MF1\$#
.080	2.03	Non-locking, mechanical advantage of 4.2:1	AA59832/02MS1\$#
.110	2.79	Non-locking, mechanical advantage of 4.2:1	AA59832/02MT1\$#
.140	3.56	Non-locking, mechanical advantage of 4.2:1	AA59832/02ME1\$#
.048	1.22	Non-locking, mechanical advantage of 7:1	AA59832/02LF1\$#
.080	2.03	Non-locking, mechanical advantage of 7:1	AA59832/02LS1\$#
.110	2.79	Non-locking, mechanical advantage of 7:1	AA59832/02LT1\$#
.140	3.56	Non-locking, mechanical advantage of 7:1	AA59832/02LE1\$#
.080	2.03	Locking, mechanical advantage of 4.2:1	AA59832/03LS1\$#
.110	2.79	Locking, mechanical advantage of 4.2:1	AA59832/03LT1\$#
.140	3.56	Locking, mechanical advantage of 4.2:1	AA59832/03LE1\$#
.080	2.03	Locking, mechanical advantage of 7:1	AA59832/03LS1\$#
.110	2.79	Locking, mechanical advantage of 7:1	AA59832/03LT1\$#
.140	3.56	Locking, mechanical advantage of 7:1	AA59832/03LE1\$#

^{1/} The dollar sign (\$) represents protective finish and the number sign (#) represents color. The finish options are anodize (designator A) and chemical film (designator C). The color options are black (designator B) and red (designator R) for anodize and clear (designator C) or gold (designator G) for chemical film.

MIL-HDBK-1861B

W/CHANGE 1

DRAFT DATE: 01 AUGUST 2014

APPENDIX E

TABLE E-IV. Retainer-ejector, electrical card, plastic.

Slot width		Material	DESC drawing PIN <u>1/</u>
Inch	mm		
.075	1.91	Nylon	83023-01*
.075	1.91	Nylon	83023-02*
.075	1.91	Nylon	83023-03*
.075	1.91	Nylon	83023-04*
.105	2.67	Nylon	83023-05*
.105	2.67	Nylon	83023-06*
.105	2.67	Nylon	83023-07*
.100	2.54	Nylon	83023-08*
.075	1.91	Glass filled nylon	83023-09*
.140	3.56	Glass filled nylon	83023-10*
.075	1.91	Glass filled nylon	83023-11*
.075	1.91	Glass filled nylon	83023-12*
.070	1.78	Nylon	83023-13*
.075	1.91	Glass filled polycarbonate	83023-14*
.070	1.78	Nylon	83023-15*
.100	2.54	Nylon	83023-16*
.140	3.56	Glass filled polycarbonate	83023-17*
.070	1.78	Nylon	83023-18*
.075	1.91	Nylon	83023-19*
.100	2.54	Nylon	83023-20*
.140	3.56	Nylon	83023-21*
.075	1.91	Nylon	83023-22*
.075	1.91	Nylon	83023-23*
.075	1.91	Glass filled polycarbonate	83023-24*
.100	2.54	Glass filled polycarbonate	83023-25*
.074	1.89	Glass filled polycarbonate	83023-26*
.100	2.54	Glass filled polycarbonate	83023-27*
.140	3.56	Glass filled polycarbonate	83023-28*

1/ The asterisk (*) represents one of six colors available.

MIL-HDBK-1861B
W/CHANGE 1
DRAFT DATE: 01 AUGUST 2014

Custodians:
Army – CR
Navy – EC
Air Force – 85
DLA – CC

Preparing activity:
DLA – CC

Project 5998-2014-011

Review activity:
Air Force – 99

NOTE: The activities listed above were interested in this document as of the date of this document. Since organizations and responsibilities can change, you should verify the currency of the information above using the ASSIST Online database at <https://assist.dla.mil>.