

INCH-POUND

MIL-HDBK-1861A
w/CHANGE 3
24 February 2010
SUPERSEDING
MIL-HDBK-1861A
w/CHANGE 2
24 December 2008

DEPARTMENT OF DEFENSE HANDBOOK

SELECTION AND USE OF ELECTRICAL AND ELECTRONIC ASSEMBLIES, BOARDS, CARDS, AND ASSOCIATED HARDWARE



This handbook is for guidance only. Do not cite this document as a requirement.

MIL-HDBK-1861A

w/CHANGE 3

FOREWORD

1. This handbook is approved for use by all Departments and Agencies of the Department of Defense.
2. This handbook is for guidance only. This handbook cannot be cited as a requirement. If it is, the contractor does not have to comply.
3. This handbook provides a list of electrical and electronic assemblies, boards, cards, and associated hardware for use in the design of Department of Defense equipment. The application information and performance characteristics contained in this handbook are offered for guidance and are not to be considered as binding. Additions to this handbook will be made periodically as the referenced documents are updated.
4. Comments, suggestions, or questions on this document should be addressed to: Defense Supply Center, Columbus, ATTN: DSCC-VAC, Post Office Box 3990, Columbus, OH 43218-3990 or emailed to 5998.Documents@dla.mil. Since contact information can change, you may want to verify the currency of this address information using the ASSIST Online database at <https://assist.daps.dla.mil/>.

SUMMARY OF CHANGE 3 MODIFICATIONS

1. Section 2, added reference to commercial item description [A-A-59832](#).
2. Section 5, added new paragraph to address high frequency and high speed printed boards.
3. Section 5, added new paragraph to address metal extractors.
4. Table XXVI was added to address parts covered by commercial item description [A-A-59832](#).

The following modifications to MIL-HDBK-1861A have been made:

<u>PARAGRAPH</u>	<u>MODIFICATION</u>
2.2.1	Changed
5.1.4	Added
5.3.2	Added
Table XXVI	Added

MIL-HDBK-1861A

w/CHANGE 3

CONTENTS

<u>PARAGRAPH</u>	<u>PAGE</u>
<u>FOREWORD</u>	ii
1. <u>SCOPE</u>	1
1.1 Scope	1
1.2 Purpose	1
2. <u>APPLICABLE DOCUMENTS</u>	1
2.1 General.....	1
2.2 Government documents	1
2.2.1 Specifications, standards, and handbooks	1
2.2.2 Other Government documents, drawings, and publications	2
2.3 Non-Government publications	2
2.4 Order of precedence.....	2
3. <u>DEFINITIONS</u>	2
3.1 Definitions.....	2
3.1.1 Commercial Item Description (CID)	2
3.1.2 DSCC drawing.....	2
3.1.3 General specification	3
3.1.4 Military Parts Control Advisory Group (MPCAG)	3
3.1.5 Part or Identifying Number (PIN).....	3
3.1.6 Qualified Manufacturer List (QML).....	3
3.1.7 Qualified Products List (QPL)	3
3.2 Other terms and definitions.....	3
4. <u>GENERAL GUIDANCE</u>	3
4.1 Item identification.....	3
4.2 Conflict of requirements.....	3
4.3 Criteria for inclusion in this handbook.....	3
4.4 Order of preference	3
5. <u>DESIGN GUIDANCE</u>	4
5.1 Printed circuit and printed wiring boards.....	4
5.1.1 Printed board size.....	4
5.1.2 Rigid printed circuit and printed wiring boards	4
5.1.3 Flexible and rigid-flex printed wiring.....	4
5.1.4 High frequency and high speed printed wiring.....	4
5.2 Circuit card assemblies.....	4
5.2.1 Backplane assemblies	4
5.2.2 Metal electrical backplane assemblies.....	4

MIL-HDBK-1861A

w/CHANGE 3

CONTENTS

<u>PARAGRAPH</u>		<u>PAGE</u>
5.3	Associated circuit card assembly hardware	4
5.3.1	Holders, electrical card	4
5.3.1.1	Card guides	4
5.3.1.2	Card holders (wedge retainers)	4
5.3.1.2.1	Three wedge retainers	4
5.3.1.2.2	Five wedge retainers	4
5.3.2	Extractors and retainer-ejectors	4
5.3.2.1	Plastic extractors	4
5.3.2.2	Metal extractors	4
6.	<u>NOTES</u>	5
6.1	Intended use	5
6.2	Subject term (key word) listing	5
6.3	Changes from previous issue	5
<u>FIGURE</u>		
1	Card guides, metal, medium profile, with center mounting hole	10
2	Relaxed and expanded dimensions, lever actuated card holders	19
3	Relaxed and expanded dimensions, ejection action card holders	20
4	Relaxed and expanded dimensions, screw actuated card holders	21
5	Card holders, 5 body wedge retainer, various body sizes	26
<u>TABLE</u>		
I.	Card guides, metal, with 2 offset mounting holes	6
I-1.	Card guides, metal, with 2 center mounting holes or studs	8
II.	Card guides, metal, with 3 offset mounting holes	9
II-1.	Card guides, metal, with 3 offset mounting holes	11
II-2.	Card guides, metal, with 3 center mounting holes or studs	12
III.	Card guides, metal, slot width .0625 inch (1.59 mm)	13
IV.	Card guides, metal, slot width .0937 inch (2.38 mm)	14
V.	Card guides, metal, slot width .125 inch (3.18 mm)	15
VI.	Card holders, metal, screw actuated, slot width .025 to .079 inch (0.64 to 2.01 mm)	16
VII.	Card holders, metal, screw actuated, slot width .080 to .145 inch (2.03 to 3.68 mm)	17
VIII.	Card holders, metal, lever actuated, slot width .211 inch (5.36 mm) + PWB thickness ...	18
IX.	Card guide, plastic, pylon mounted, shallow slot, slot width .078 inch (1.98 mm)	18

MIL-HDBK-1861A

w/CHANGE 3

CONTENTS

<u>TABLE</u>		<u>PAGE</u>
X.	Card guide, plastic, pylon mounted, deep slot, slot width .080 to .132 inch (2.0 to 3.4 mm)	19
XI.	Card guide, plastic, plastic, slot width .050 to .100 inch (1.27 to 2.54 mm)	19
XII.	Card guide, plastic, fastener mounted, shallow slot, slot width .070 inch (1.78 mm).....	19
XIII.	Card holders, 3 body wedge retainers, with lever action locking	20
XIV.	Card holders, 3 body wedge retainers, with ejection action.....	21
XV.	Card holders, 3 body wedge retainer, .225 by .260 inch (5.72 x 6.61 mm) body size	22
XVI.	Card holders, 3 body wedge retainer, .220 by .220 inch (5.59 x 5.9 mm) body size	23
XVII.	Card holders, 3 body wedge retainer, .240 by .180 inch (6.1 x 4.57 mm) body size	24
XVIII.	Card holders, 3 body wedge retainer, .375 by .375 inch (9.53 x 9.53 mm) body size	24
XIX.	Card holders, 3 body wedge retainer, .260 by .260 inch (6.61 x 6.61 mm) body size	25
XX.	Card holders, 3 body wedge retainer, .500 by .450 inch (12.7 x 11.43 mm) body size ...	25
XXI.	Card holders, 3 body wedge retainer, various body sizes	25
XXII.	Card holders, 5 body wedge retainer, .250 by .260 (6.35 x 6.61 mm) body size.....	26
XXIII.	Card holders, 5 body wedge retainer, various body sizes	26
XXIII-1.	Card holders, 5 body wedge retainer, various body sizes	27
XXIV.	Retainer-ejector, electrical card, plastic	28
XXV.	Extractor, electrical card, metal	29
XXVI.	Extractor, electrical card, metal, heavy duty	30

MIL-HDBK-1861A

w/CHANGE 3

This page intentionally left blank.

MIL-HDBK-1861A

w/CHANGE 3

1. SCOPE

1.1 Scope. This handbook is for guidance only and cannot be cited as a requirement. If it is, the contractor does not have to comply. This handbook consists of the following:

- a. Selected standard items, for use in the design and manufacturer of Department of Defense equipment under the jurisdiction of the Department of Defense.
- b. Guides for the choice and application of items for use in Department of Defense equipment.

1.2 Purpose of this handbook.

- a. To provide the equipment designer with a selection of standard items for use in most Department of Defense applications.
- b. To control and minimize the variety of items used in Department of Defense equipment in order to facilitate logistic support of equipment in the field.
- c. To outline criteria pertaining to the use, choice, and application of items in Department of Defense equipment.

2. APPLICABLE DOCUMENTS

2.1 General. The documents listed below are not necessarily all of the documents referenced herein, but are those needed to understand the information provided by this handbook.

2.2 Government documents.

2.2.1 Specifications, standards, and handbooks. The following specifications, standards, and handbooks form a part of this document to the extent specified herein.

DEPARTMENT OF DEFENSE SPECIFICATIONS

- | | | |
|-------------------------------|---|---|
| MIL-A-24741 | - | Assemblies, Metal Electrical Backplane, One and Two Layer, General Specification for. |
| MIL-A-28870 | - | Assemblies, Electrical Backplane, Printed Wiring, General Specification for. |
| MIL-PRF-31032 | - | Printed Circuit Board/Printed Wiring Board, General Specification for. |
| A-A-55563 | - | Holder, Electrical Card, Metal Card Guide, General Requirements for. |
| A-A-59590 | - | Holder, Electrical Card, Wedge Retainers, 3 Piece, Screw Actuate Drive, General Requirements for. |
| A-A-59789 | - | Holder, Electrical Card, Wedge Retainers, 5 Piece, For Cold Plate Applications, General Requirements for. |
| A-A-59812 | - | Holder, Electrical Card, Metal Card Guide, Multiple Piece, General Requirements for. |
| A-A-59832 | - | Extractor, Electrical Card, Metal, General Requirements for. |

DEPARTMENT OF DEFENSE STANDARDS

- | | | |
|--------------|---|---|
| MIL-STD-2119 | - | Design Requirements for Printed-Wiring Electrical Backplane Assemblies. |
| MIL-STD-2198 | - | Design Requirements for Metal Electrical Backplane Assemblies. |

(Copies of these documents are available online at <https://assist.daps.dla.mil/quicksearch/> or <https://assist.daps.dla.mil/> or from the Standardization Document Order Desk, 700 Robbins Avenue, Building 4D, Philadelphia, PA 19111-5094).

MIL-HDBK-1861A

w/CHANGE 3

2.2.2 Other Government documents, drawings, and publications. The following other Government documents, drawings, and publications form a part of this document to the extent specified herein.

DRAWINGS

- 83023 – Retainer–Ejector, Electrical Card, Plastic.
- 84006 – Holder, Electrical Card, Card Guide, Shallow Channel, Plastic.
- 84101 – Holder, Electrical Card, Card Guide, Deep Channel, Plastic.
- 84103 – Holder, Electrical Card, Wedge Retainer, 3–Piece, Screw Actuated.
- 84168 – Holder, Electrical Card, Card Guide–Retainer, Lever Actuated, Metal.
- 84191 – Extractor, Electrical Card, Metal.
- 85033 – Holder, Electrical Card, Metal Card Guide, Zero Insertion Force.
- 85034 – Holder, Electrical Card, Metal, Card Guide.
- 85067 – Holder, Electrical Card, Card Guide, Non–Conductive Plastic, Anti–vibration.
- 85068 – Holder, Electrical Card, Card Guide, Plastic, Fastener Mounted.
- 86092 – Holder, Electrical Card, Card Guide–Retainer, Lever Actuated, Metal.
- 88052 – Holder, Electrical Card, Card Guide–Retainer, Screw Actuated, Metal.
- 89024 – Holder, Electrical Card, Wedge Retainer, 5–Piece, .250 Inch By .260 Inch Body Size.
- 89029 – Holder, Electrical Card, Card Guide, Conductive Plastic, Anti–vibration.
- 89064 – Holder, Electrical Card, Wedge Retainer, 5–Piece, .225 Inch by .225 Inch and .225 Inch By .260 Inch Body Size.

(Copies of these documents are available online at <http://www.dsccl.dla.mil/programs/milspec/> or from the Defense Supply Center, Columbus, ATTN: DSCC–VT, 3990 East Broad Street, Columbus, OH 43218–3990)

2.3 Non–Government publications. The following documents form a part of this document to the extent specified herein.

IPC – ASSOCIATION CONNECTING ELECTRONICS INDUSTRIES (IPC)

- IPC–2221 – Generic Standard on Printed Board Design.
- IPC–T–50 – Terms and Definitions for Interconnecting and Packaging Electronic Circuits.
- IPC–D–322 – Guidelines for Selecting Printed Wiring Board Sizes Using Standard Panel Sizes.

(Application for copies should be addressed to IPC – Association Connecting Electronics Industries, 3000 Lakeside Drive, Suite 309 S, Bannockburn, IL 60015–1249 or <http://www.ipc.org/>.)

2.4 Order of precedence. Unless otherwise noted herein or in the contract, in the event of a conflict between the text of this document and the references cited herein, the text of this document takes precedence. Nothing in this document, however, supersedes applicable laws and regulations unless a specific exemption has been obtained.

3. DEFINITIONS

3.1 Definitions.

3.1.1 Commercial Item Description (CID). A simplified product description that describes, by functional or performance characteristics, the available, acceptable commercial products that will satisfy the Government's needs.

3.1.2 DSCC drawing. A standardization document developed by, and available from, the Defense Supply Center, Columbus.

MIL-HDBK-1861A

w/CHANGE 3

3.1.3 General specification. A general specification is prepared in the six-section format and covers requirements and test procedures that are common to a group of parts, materials, or equipment. It is used with specification sheets and master drawings; e.g., [MIL-PRF-31032](#) for printed boards.

3.1.4 Military Parts Control Advisory Group (MPCAG). A DoD organization which provides advice to the Department of Defense departments and contractors on the selection of parts in assigned commodity classes, and collects data on nonstandard parts for developing and updating Department of Defense specifications and standards.

3.1.5 Part or Identifying Number (PIN). Formerly part number (P/N).

3.1.6 Qualified Manufacturer List (QML). A document maintained by the Government qualifying activity which lists vendors who are officially approved by the Government.

3.1.7 Qualified Products List (QPL). A document maintained by the Government qualifying activity which lists vendors whose products are officially approved by the Government.

3.2 Other terms and definitions. Other terms and definitions may be found in IPC-T-50.

4. GENERAL GUIDANCE

4.1 Item identification. PIN's and type designations are used to identify the items listed in this handbook and in the individual specifications.

4.2 Conflict of requirements. In the event of conflict between the technical requirements of items described in this handbook and the applicable specification or DSCC drawing, the specification or DSCC drawing should govern.

4.3 Criteria for inclusion in this handbook. The criteria for inclusion in this handbook are as follows:

- a. The items are classified in FSC 5998.
- b. The items are for general use in DoD equipment.
- c. The items are covered by CIDs, DoD specifications, or DSCC drawings.
- d. The items are available from at least one source.
- e. The items are to be used for design purposes in new equipment.

4.4 Order of preference. The order of preference is as follows:

- a. Non-Government Standard (NGS) parts.
- b. CID parts.
- c. DoD QML specification parts.
- d. DoD QPL specification parts.
- e. DoD drawing parts.
- f. Other parts.

MIL-HDBK-1861A

w/CHANGE 3

5. DESIGN GUIDANCE

5.1 Printed circuit and printed wiring boards.

5.1.1 Printed board size. Whenever cost and technical requirements permit, preferred rigid printed wiring board sizes should be used. These printed wiring board sizes will facilitate the development and use of standardized insertion and extraction tools. The preferred printed wiring board sizes, are detailed in IPC-2221. Additional guidelines for selecting printed wiring board sizes can be found in IPC-D-322.

5.1.2 Rigid printed circuit and printed wiring boards. Rigid printed circuit and printed wiring boards for single-sided, double-sided, and multilayer printed wiring conformance information can be found in [MIL-PRF-31032](#).

5.1.3 Flexible and rigid-flex printed wiring. Flexible and rigid-flex printed wiring conformance information can be found in [MIL-PRF-31032](#).

5.1.4 High frequency and high speed printed wiring. The conformance information for printed wiring boards designed for high frequency and high speed applications can be found in [MIL-PRF-31032](#).

5.2 Circuit card assemblies.

5.2.1 Backplane assemblies, printed wiring. Electrical backplane printed wiring assemblies conformance information can be found in MIL-A-28870 and design information can be found in MIL-STD-2119.

5.2.2 Metal electrical backplane assemblies. Metal electrical backplane assemblies conformance information can be found in MIL-A-24741 and design information can be found in MIL-STD-2198.

5.3 Associated circuit card assembly hardware.5.3.1 Holders, electrical card.

5.3.1.1 Card guides. Circuit card assembly card guide selections are found in tables [I](#) through [VIII](#) for metal card guides, and tables [IX](#) through [XII](#) for plastic card guides.

5.3.1.2 Card holders (wedge retainers).

5.3.1.2.1 Three wedge retainers. Three body wedge circuit card assembly retainers are found in tables [XIII](#) through [XXI](#).

5.3.1.2.2 Five wedge retainers. Five body wedge circuit card assembly retainers are found in tables [XXII](#) through [XXIII-1](#).

5.3.2 Extractors and retainer-ejectors.

5.3.2.1 Plastic extractors. Plastic extractor and retainer-ejector selections are found in table [XXIV](#).

5.3.2.2 Metal extractors. Metal extractor and retainer-ejector selections are found in tables [XXV](#) through [XXVI](#).

MIL-HDBK-1861A

w/CHANGE 3

6. NOTES

6.1 Intended use. The purpose of this handbook is to provide standardized guidance in the preparation of DoD standards, handbooks, drawings, and bulletins to ensure the inclusion of data and descriptions essential to the selection and application of items and processes, and to aid in the use and analysis of DoD standardization documents.

6.2 Subject term (key word) listings.

Backplane assembly
Circuit card assembly
Extractor, electrical card
Holder, electrical card
Printed circuit board
Printed wiring board
Retainer-ejector, electrical card

6.3 Changes from previous issue. The margins of this handbook are marked with vertical lines to indicate where changes from the previous issue were made. This was done as a convenience only and the Government assumes no liability whatsoever for any inaccuracies in these notations.

MIL-HDBK-1861A

w/CHANGE 3

TABLE I. Card guides, metal, with 2 offset mounting holes.

Overall length		Style	CID classification PIN 1/
Inch	mm		
1.4	35	Low profile, open ended w/flared entry	AA55563/19@A14&
		Low profile, open ended wo/flared entry	AA55563/20@A14&
2.0	51	Open ended, w/flared entry	AA55563/01@A20&
		Open ended, wo/flared entry	AA55563/02@A20&
		Closed ended, w/flared entry	AA55563/03@A20&
		Closed ended, wo/flared entry	AA55563/04@A20&
		Low profile, open ended w/flared entry	AA55563/05@A20&, /13@20&
		Low profile, open ended wo/flared entry	AA55563/06@A20&, /14@20&
2.5	64	Open ended, w/flared entry	AA55563/01@A25&
		Open ended, wo/flared entry	AA55563/02@A25&
		Closed ended, w/flared entry	AA55563/03@A25&
		Closed ended, wo/flared entry	AA55563/04@A25&
		Low profile, open ended w/flared entry	AA55563/05@A25&, /13@25&, /17@25&
		Low profile, open ended wo/flared entry	AA55563/06@A25&, /14@25&
3.0	76	Open ended, w/flared entry	AA55563/01@A30&
		Open ended, wo/flared entry	AA55563/02@A30&
		Closed ended, w/flared entry	AA55563/03@A30&
		Closed ended, wo/flared entry	AA55563/04@A30&
		Low profile, open ended w/flared entry	AA55563/05@A30&, /13@30&, /17@30&
		Low profile, open ended wo/flared entry	AA55563/06@A30&, /14@30&
3.5	89	Open ended, w/flared entry	AA55563/01@A35&
		Open ended, wo/flared entry	AA55563/02@A35&
		Closed ended, w/flared entry	AA55563/03@A35&
		Closed ended, wo/flared entry	AA55563/04@A35&
		Low profile, open ended w/flared entry	AA55563/05@A35&, /13@35&, /17@35&
		Low profile, open ended wo/flared entry	AA55563/06@A35&, /14@35&
4.0	102	Open ended, w/flared entry	AA55563/01@A40&
		Open ended, wo/flared entry	AA55563/02@A40&
		Closed ended, w/flared entry	AA55563/03@A40&
		Closed ended, wo/flared entry	AA55563/04@A40&
		Low profile, open ended w/flared entry	AA55563/05@A40&, /13@40&, /17@40&
		Low profile, open ended wo/flared entry	AA55563/06@A40&, /14@40&
4.5	114	Open ended, w/flared entry	AA55563/01@A45&
		Open ended, wo/flared entry	AA55563/02@A45&
		Closed ended, w/flared entry	AA55563/03@A45&
		Closed ended, wo/flared entry	AA55563/04@A45&
		Low profile, open ended w/flared entry	AA55563/05@A45&, /13@45&, /17@45&
		Low profile, open ended wo/flared entry	AA55563/06@A45&, /14@45&

See footnote at end of table.

MIL-HDBK-1861A

w/CHANGE 3

TABLE I. Card guides, metal, with 2 offset mounting holes – Continued.

Overall length		Style	CID classification PIN ^{1/}
Inch	mm		
5.0	127	Open ended, w/flared entry	AA55563/01 @A50&
		Open ended, wo/flared entry	AA55563/02 @A50&
		Closed ended, w/flared entry	AA55563/03 @A50&
		Closed ended, wo/flared entry	AA55563/04 @A50&
		Low profile, open ended w/flared entry	AA55563/05 @A50&, /13@50&, /17@50&
		Low profile, open ended wo/flared entry	AA55563/06 @A50&, /14@50&
5.5	140	Open ended, w/flared entry	AA55563/01 @A55&
		Open ended, wo/flared entry	AA55563/02 @A55&
		Closed ended, w/flared entry	AA55563/03 @A55&
		Closed ended, wo/flared entry	AA55563/04 @A55&
		Low profile, open ended w/flared entry	AA55563/05 @A55&, /13@55&, /17@55&
		Low profile, open ended wo/flared entry	AA55563/06 @A55&, /14@55&
6.0	152	Open ended, w/flared entry	AA55563/01 @A60&
		Open ended, wo/flared entry	AA55563/02 @A60&
		Closed ended, w/flared entry	AA55563/03 @A60&
		Closed ended, wo/flared entry	AA55563/04 @A60&
		Low profile, open ended w/flared entry	AA55563/05 @A60&, /13@60&, /17@60&
		Low profile, open ended wo/flared entry	AA55563/06 @A60&, /14@60&
6.5	165	Open ended, w/flared entry	AA55563/01 @A20&
		Open ended, wo/flared entry	AA55563/02 @A20&
		Closed ended, w/flared entry	AA55563/03 @A20&
		Closed ended, wo/flared entry	AA55563/04 @A20&
		Low profile, open ended w/flared entry	AA55563/05 @A20&, /13@20&
		Low profile, open ended wo/flared entry	AA55563/06 @A20&, /14@20&
7.0	178	Open ended, w/flared entry	AA55563/01 @A70&
		Open ended, wo/flared entry	AA55563/02 @A70&
		Closed ended, w/flared entry	AA55563/03 @A70&
		Closed ended, wo/flared entry	AA55563/04 @A70&
		Low profile, open ended w/flared entry	AA55563/05 @A70&, /13@70&
		Low profile, open ended wo/flared entry	AA55563/06 @A70&, /14@70&
7.5	191	Open ended, w/flared entry	AA55563/01 @A75&
		Open ended, wo/flared entry	AA55563/02 @A75&
		Closed ended, w/flared entry	AA55563/03 @A75&
		Closed ended, wo/flared entry	AA55563/04 @A75&
		Low profile, open ended w/flared entry	AA55563/05 @A75&, /13@75&
		Low profile, open ended wo/flared entry	AA55563/06 @A75&, /14@75&

^{1/} The at sign (@) represents one of the four materials available, the letter "A" represents one of three materials available, and the ampersands (&) represents the one of the 11 protective finishes available.

MIL-HDBK-1861A

w/CHANGE 3

TABLE I-1. Card guides, metal, with 2 center mounting holes or studs.

Overall length		Style	CID classification PIN 1/
Inch	mm		
2.0	51	Hole mounted, left hand facing	AA59812/01L20\$&; AA59812/02L20\$&;
		Hole mounted, right hand facing	AA59812/01R20\$&; AA59812/02L20\$&;
		Stud mounted, left hand facing	AA59812/01S20\$&; AA59812/02L20\$&;
		Stud mounted, right hand facing	AA59812/01T20\$&; AA59812/02L20\$&;
2.5	64	Hole mounted, left hand facing	AA59812/01L25\$&; AA59812/02L25\$&;
		Hole mounted, right hand facing	AA59812/01R25\$&; AA59812/02L25\$&;
		Stud mounted, left hand facing	AA59812/01S25\$&; AA59812/02L25\$&;
		Stud mounted, right hand facing	AA59812/01T25\$&; AA59812/02L25\$&;
3.0	76	Hole mounted, left hand facing	AA59812/01L30\$&; AA59812/02L30\$&;
		Hole mounted, right hand facing	AA59812/01R30\$&; AA59812/02L30\$&;
		Stud mounted, left hand facing	AA59812/01S30\$&; AA59812/02L30\$&;
		Stud mounted, right hand facing	AA59812/01T30\$&; AA59812/02L30\$&;
3.5	89	Hole mounted, left hand facing	AA59812/01L35\$&; AA59812/02L35\$&;
		Hole mounted, right hand facing	AA59812/01R35\$&; AA59812/02L35\$&;
		Stud mounted, left hand facing	AA59812/01S35\$&; AA59812/02L35\$&;
		Stud mounted, right hand facing	AA59812/01T35\$&; AA59812/02L35\$&;
4.0	102	Hole mounted, left hand facing	AA59812/01L40\$&; AA59812/02L40\$&;
		Hole mounted, right hand facing	AA59812/01R40\$&; AA59812/02L40\$&;
		Stud mounted, left hand facing	AA59812/01S40\$&; AA59812/02L40\$&;
		Stud mounted, right hand facing	AA59812/01T40\$&; AA59812/02L40\$&;
4.5	114	Hole mounted, left hand facing	AA59812/01L45\$&; AA59812/02L45\$&;
		Hole mounted, right hand facing	AA59812/01R45\$&; AA59812/02L45\$&;
		Stud mounted, left hand facing	AA59812/01S45\$&; AA59812/02L45\$&;
		Stud mounted, right hand facing	AA59812/01T45\$&; AA59812/02L45\$&;
5.0	127	Hole mounted, left hand facing	AA59812/01L50\$&; AA59812/02L50\$&;
		Hole mounted, right hand facing	AA59812/01R50\$&; AA59812/02L50\$&;
		Stud mounted, left hand facing	AA59812/01S50\$&; AA59812/02L50\$&;
		Stud mounted, right hand facing	AA59812/01T50\$&; AA59812/02L50\$&;
5.5	140	Hole mounted, left hand facing	AA59812/01L55\$&; AA59812/02L55\$&;
		Hole mounted, right hand facing	AA59812/01R55\$&; AA59812/02L55\$&;
		Stud mounted, left hand facing	AA59812/01S55\$&; AA59812/02L55\$&;
		Stud mounted, right hand facing	AA59812/01T55\$&; AA59812/02L55\$&;
6.0	152	Hole mounted, left hand facing	AA59812/01L60\$&; AA59812/02L60\$&;
		Hole mounted, right hand facing	AA59812/01R60\$&; AA59812/02L60\$&;
		Stud mounted, left hand facing	AA59812/01S60\$&; AA59812/02L60\$&;
		Stud mounted, right hand facing	AA59812/01T60\$&; AA59812/02L60\$&;

MIL-HDBK-1861A

w/CHANGE 3

TABLE II. Card guides, metal, with 3 offset mounting holes.

Overall length		Style	CID classification PIN 1/
Inch	mm		
2.0	51	Open ended, w/flared entry	AA55563/07 @A20&
		Open ended, wo/flared entry	AA55563/08 @A20&
		Closed ended, w/flared entry	AA55563/09 @A20&, /22 @A20&
		Closed ended, wo/flared entry	AA55563/10 @A20&, /21 @A20&
		Low profile, open ended w/flared entry	AA55563/11 @A20&, /15 @20&
		Low profile, open ended wo/flared entry	AA55563/12 @A20&, /16 @20&
2.5	64	Open ended, w/flared entry	AA55563/07 @A25&
		Open ended, wo/flared entry	AA55563/08 @A25&
		Closed ended, w/flared entry	AA55563/09 @A25&, /22 @A25&
		Closed ended, wo/flared entry	AA55563/10 @A25&, /21 @A25&
		Low profile, open ended w/flared entry	AA55563/11 @A25&, /15 @25&, /18 @25&
		Low profile, open ended wo/flared entry	AA55563/12 @A25&, /16 @25&
3.0	76	Open ended, w/flared entry	AA55563/07 @A30&
		Open ended, wo/flared entry	AA55563/08 @A30&
		Closed ended, w/flared entry	AA55563/09 @A30&, /22 @A30&
		Closed ended, wo/flared entry	AA55563/10 @A30&, /21 @A30&
		Low profile, open ended w/flared entry	AA55563/11 @A30&, /15 @30&, /18 @30&
		Low profile, open ended wo/flared entry	AA55563/12 @A30&, /16 @30&
3.5	89	Open ended, w/flared entry	AA55563/07 @A35&
		Open ended, wo/flared entry	AA55563/08 @A35&
		Closed ended, w/flared entry	AA55563/09 @A35&, /22 @A35&
		Closed ended, wo/flared entry	AA55563/10 @A35&, /21 @A35&
		Low profile, open ended w/flared entry	AA55563/11 @A35&, /15 @35&, /18 @35&
		Low profile, open ended wo/flared entry	AA55563/12 @A35&, /16 @35&
4.0	102	Open ended, w/flared entry	AA55563/07 @A40&
		Open ended, wo/flared entry	AA55563/08 @A40&
		Closed ended, w/flared entry	AA55563/09 @A40&, /22 @A40&
		Closed ended, wo/flared entry	AA55563/10 @A40&, /21 @A40&
		Low profile, open ended w/flared entry	AA55563/11 @A40&, /15 @40&, /18 @40&
		Low profile, open ended wo/flared entry	AA55563/12 @A40&, /16 @40&
4.5	114	Open ended, w/flared entry	AA55563/01 @A45&
		Open ended, wo/flared entry	AA55563/02 @A45&
		Closed ended, w/flared entry	AA55563/03 @A45&, /22 @A45&
		Closed ended, wo/flared entry	AA55563/04 @A45&, /21 @A45&
		Low profile, open ended w/flared entry	AA55563/05 @A45&, /15 @45&, /18 @45&
		Low profile, open ended wo/flared entry	AA55563/06 @A45&, /16 @45&

See footnote at end of table.

MIL-HDBK-1861A

w/CHANGE 3

TABLE II. Card guides, metal, with 3 offset mounting holes – Continued.

Overall length		Style	CID classification PIN ^{1/}
Inch	mm		
5.0	127	Open ended, w/flared entry	AA55563/01 @A50&
		Open ended, wo/flared entry	AA55563/02 @A50&
		Closed ended, w/flared entry	AA55563/03 @A50&, /22 @A50&
		Closed ended, wo/flared entry	AA55563/04 @A50&, /21 @A50&
		Low profile, open ended w/flared entry	AA55563/05 @A50&, /15 @50&, /18 @50&
		Low profile, open ended wo/flared entry	AA55563/06 @A50&, /16 @50&
5.5	140	Open ended, w/flared entry	AA55563/01 @A55&
		Open ended, wo/flared entry	AA55563/02 @A55&
		Closed ended, w/flared entry	AA55563/03 @A55&, /22 @A55&
		Closed ended, wo/flared entry	AA55563/04 @A55&, /21 @A55&
		Low profile, open ended w/flared entry	AA55563/05 @A55&, /15 @55&, /18 @55&
		Low profile, open ended wo/flared entry	AA55563/06 @A55&, /16 @55&
6.0	152	Open ended, w/flared entry	AA55563/01 @A60&
		Open ended, wo/flared entry	AA55563/02 @A60&
		Closed ended, w/flared entry	AA55563/03 @A60&, /22 @A60&
		Closed ended, wo/flared entry	AA55563/04 @A60&, /21 @A60&
		Low profile, open ended w/flared entry	AA55563/05 @A60&, /15 @60&, /18 @60&
		Low profile, open ended wo/flared entry	AA55563/06 @A60&, /16 @60&
6.5	165	Open ended, w/flared entry	AA55563/07 @A65&
		Open ended, wo/flared entry	AA55563/08 @A65&
		Closed ended, w/flared entry	AA55563/09 @A65&
		Closed ended, wo/flared entry	AA55563/10 @A65&
		Low profile, open ended w/flared entry	AA55563/11 @A65&, /15 @65&
		Low profile, open ended wo/flared entry	AA55563/12 @A65&, /16 @65&
7.0	178	Open ended, w/flared entry	AA55563/07 @A70&
		Open ended, wo/flared entry	AA55563/08 @A70&
		Closed ended, w/flared entry	AA55563/09 @A70&
		Closed ended, wo/flared entry	AA55563/10 @A70&
		Low profile, open ended w/flared entry	AA55563/11 @A70&, /15 @70&, /18 @70&
		Low profile, open ended wo/flared entry	AA55563/12 @A70&, /16 @70&
7.5	191	Open ended, w/flared entry	AA55563/07 @A75&
		Open ended, wo/flared entry	AA55563/08 @A75&
		Closed ended, w/flared entry	AA55563/09 @A75&
		Closed ended, wo/flared entry	AA55563/10 @A75&
		Low profile, open ended w/flared entry	AA55563/11 @A75&, /15 @75&, /18 @75&
		Low profile, open ended wo/flared entry	AA55563/12 @A75&, /16 @75&

^{1/} The at sign (@) represents one of the four materials available, the letter "A" represents one of three materials available, and the ampersand (&) represents the one of the 11 protective finishes available.

MIL-HDBK-1861A

w/CHANGE 3

TABLE II-1. Card guides, metal, medium profile, with center mounting holes (see figure 1).

Overall length		Style	CID classification PIN 1/
Inch	mm		
2.0	51	Without flared entry, 2 mounting holes	AA55563/23@#20&
		With flared entry, 3 mounting holes	AA55563/24@A20&
2.5	64	Without flared entry, 2 mounting holes	AA55563/23@A25&
		With flared entry, 3 mounting holes	AA55563/24@A25&
3.0	76	Without flared entry, 2 mounting holes	AA55563/23@A30&
		With flared entry, 3 mounting holes	AA55563/24@A30&
3.5	89	Without flared entry, 2 mounting holes	AA55563/23@A35&
		With flared entry, 3 mounting holes	AA55563/24@A35&
4.0	102	Without flared entry, 2 mounting holes	AA55563/23@A40&
		With flared entry, 3 mounting holes	AA55563/24@A40&
4.5	114	Without flared entry, 2 mounting holes	AA55563/23@A45&
		With flared entry, 3 mounting holes	AA55563/24@A45&
5.0	127	Without flared entry, 2 mounting holes	AA55563/23@A50&
		With flared entry, 3 mounting holes	AA55563/24@A50&
5.5	140	Without flared entry, 2 mounting holes	AA55563/23@A55&
		With flared entry, 3 mounting holes	AA55563/24@A55&

1/ The at sign (@) represents the one of the three materials available, and the ampersand (&) represents the one of the eight protective finish available.

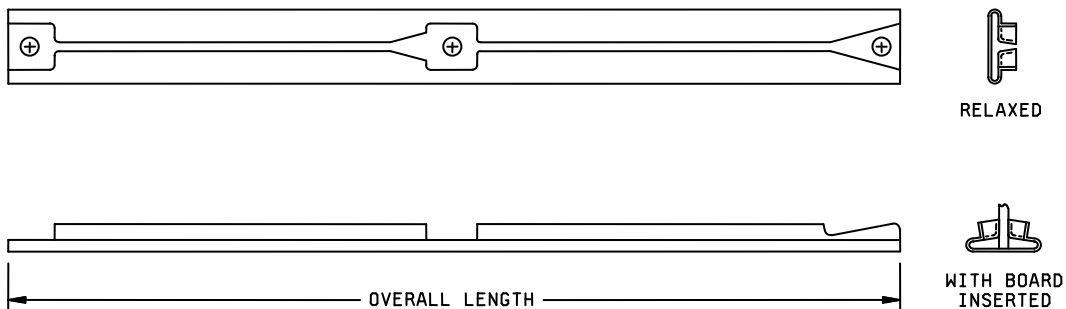


FIGURE 1. Card guides, metal, medium profile, with center mounting hole.

MIL-HDBK-1861A

w/CHANGE 3

TABLE II-2. Card guides, metal, with 3 center mounting holes or studs.

Overall length		Style	CID classification PIN 1/
Inch	mm		
6.5	165	Hole mounted, left hand facing	AA59812/01L65\$&&; AA59812/02L65\$&&;
		Hole mounted, right hand facing	AA59812/01R65\$&&; AA59812/02L65\$&&;
		Stud mounted, left hand facing	AA59812/01S65\$&&; AA59812/02L65\$&&;
		Stud mounted, right hand facing	AA59812/01T65\$&&; AA59812/02L65\$&&;
7.0	51	Hole mounted, left hand facing	AA59812/01L70\$&&; AA59812/02L70\$&&;
		Hole mounted, right hand facing	AA59812/01R70\$&&; AA59812/02L70\$&&;
		Stud mounted, left hand facing	AA59812/01S70\$&&; AA59812/02L70\$&&;
		Stud mounted, right hand facing	AA59812/01T70\$&&; AA59812/02L70\$&&;
7.5	64	Hole mounted, left hand facing	AA59812/01L75\$&&; AA59812/02L75\$&&;
		Hole mounted, right hand facing	AA59812/01R75\$&&; AA59812/02L75\$&&;
		Stud mounted, left hand facing	AA59812/01S75\$&&; AA59812/02L75\$&&;
		Stud mounted, right hand facing	AA59812/01T75\$&&; AA59812/02L75\$&&;
8.0	76	Hole mounted, left hand facing	AA59812/01L80\$&&; AA59812/02L80\$&&;
		Hole mounted, right hand facing	AA59812/01R80\$&&; AA59812/02L80\$&&;
		Stud mounted, left hand facing	AA59812/01S80\$&&; AA59812/02L80\$&&;
		Stud mounted, right hand facing	AA59812/01T80\$&&; AA59812/02L80\$&&;
8.5	89	Hole mounted, left hand facing	AA59812/01L85\$&&; AA59812/02L85\$&&;
		Hole mounted, right hand facing	AA59812/01R85\$&&; AA59812/02L85\$&&;
		Stud mounted, left hand facing	AA59812/01S85\$&&; AA59812/02L85\$&&;
		Stud mounted, right hand facing	AA59812/01T85\$&&; AA59812/02L85\$&&;
9.0	102	Hole mounted, left hand facing	AA59812/01L90\$&&; AA59812/02L90\$&&;
		Hole mounted, right hand facing	AA59812/01R90\$&&; AA59812/02L90\$&&;
		Stud mounted, left hand facing	AA59812/01S90\$&&; AA59812/02L90\$&&;
		Stud mounted, right hand facing	AA59812/01T90\$&&; AA59812/02L90\$&&;
9.5	114	Hole mounted, left hand facing	AA59812/01L95\$&&; AA59812/02L95\$&&;
		Hole mounted, right hand facing	AA59812/01R95\$&&; AA59812/02L95\$&&;
		Stud mounted, left hand facing	AA59812/01S95\$&&; AA59812/02L95\$&&;
		Stud mounted, right hand facing	AA59812/01T95\$&&; AA59812/02L95\$&&;
10.0	127	Hole mounted, left hand facing	AA59812/01LA0\$&&; AA59812/02LA0\$&&;
		Hole mounted, right hand facing	AA59812/01RA0\$&&; AA59812/02LA0\$&&;
		Stud mounted, left hand facing	AA59812/01SA0\$&&; AA59812/02LA0\$&&;
		Stud mounted, right hand facing	AA59812/01TA0\$&&; AA59812/02LA0\$&&;
10.5	140	Hole mounted, left hand facing	AA59812/01LA5\$&&; AA59812/02LA5\$&&;
		Hole mounted, right hand facing	AA59812/01RA5\$&&; AA59812/02LA5\$&&;
		Stud mounted, left hand facing	AA59812/01SA5\$&&; AA59812/02LA5\$&&;
		Stud mounted, right hand facing	AA59812/01TA5\$&&; AA59812/02LA5\$&&;

MIL-HDBK-1861A

w/CHANGE 3

TABLE III. Card guides, metal, slot width .0625 inch (1.59 mm).

Overall length		Number of mounting holes	DSCC drawing PIN ^{1/}
Inch	mm		
1.5	38	2	85033-087, 088, 089, 090, 111, 112, 113, 114
2.0	51	2	85033-091, 092, 093, 094, 115, 116, 117, 118
2.25	57	2	85034-01, 13, 25, 37, 49, 55, 61, 67
2.5	64	2	85033-095, 096, 097, 098, 119, 120, 121, 122
3.0	76	2	84168-001, 002, 005, 006,
3.0	76	3	85033-099, 100, 101, 102, 123, 124, 125, 126
3.25	83	3	85034-03, 15, 27, 39, 51, 57, 63, 69
3.5	89	2	84168-009, 010, 013, 014
3.5	89	3	85033-103, 104, 105, 106, 127, 128, 129, 130
4.0	102	2	84168-017, 018, 021, 022
4.0	102	3	85033-107, 108, 109, 110, 131, 132, 133, 134
4.25	108	4	85034-05, 17, 29, 41
4.5	114	2	84168-025, 026, 029, 030
4.5	114	3	85033-001, 002, 003, 004, 009, 010, 011, 012
5.0	127	3	84168-033, 034, 037, 038
5.25	133	5	85034-07, 19, 31, 43, 53, 59, 65, 71
5.5	140	3	84168-041, 042, 045, 046
6.0	152	3	84168-049, 050, 053, 054
6.0	152	4	85033-017, 018, 019, 023, 024, 025
6.25	159	6	85034-09, 21, 33, 45, 73
7.0	178	3	84168-057, 058, 061, 062
7.0	178	4	85033-211, 212, 217, 218
7.5	191	3	84168-065, 066, 69, 70
8.0	203	5	85033-199, 200
8.25	210	8	85034-11, 23, 35, 47
8.5	216	3	84168-073, 074, 077, 078
10.0	254	6	85033-205, 206

^{1/} DSCC drawing 85033 contains provisions for three finish options, optional housing index pins, optional hex head drive indexing, and whether the card guide comes assembled or in a disassembled kit form.

MIL-HDBK-1861A

w/CHANGE 3

TABLE IV. Card guides, metal, slot width .0937 inch (2.38 mm).

Overall length		Number of mounting holes	DSCC drawing PIN ^{1/}
Inch	mm		
1.5	38	2	85033-135, 136, 137, 138, 159, 160, 161, 162
2.0	51	2	85033-139, 140, 141, 142, 163, 164, 165, 166
2.5	57	2	85033-143, 144, 145, 146, 167, 168, 169, 170
3.0	76	2	84168-003, 004, 007, 008
3.0	76	3	85033-147, 148, 149, 150, 171, 172, 173, 174
3.25	83	3	85034-04, 16, 28, 40, 52, 58, 64, 70
3.5	89	2	84168-011, 012, 015, 016
3.5	89	3	85033-151, 152, 153, 154, 175, 176, 177, 178
4.0	102	2	84168-019, 020, 023, 024
4.0	102	3	85033-155, 156, 157, 158, 179, 180, 181, 182
4.25	108	4	85034-06, 18, 30, 42
4.5	114	2	84168-027, 028, 031, 032
4.5	114	3	85033-005, 006, 007, 008, 013, 014, 015, 016
5.0	127	3	84168-035, 036, 039, 040
5.25	133	5	85034-08, 20, 32, 44, 54, 60, 66, 72
5.5	140	3	84168-043, 044, 047, 048
6.0	152	3	84168-051, 052, 055, 056
6.0	152	4	85033-020, 021, 022, 026, 027, 028
6.25	159	6	85034-10, 22, 34, 46, 74
7.0	178	3	84168-059, 060, 063, 064
7.0	178	4	85033-213, 214, 219, 220
7.5	191	3	84168-067, 068, 071, 072
8.0	203	5	85033-201, 202
8.25	210	8	85034-12, 24, 36, 48
8.5	216	3	84168-075, 076, 079, 080
10.0	254	6	85033-207, 208

^{1/} DSCC drawing 85033 contains provisions for three finish options, optional housing index pins, optional hex head drive indexing, and whether the card guide comes assembled or in a disassembled kit form.

MIL-HDBK-1861A

w/CHANGE 3

TABLE V. Card guides, metal, slot width .125 inch (3.18 mm).

Overall length		Number of mounting holes	DSCC drawing PIN <u>1/</u>
Inch	mm		
1.5	38	2	85033-183, 184, 185, 186, 191, 192, 193, 194
2.0	51	2	85033-187, 188, 189, 190, 195, 196, 197, 198
2.5	64	2	85033-029, 030, 031, 032, 058, 059, 060, 061
3.0	76	3	85033-033, 034, 035, 036, 062, 063, 064, 065
3.5	89	3	85033-037, 038, 039, 040, 066, 067, 068, 069
4.0	102	3	85033-041, 042, 043, 044, 070, 071, 072, 073
4.5	114	3	85033-045, 046, 047, 048, 074, 075, 076, 077
5.0	127	4	85033-049, 050, 051, 078, 079, 080
5.5	140	4	85033-052, 053, 054, 081, 082, 083
6.0	152	4	85033-055, 056, 057, 084, 085, 086
7.0	178	4	85033-215, 216, 221, 222
8.0	203	5	85033-203, 204
10.0	254	6	85033-209, 210

- 1/ DSCC drawing 85033 contains provisions for three finish options (black anodize, chemical film, or unfinished), optional housing index pins, optional hex head drive indexing, and whether the card guide comes assembled or in a disassembled kit form.

MIL-HDBK-1861A

w/CHANGE 3

TABLE VI. Card guides, metal, screw actuated, slot width .025 to .079 inch (0.64 to 2.01 mm).

Overall length		Number of mounting holes	DSCC drawing PIN ^{1/}
Inch	mm		
3.0	76.20	2	88052-001*, 002*, 005*, 006*
3.5	88.90	2	88052-009*, 010*, 013*, 014*
4.0	101.60	2	88052-017*, 018*, 021*, 022*
4.5	114.30	2	88052-025*, 026*, 029*, 030*
5.0	127.00	3	88052-033*, 034*, 037*, 038*
5.5	139.70	3	88052-041*, 042*, 045*, 046*
6.0	152.40	3	88052-049*, 050*, 053*, 054*
6.5	165.10	3	88052-057*, 058*, 061*, 062*
7.0	177.80	3	88052-065*, 066*, 069*, 070*
7.5	190.50	3	88052-073*, 074*, 077*, 078*
8.0	203.20	4	88052-081*, 082*, 085*, 086*
8.5	215.90	4	88052-089*, 090*, 093*, 094*
9.0	228.60	4	88052-097*, 098*, 101*, 102*
9.5	241.30	4	88052-105*, 106*, 109*, 110*
10.0	254.00	4	88052-113*, 114*, 117*, 118*
10.5	266.70	4	88052-121*, 122*, 125*, 126*
11.0	279.40	5	88052-129*, 130*, 133*, 134*
11.5	292.10	5	88052-137*, 138*, 141*, 142*
12.0	304.80	5	88052-145*, 146*, 149*, 150*

^{1/} The asterisk (*) represents one of three protective finishes available.

MIL-HDBK-1861A

w/CHANGE 3

TABLE VII. Card guides, metal, screw actuated, slot width .080 to .145 inch (2.03 to 3.68 mm).

Overall length		Number of mounting holes	DSCC drawing PIN <u>1/</u>
Inch	mm		
3.0	76.20	2	88052-003*, 004*, 007*, 008*
3.5	88.90	2	88052-011*, 012*, 015*, 016*
4.0	101.60	2	88052-019*, 020*, 023*, 024*
4.5	114.30	2	88052-027*, 028*, 031*, 032*
5.0	127.00	3	88052-035*, 036*, 039*, 040*
5.5	139.70	3	88052-043*, 044*, 047*, 048*
6.0	152.40	3	88052-051*, 052*, 055*, 056*
6.5	165.10	3	88052-059*, 060*, 063*, 064*
7.0	177.80	3	88052-067*, 068*, 071*, 072*
7.5	190.50	3	88052-075*, 076*, 079*, 080*
8.0	203.20	4	88052-083*, 084*, 087*, 088*
8.5	215.90	4	88052-091*, 082*, 095*, 096*
9.0	228.60	4	88052-099*, 100*, 103*, 104*
9.5	241.30	4	88052-107*, 108*, 111*, 112*
10.0	254.00	4	88052-115*, 116*, 119*, 120*
10.5	266.70	4	88052-123*, 124*, 127*, 128*
11.0	279.40	5	88052-131*, 132*, 135*, 136*
11.5	292.10	5	88052-139*, 140*, 143*, 144*
12.0	304.80	5	88052-147*, 148*, 151*, 152*

1/ The asterisk (*) represents one of three protective finishes available.

MIL-HDBK-1861A

w/CHANGE 3

TABLE VIII. Card guides, metal, lever actuated, slot width .211 inch (5.36 mm) + PWB thickness.

Overall length		Number of mounting holes	DSCC drawing PIN
Inch	mm		
3.0	76.20	2	86092-01, 02, 03, 04
3.5	88.90	2	86092-05, 06, 07, 08
4.0	101.60	2	86092-09, 10, 11, 12
4.5	114.30	2	86092-13, 14, 15, 16
5.0	127.00	3	86092-17, 18, 19, 20
5.5	139.70	3	86092-21, 22, 23, 24
6.0	152.40	3	86092-25, 26, 27, 28
7.0	177.80	3	86092-29, 30, 31, 32
7.5	190.50	3	86092-33, 34, 35, 36
8.0	203.20	4	86092-37, 38, 39, 40

TABLE IX. Card guides, plastic, pylon mounted, shallow slot, slot width .078 inch (1.98 mm).

Overall length		Number of snap pylons	DSCC drawing PIN
Inch	mm		
2.5	63.50	2	84006-01
3.0	76.20	2	84006-02
3.5	88.90	2	84006-03
4.0	101.60	2	84006-04
4.5	114.30	2	84006-05
5.0	127.00	2	84006-06
5.5	139.70	2	84006-07
6.0	152.40	2	84006-08
6.5	165.10	2	84006-09
7.0	177.80	2	84006-10
7.5	190.50	2	84006-11
8.0	203.20	2	84006-12
8.5	215.90	3	84006-13
9.0	228.60	3	84006-14
9.5	241.30	3	84006-15
10.0	254.00	3	84006-16
10.5	266.70	3	84006-17
11.0	279.40	3	84006-18
11.5	292.10	3	84006-19
12.0	304.80	3	84006-20
12.5	317.50	3	84006-21
13.0	330.20	3	84006-22
13.5	342.90	3	84006-23
14.0	355.60	3	84006-24

MIL-HDBK-1861A

w/CHANGE 3

TABLE X. Card guides, plastic, pylon mounted, deep slot, slot width .080 to .132 inch (2.0 to 3.4 mm).

Overall length		Number of snap pylons	Slot width		DSCC drawing PIN
Inch	mm		Inch	mm	
2.5	63.50	2	.080	2.03	84101-01
4.5	114.30	2	.080	2.03	84101-02
6.0	152.40	2	.080	2.03	84101-03
8.0	203.20	3	.080	2.03	84101-04
4.5	114.30	2	.132	3.35	84101-22
6.0	152.40	2	.132	3.35	84101-23
8.0	203.20	3	.132	3.35	84101-24

TABLE XI. Card guides, plastic, slot width .050 to .100 inch (1.27 to 2.54 mm).

Overall length		Number of snap pylons	DSCC drawing PIN
Inch	mm		
2.5	64	2	85067-08, 09, 12
2.5	64	2	89029-03, 04, 05, 06
3.5	89	2	85067-07, 11
3.5	89	2	89029-07, 08
4.125	10.78	2	85067-05, 06, 10
4.125	10.78	2	89029-09, 10, 11, 12
5.5	140	2	85067-04
5.5	140	2	89029-13
6.375	161.93	2	85067-03
6.375	161.93	2	89029-14, 15
6.875	174.63	2	85067-02
6.875	174.63	2	89029-16
7.0	178	2	85067-01
7.0	178	2	89029-17

TABLE XII. Card guide, plastic, fastener mounted, shallow slot, slot width .070 inch (1.78 mm).

Overall length		Number of mounting holes	DSCC drawing PIN
Inch	mm		
3.50	88.9	2	85068-04
6.88	174.6	2	85068-05
8.50	215.9	3	85068-06
8.50	215.9	3	<u>1/</u> 85068-07

1/ Slot width is .100 inch (2.54 mm).

MIL-HDBK-1861A

w/CHANGE 3

TABLE XIII. Card holders, 3 body wedge retainers, with lever action locking (see figure 2). 1/

Mounting length		Number of mounting holes	Mounting method	CID PIN 2/
Inch	mm			
2.8	71	2	Rivets or screws	A-A-59590/1*#28&
3.0	76	2	Rivets or screws	A-A-59590/1*#30&
3.8	96	2	Rivets or screws	A-A-59590/1*#38&
4.0	101	2	Rivets or screws	A-A-59590/1*#40&
4.8	121	2	Rivets or screws	A-A-59590/1*#48&
5.0	127	2	Rivets or screws	A-A-59590/1*#50&
5.8	147	2	Rivets or screws	A-A-59590/1*#58&
6.0	152	2	Rivets or screws	A-A-59590/1*#60&
6.8	172	2	Rivets or screws	A-A-59590/1*#68&
7.0	177	2	Rivets or screws	A-A-59590/1*#70&
7.8	198	2	Rivets or screws	A-A-59590/1*#78&
8.0	203	2	Rivets or screws	A-A-59590/1*#80&
8.8	223	2	Rivets or screws	A-A-59590/1*#88&
9.0	228	2	Rivets or screws	A-A-59590/1*#90&

1/ The wedge size is .225 by .260 inch (5.72 x 6.61 mm).

2/ The asterisk (*) represent the one of the five protective finishes options available, the number sign (#) represents one of the four available mounting hole options, and the ampersand (&) represents the three facing options (left, right, or universal facing).

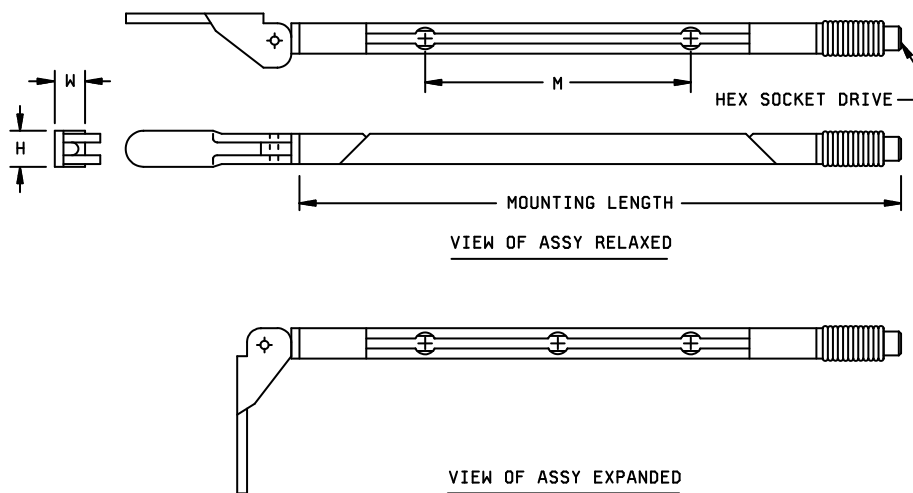


FIGURE 2. Relaxed and expanded dimensions, lever actuated card holders.

MIL-HDBK-1861A

w/CHANGE 3

TABLE XIV. Card holders, 3 body wedge retainers, with ejection action (see figure 3). 1/

Mounting length		Mounting method	CID PIN 2/ 3/
Inch	mm		
2.8	71	Rivets or screws	A-A-59590/2*#28&, A-A-59590/25*#28&
3.2	89	Rivets or screws	A-A-59590/25*#32&
3.5	76	Rivets or screws	A-A-59590/2*#35&
3.8	96	Rivets or screws	A-A-59590/2*#38&, A-A-59590/25*#38&
4.0	101	Rivets or screws	A-A-59590/2*#40&
4.8	121	Rivets or screws	A-A-59590/2*#48&, A-A-59590/25*#48&
5.8	147	Rivets or screws	A-A-59590/2*#58&
6.4	152	Rivets or screws	A-A-59590/2*#64&, A-A-59590/25*#64&

1/ The wedge size is .225 by .260 inch (5.72 x 6.61 mm).

2/ The asterisk (*) represent the five protective finish options, the number sign (#) represents the four mounting hole options, and the ampersand (&) represents the three hardware options (lockwasher and flat washer, screw self-locking element, and a combination or both previous options).

3/ A-A-59590/25 covers card holders with visual lock indication.

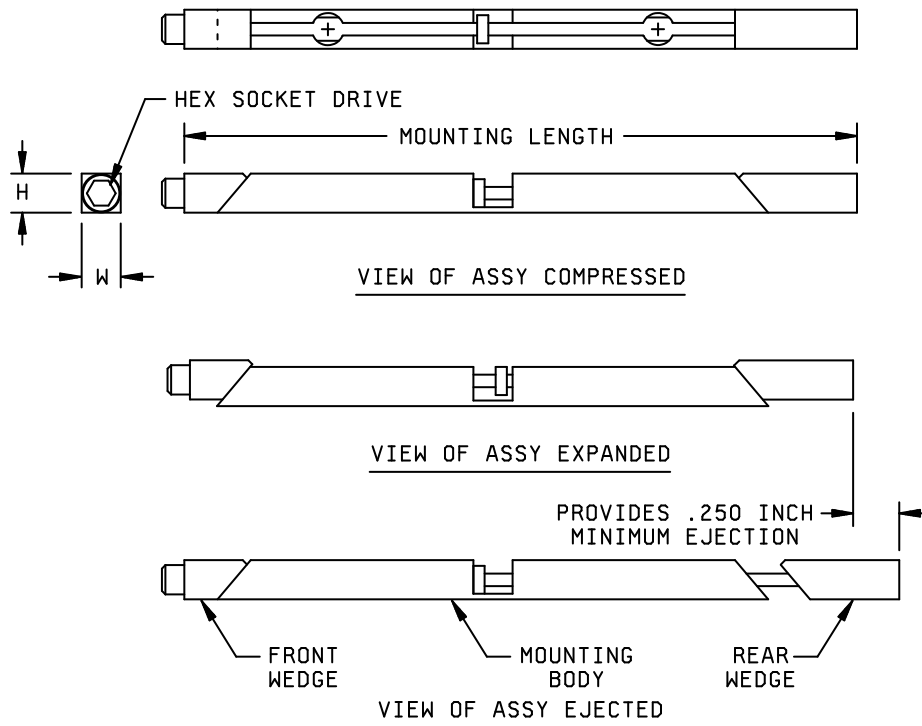


FIGURE 3. Relaxed and expanded dimensions, ejection action card holders.

MIL-HDBK-1861A

w/CHANGE 3

TABLE XV. Card holders, 3 body wedge retainer, .225 by .260 inch (5.72 x 6.61 mm) body size (see figure 4).

Mounting length		Mounting method	CID PIN <u>1/</u> <u>2/</u>
Inch	mm		
1.8	45.7	Rivets or screws	A-A-59590/5*#18&, /6*#18&
2.3	58.0	Rivets or screws	A-A-59590/5*#23&, /6*#23&
2.8	71.1	Rivets or screws	A-A-59590/3*#28&, /4*#28&, /5*#28&, /6*#28&
3.0	76.2	Rivets or screws	A-A-59590/3*#30&, /4*#30&, /5*#30&, /6*#30&
3.5	88.9	Rivets or screws	A-A-59590/3*#35&, /4*#35&, /5*#35&, /6*#35&
3.8	96.5	Rivets or screws	A-A-59590/3*#38&, /4*#38&, /5*#38&, /6*#38&
4.8	121.9	Rivets or screws	A-A-59590/3*#48&, /4*#48&, /5*#48&, /6*#48&
5.3	134.6	Rivets or screws	A-A-59590/3*#53&, /4*#53&, /5*#53&, /6*#53&
5.5	139.7	Rivets or screws	A-A-59590/3*#55&, /4*#55&, /5*#55&, /6*#55&
5.8	147.3	Rivets or screws	A-A-59590/3*#58&, /4*#58&, /5*#58&, /6*#58&
6.1	154.9	Rivets or screws	A-A-59590/3*#61&, /4*#61&, /5*#61&, /6*#61&
6.3	160.0	Rivets or screws	A-A-59590/5*#63&, /6*#63&
6.7	170.2	Rivets or screws	A-A-59590/3*#67&, /4*#67&, /5*#67&, /6*#67&
6.8	172.7	Rivets or screws	A-A-59590/5*#68&, /6*#68&
7.3	185.4	Rivets or screws	A-A-59590/5*#73&, /6*#73&
7.8	198.1	Rivets or screws	A-A-59590/5*#78&, /6*#78&
8.3	210.8	Rivets or screws	A-A-59590/5*#83&, /6*#83&
8.8	223.5	Rivets or screws	A-A-59590/5*#88&, /6*#88&

1/ The asterisk (*) represent the five protective finish options, the number sign (#) represents the four mounting hole options, and the ampersand (&) represents the three hardware options (lockwasher and flat washer, screw self-locking element, and a combination or both previous options).

2/ A-A-59590/4 covers card holders with visual lock indication, A-A-59590/5 covers card holders with screw retention, and A-A-59590/6 covers card holders with visual lock and screw retention.

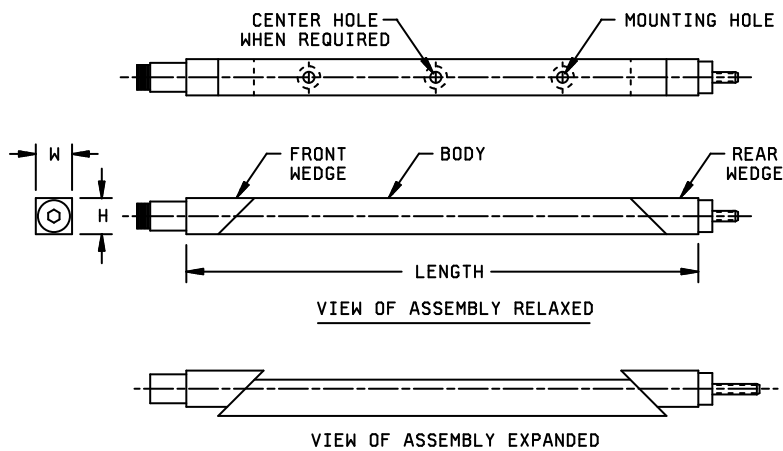


FIGURE 4. Relaxed and expanded dimensions, screw actuated card holders.

MIL-HDBK-1861A

w/CHANGE 3

TABLE XVI. Card holders, 3 body wedge retainer, .220 by .220 inch (5.59 x 5.9 mm) body size.

Mounting length		Mounting method	CID PIN <u>1/</u> <u>2/</u>
Inch	mm		
1.8	45.7	Rivets or screws	A-A-59590/7*#18&, /8*#18&, /9*#18&, /10*#18&
2.3	58.4	Rivets or screws	A-A-59590/7*#23&, /8*#23&, /9*#23&, /10*#23&
2.8	71.1	Rivets or screws	A-A-59590/7*#28&, /8*#28&, /9*#28&, /10*#28&
3.0	76.2	Rivets or screws	A-A-59590/7*#30&, /8*#30&, /9*#30&, /10*#30&
3.3	83.8	Rivets or screws	A-A-59590/7*#33&, /8*#33&, /9*#33&, /10*#33&
3.5	88.9	Rivets or screws	A-A-59590/7*#35&, /8*#35&, /9*#35&, /10*#35&
3.8	96.5	Rivets or screws	A-A-59590/7*#38&, /8*#38&, /9*#38&, /10*#38&
4.3	109.2	Rivets or screws	A-A-59590/7*#43&, /8*#43&, /9*#43&, /10*#43&
4.8	121.9	Rivets or screws	A-A-59590/7*#48&, /8*#48&, /9*#48&, /10*#48&
5.3	134.6	Rivets or screws	A-A-59590/7*#53&, /8*#53&, /9*#53&, /10*#53&
5.8	147.3	Rivets or screws	A-A-59590/7*#55&, /8*#55&, /9*#55&, /10*#55&
6.3	160.0	Rivets or screws	A-A-59590/7*#63&, /8*#63&, /9*#63&, /10*#63&
6.8	172.7	Rivets or screws	A-A-59590/7*#68&, /8*#68&, /9*#68&, /10*#68&
7.3	185.4	Rivets or screws	A-A-59590/7*#73&, /8*#73&, /9*#73&, /10*#73&
7.8	198.1	Rivets or screws	A-A-59590/7*#78&, /8*#78&, /9*#78&, /10*#78&
8.3	210.8	Rivets or screws	A-A-59590/7*#83&, /8*#83&, /9*#83&, /10*#83&
8.8	223.5	Rivets or screws	A-A-59590/7*#88&, /8*#88&, /9*#88&, /10*#88&

1/ The asterisk (*) represent the three protective finish options, the number sign (#) represents the seven mounting hole options, and the ampersand (&) represents the three hardware options (lockwasher and flat washer, screw self-locking element, and a combination or both previous options).

2/ A-A-59590/8 covers card holders with visual lock indication, A-A-59590/9 covers card holders with screw retention, and A-A-59590/10 covers card holders with visual lock and screw retention.

MIL-HDBK-1861A

w/CHANGE 3

TABLE XVII. Card holders, 3 body wedge retainer, .240 by .180 inch (6.1 x 4.57 mm) body size.

Mounting length		Mounting method	CID PIN <u>1/</u> <u>2/</u>
Inch	mm		
1.8	46	Rivets or screws	A-A-59590/11*#18&, A-A-59590/12*#18&
2.8	71	Rivets or screws	A-A-59590/11*#28&, A-A-59590/12*#28&
3.0	76	Rivets or screws	A-A-59590/11*#30&, A-A-59590/12*#30&
3.5	89	Rivets or screws	A-A-59590/11*#35&, A-A-59590/12*#35&
3.8	97	Rivets or screws	A-A-59590/11*#38&, A-A-59590/12*#38&
4.0	102	Rivets or screws	A-A-59590/11*#40&, A-A-59590/12*#40&
4.5	114	Rivets or screws	A-A-59590/11*#45&, A-A-59590/12*#45&
4.8	122	Rivets or screws	A-A-59590/11*#48&, A-A-59590/12*#48&
5.0	127	Rivets or screws	A-A-59590/11*#50&, A-A-59590/12*#50&
5.8	147	Rivets or screws	A-A-59590/11*#58&, A-A-59590/12*#58&

1/ The asterisk (*) represent the three protective finish options, the number sign (#) represents the seven mounting hole options, and the ampersand (&) represents the three hardware options (lockwasher and flat washer, screw self-locking element, and a combination or both previous options).

2/ A-A-59590/12 covers card holders with screw retention.

TABLE XVIII. Card holders, 3 body wedge retainer, .375 by .375 inch (9.53 x 9.53 mm) body size.

Mounting length		Mounting method	CID PIN <u>1/</u> <u>2/</u>
Inch	mm		
2.8	71	Rivets or screws	A-A-59590/13*#28&, /14*#28&, /15*#28&, /16*#28&
3.3	84	Rivets or screws	A-A-59590/13*#33&, /14*#33&, /15*#33&, /16*#33&
3.8	97	Rivets or screws	A-A-59590/13*#38&, /14*#38&, /15*#38&, /16*#38&
4.3	102	Rivets or screws	A-A-59590/13*#43&, /14*#43&, /15*#43&, /16*#43&
4.8	114	Rivets or screws	A-A-59590/13*#48&, /14*#48&, /15*#48&, /16*#48&
5.3	127	Rivets or screws	A-A-59590/13*#53&, /14*#53&, /15*#53&, /16*#53&
5.8	147	Rivets or screws	A-A-59590/13*#58&, /14*#58&, /15*#58&, /16*#58&

1/ The asterisk (*) represent the three protective finish options, the number sign (#) represents the seven mounting hole options, and the ampersand (&) represents the three hardware options (lockwasher and flat washer, screw self-locking element, and a combination or both previous options).

2/ A-A-59590/14 covers card holders with visual lock indication, A-A-59590/15 covers card holders with screw retention, and A-A-59590/16 covers card holders with visual lock and screw retention.

MIL-HDBK-1861A

w/CHANGE 3

TABLE XIX. Card holders, 3 body wedge retainer, .260 by .260 inch (6.61 x 6.61 mm) body size.

Mounting length		Mounting method	CID PIN <u>1/</u> <u>2/</u>
Inch	mm		
2.8	71	Rivets or screws	A-A-59590/17*#28&, /18*#28&, /19*#28&, /20*#28&
3.8	97	Rivets or screws	A-A-59590/17*#38&, /18*#38&, /19*#38&, /20*#38&
4.8	122	Rivets or screws	A-A-59590/17*#48&, /18*#48&, /19*#48&, /20*#48&
5.8	147	Rivets or screws	A-A-59590/17*#58&, /18*#58&, /19*#58&, /20*#58&

1/ The asterisk (*) represent the three protective finish options, the number sign (#) represents the four mounting hole options, and the ampersand (&) represents the three hardware options (lockwasher and flat washer, screw self-locking element, and a combination or both previous options).

2/ A-A-59590/18 covers card holders with visual lock indication, A-A-59590/19 covers card holders with screw retention, and A-A-59590/20 covers card holders with visual lock and screw retention.

TABLE XX. Card holders, 3 body wedge retainer, .500 by .450 inch (12.7 x 11.43 mm) body size.

Mounting length		Mounting method	CID PIN <u>1/</u> <u>2/</u>
Inch	mm		
2.8	71	Rivets or screws	A-A-59590/21*#28&, /22*#28&, /23*#28&, /24*#28&
3.8	97	Rivets or screws	A-A-59590/21*#38&, /22*#38&, /23*#38&, /24*#38&
4.8	122	Rivets or screws	A-A-59590/21*#48&, /22*#48&, /23*#48&, /24*#48&
5.8	147	Rivets or screws	A-A-59590/21*#58&, /22*#58&, /23*#58&, /24*#58&

1/ The asterisk (*) represent the three protective finish options, the number sign (#) represents the four mounting hole options, and the ampersand (&) represents the three hardware options (lockwasher and flat washer, screw self-locking element, and a combination or both previous options).

2/ A-A-59590/22 covers card holders with visual lock indication, A-A-59590/23 covers card holders with screw retention, and A-A-59590/24 covers card holders with visual lock and screw retention.

TABLE XXI. Card holders, 3 body wedge retainer, various body sizes.

Mounting length		Mounting method	DSCC PIN <u>1/</u>
Inch	mm		
2.8	71	Rivets or screws	84103-01*, 08*, 15*, 18*, 25*, 32*, 38*
3.0	76	Rivets or screws	84103-02*, 09*, 19*, 26*, 39*, 45*
3.5	89	Rivets or screws	84103-03*, 10*, 20*, 27*, 40*, 46*
3.8	97	Rivets or screws	84103-04*, 11*, 16*, 21*, 28*, 33*, 41*
4.0	102	Rivets or screws	84103-47*
4.5	114	Rivets or screws	84103-48*
4.8	121	Rivets or screws	84103-05*, 12*, 17*, 22*, 29*, 34*, 42*
5.0	127	Rivets or screws	84103-49*
5.3	134	Rivets or screws	84103-06*, 13*, 23*, 30*, 43*
5.8	147	Rivets or screws	84103-07*, 14*, 24*, 31*, 44*
6.1	155	Rivets or screws	84103-36*
6.7	170	Rivets or screws	84103-37*

1/ The asterisk (*) represents one of the two protective finish available.

MIL-HDBK-1861A

w/CHANGE 3

TABLE XXII. Card holders, 5 body wedge retainer, .250 by .260 (6.35 x 6.61 mm) body size.

Mounting length		Number of mounting holes	Mounting method	DSCC drawing PIN ^{1/}
Inch	mm			
2.8	71	2	Rivets or screws	89024-01*#, 11*#
3.0	76	2	Rivets or screws	89024-02*#, 12*#
3.5	88	2	Rivets or screws	89024-03*#, 13*#
3.8	96	2	Rivets or screws	89024-04*#, 14*#
4.0	101	2	Rivets or screws	89024-05*#, 15*#
4.5	114	2	Rivets or screws	89024-06*#, 16*#
4.8	121	2	Rivets or screws	89024-07*#, 17*#
5.0	127	2	Rivets or screws	89024-08*#, 18*#
5.5	139	2	Rivets or screws	89024-09*#, 19*#
5.8	147	2	Rivets or screws	89024-10*#, 20*#

^{1/} The asterisk (*) represent the two protective finish options, the number sign (#) represents the two mounting hole options.

TABLE XXIII. Card holders, 5 body wedge retainer, various body sizes.

Mounting length		Body size		Number of mounting holes	DSCC drawing PIN ^{1/}
Inch	mm	Inch	mm		
5.0	127	.225 x .260	5.72 x 6.61	2	89064-50A#&, 50C#&, 50E#&, 50G#&
5.0	127	.225 x .225	5.72 x 5.72	2	89064-50B#&, 50F#&
6.0	152	.225 x .260	5.72 x 6.61	2	89064-60A#&, 60C#&, 60E#&, 60G#&
6.0	152	.225 x .225	5.72 x 5.72	2	89064-60B#&, 60F#&
6.5	165	.225 x .260	5.72 x 6.61	2	89064-65A#&, 65C#&, 65E#&, 65G#&
6.5	165	.225 x .225	5.72 x 5.72	2	89064-65B#&, 65F#&
7.0	178	.225 x .260	5.72 x 6.61	4	89064-70D#&, 70H#&
7.5	190	.225 x .260	5.72 x 6.61	4	89064-75D#&, 75H#&
8.0	203	.225 x .260	5.72 x 6.61	4	89064-80D#&, 80H#&
8.5	216	.225 x .260	5.72 x 6.61	4	89064-85D#&, 85H#&

^{1/} The number sign (#) represents the four mounting hole options and the ampersand (&) represents optional configurations.

MIL-HDBK-1861A

w/CHANGE 3

TABLE XXIII-1. Card holders, 5 body wedge retainer, various body sizes (see figure 5).

Mounting length (L)		Body size (W x H)		Number of mounting holes	CID PIN ^{1/}
Inch	mm	Inch	mm		
4.8	122	.225 x .260	5.72 x 6.61	2	A-A-59789/01&*50#, /02&*50#
4.8	122	.225 x .225	5.72 x 5.72	2	A-A-59789/03&*50#, /04&*50#
5.3	135	.225 x .260	5.72 x 6.61	2	A-A-59789/01&*55#, /02&*55#
5.3	135	.225 x .225	5.72 x 5.72	2	A-A-59789/03&*55#, /04&*55#
5.8	147	.225 x .260	5.72 x 6.61	2	A-A-59789/01&*60#, /02&*60#
5.8	147	.225 x .225	5.72 x 5.72	2	A-A-59789/03&*60#, /04&*60#
6.3	160	.225 x .260	5.72 x 6.61	2	A-A-59789/01&*65#, /02&*65#
6.3	160	.225 x .225	5.72 x 5.72	2	A-A-59789/03&*65#, /04&*65#

^{1/} The ampersand (&) represents the configuration, the asterisk (*) represents the four various finishes, and the number sign (#) represents the four mounting hole options.

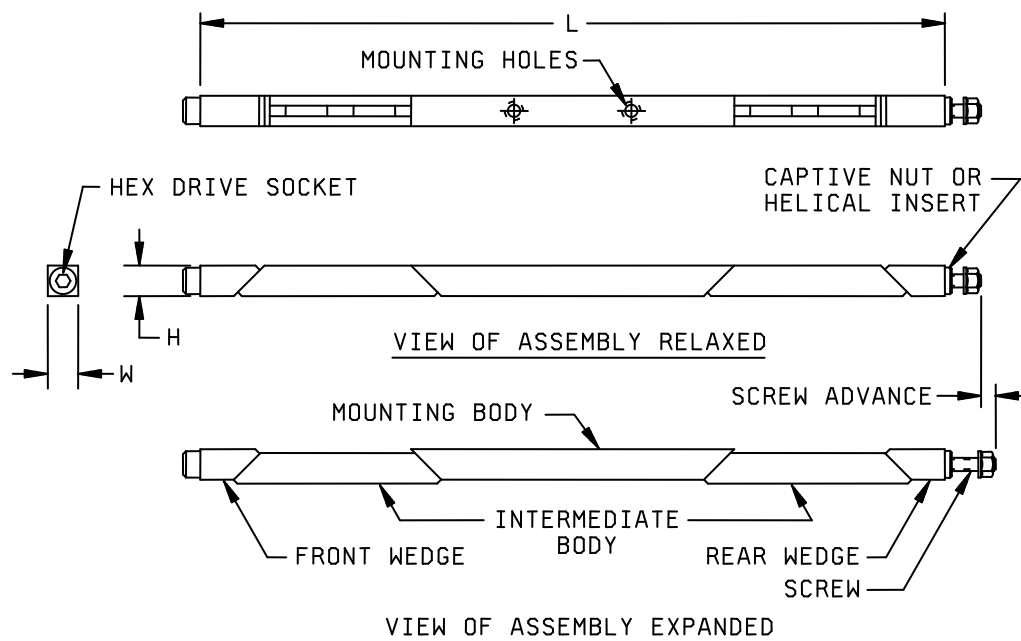


FIGURE 5. Card holders, 5 body wedge retainer, various body sizes.

MIL-HDBK-1861A

w/CHANGE 3

TABLE XXIV. Retainer-ejector, electrical card, plastic.

Slot width		Material	DSCC drawing PIN <u>1/</u>
Inch	mm		
.075	1.91	Nylon	83023-01*
.075	1.91	Nylon	83023-02*
.075	1.91	Nylon	83023-03*
.075	1.91	Nylon	83023-04*
.105	2.67	Nylon	83023-05*
.105	2.67	Nylon	83023-06*
.105	2.67	Nylon	83023-07*
.100	2.54	Nylon	83023-08*
.075	1.91	Glass filled nylon	83023-09*
.140	3.56	Glass filled nylon	83023-10*
.075	1.91	Glass filled nylon	83023-11*
.075	1.91	Glass filled nylon	83023-12*
.070	1.78	Nylon	83023-13*
.075	1.91	Glass filled polycarbonate	83023-14*
.070	1.78	Nylon	83023-15*
.100	2.54	Nylon	83023-16*
.140	3.56	Glass filled polycarbonate	83023-17*
.070	1.78	Nylon	83023-18*
.075	1.91	Nylon	83023-19*
.100	2.54	Nylon	83023-20*
.140	3.56	Nylon	83023-21*
.075	1.91	Nylon	83023-22*
.075	1.91	Nylon	83023-23*
.075	1.91	Glass filled polycarbonate	83023-24*
.100	2.54	Glass filled polycarbonate	83023-25*
.074	1.89	Glass filled polycarbonate	83023-26*
.100	2.54	Glass filled polycarbonate	83023-27*
.140	3.56	Glass filled polycarbonate	83023-28*

1/ The asterisk (*) represents one of six colors available.

MIL-HDBK-1861A

w/CHANGE 3

TABLE XXV. Extractor, electrical card, metal.

Slot width		Configuration	DSCC drawing PIN <u>1/</u>
Inch	mm		
.040	1.02	Angled handle, no lock tab	84191-01*#, 84191-02*#
.075	1.91		84191-03*#, 84191-04*#
.105	2.67		84191-05*#, 84191-06*#
.142	3.61		84191-07*#, 84191-08*#
.165	4.19		84191-33*#, 84191-34*#
.040	1.02	Angled handle, with lock tab	84191-09*#, 84191-10*#
.075	1.91		84191-11*#, 84191-12*#
.105	2.67		84191-13*#, 84191-14*#
.142	3.61		84191-15*#, 84191-16*#
.165	4.19		84191-35*#, 84191-36*#
.040	1.02	Straight handle, with lock tab	84191-17*#, 84191-18*#
.075	1.91		84191-19*#, 84191-20*#
.105	2.67		84191-21*#, 84191-22*#
.142	3.61		84191-23*#, 84191-24*#
.165	4.19		84191-37*#, 84191-38*#
.040	1.02	Straight handle, no lock tab	84191-25*#, 84191-26*#
.075	1.91		84191-27*#, 84191-28*#
.105	2.67		84191-29*#, 84191-30*#
.142	3.61		84191-31*#, 84191-32*#
.165	4.19		84191-39*#, 84191-40*#

1/ The asterisk (*) represents protective finish and the number sign (#) represents the material. The finish options are black anodize (designator B), chemical film (designator C), chemical film with the electronic sensitive device symbol (designator E), and passivation (designator P) for corrosion stainless steel parts. The material options are aluminum alloy 5052-H32 (designator A), aluminum alloy 6061-T6 (designator T), and type 301 stainless steel (designator S).

MIL-HDBK-1861A

w/CHANGE 3

TABLE XXVI. Extractor, electrical card, metal, heavy duty.

Slot width		Configuration	CID PIN ^{1/}
Inch	mm		
.048	1.22	Non-locking, mechanical advantage of 5.5:1	AA59832/01AF1\$#
.080	2.03	Non-locking, mechanical advantage of 5.5:1	AA59832/01AS1\$#
.110	2.79	Non-locking, mechanical advantage of 5.5:1	AA59832/01AT1\$#
.140	3.56	Non-locking, mechanical advantage of 5.5:1	AA59832/01AE1\$#
.048	1.22	Non-locking, mechanical advantage of 3.3:1	AA59832/02SF1\$#
.080	2.03	Non-locking, mechanical advantage of 3.3:1	AA59832/02SS1\$#
.110	2.79	Non-locking, mechanical advantage of 3.3:1	AA59832/02ST1\$#
.140	3.56	Non-locking, mechanical advantage of 3.3:1	AA59832/02SE1\$#
.048	1.22	Non-locking, mechanical advantage of 4.2:1	AA59832/02MF1\$#
.080	2.03	Non-locking, mechanical advantage of 4.2:1	AA59832/02MS1\$#
.110	2.79	Non-locking, mechanical advantage of 4.2:1	AA59832/02MT1\$#
.140	3.56	Non-locking, mechanical advantage of 4.2:1	AA59832/02ME1\$#
.048	1.22	Non-locking, mechanical advantage of 7:1	AA59832/02LF1\$#
.080	2.03	Non-locking, mechanical advantage of 7:1	AA59832/02LS1\$#
.110	2.79	Non-locking, mechanical advantage of 7:1	AA59832/02LT1\$#
.140	3.56	Non-locking, mechanical advantage of 7:1	AA59832/02LE1\$#
.080	2.03	Locking, mechanical advantage of 4.2:1	AA59832/03LS1\$#
.110	2.79	Locking, mechanical advantage of 4.2:1	AA59832/03LT1\$#
.140	3.56	Locking, mechanical advantage of 4.2:1	AA59832/03LE1\$#
.080	2.03	Locking, mechanical advantage of 7:1	AA59832/03LS1\$#
.110	2.79	Locking, mechanical advantage of 7:1	AA59832/03LT1\$#
.140	3.56	Locking, mechanical advantage of 7:1	AA59832/03LE1\$#

^{1/} The dollar sign (\$) represents protective finish and the number sign (#) represents color. The finish options are anodize (designator A) and chemical film (designator C). The color options are black (designator B) and red (designator R) for anodize and clear (designator C) or gold (designator G) for chemical film.

MIL-HDBK-1861A

w/CHANGE 3

Custodians:

Army – CR
Navy – EC
Air Force – 85
DLA – CC

Preparing activity:
DLA – CC

Project 5998-2010-002

Review activity:

Air Force – 99

NOTE: The activities listed above were interested in this document as of the date of this document. Since organizations and responsibilities can change, you should verify the currency of the information above using the ASSIST Online database at <https://assist.daps.dla.mil/>.