

INCH-POUND

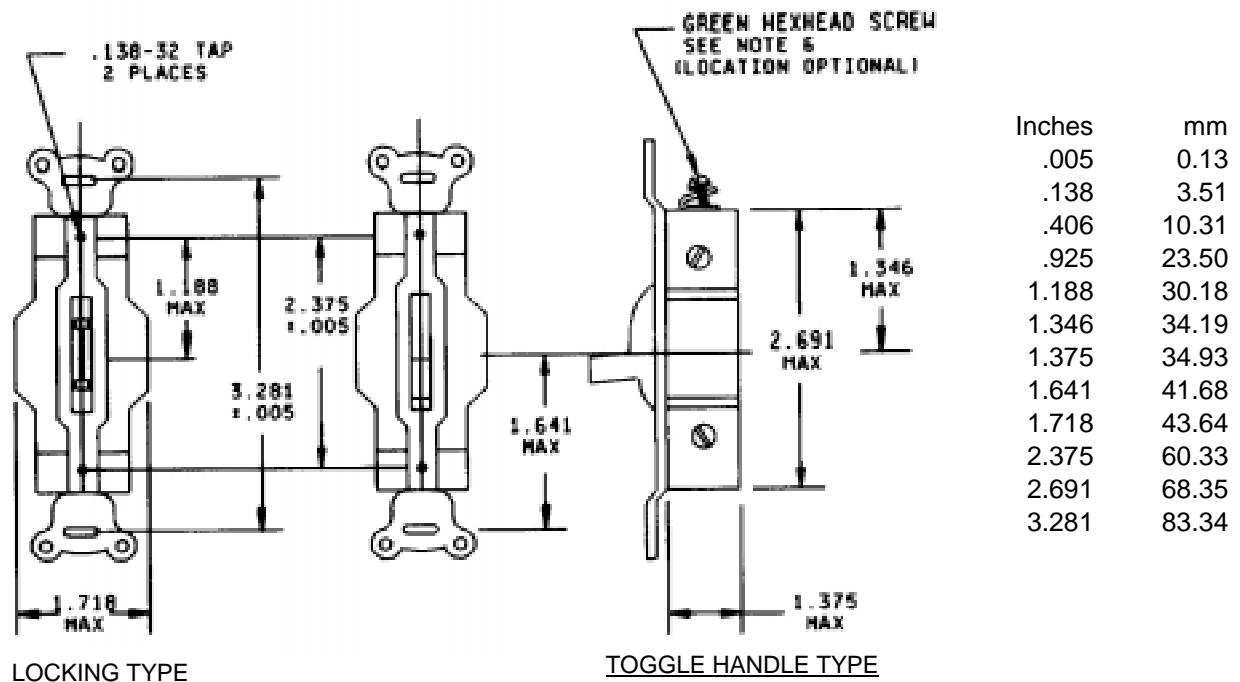
W-S-896/2E
 18 April 2001
 SUPERSEDING
 W-S-896/2D
 2 June 1993

FEDERAL SPECIFICATION SHEET

SWITCHES, TOGGLE AND LOCK, FLUSH MOUNTED (AC)
 (DETAIL SPECIFICATION)

This specification is approved for use by all Departments and Agencies of the Department of Defense.

The requirements for acquiring the switches described herein shall consist of this specification and W-S-896.



NOTES:

1. Dimensions are in inches. Metric equivalents are given for general information only.
2. The switch handle shall be of size to fit a wall plate cutout of .406 wide x .925 minimum high.
3. Keys shall be furnished with each locking type switch.
4. Exact shape of switch optional provided that envelope dimensions are not exceeded.
5. Green hex-head screw is for ground wire and is supplied only when specified by Part or Identifying Number (PIN).

FIGURE 1. Switch, toggle and lock.

REQUIREMENTS:

AMSC N/A

1 of 3

FSC 5930

DISTRIBUTION STATEMENT A. Approved for public release; distribution is unlimited.

W-S-896/2E

Design and construction: See figure 1.

Electrical ratings: See table I.

Government Part of Identifying Number (PIN): WS896/2-(dash numbers from table I).

Examples:

WS896/2-01A-G: 120/277 volts, 30 amperes, single pole, brown handle, grounding terminal required.

WS896/2-15F: 120 volts, 30 amperes, single pole, illuminated ivory locator light handle, no grounding terminal.

TABLE I. Dash numbers and switch characteristics.

Dash number <u>1/ 2/</u>	Available options for unlighted switches	Poles/way	Current rating - ac only <u>3/</u>	
			120 volts Amperes	277 volts Amperes
01	A, B, C, D, E, G	Single pole	30	30
02	A, B, C, D, E, G	Single pole	20	20
03	A, B, C, D, E, G	Single pole	15	15
04	A, B, C, D, E, G	Double pole	30	30
05	A, B, C, D, E, G	Double pole	20	20
06	A, B, C, D, E, G	Double pole	15	15
07	A, B, C, D, E, G	Three way	30	30
08	A, B, C, D, E, G	Three way	20	20
09	A, B, C, D, E, G	Three way	15	15
10	A, B, C, D, E, G	Four way	30	30
11	A, B, C, D, E, G	Four way	20	20
12	A, B, C, D, E, G	Four way	15	15
Dash number <u>1/ 2/</u>	Available options for lighted switches	Poles/way	Current rating - ac only <u>3/</u>	
			120 volts Amperes	208-277 volts Amperes
15	F, H, J, K, L, M, N, P, Q, R, S, T	Single pole	30	
16	F, H, J, K, L, M, N, P, Q, R, S, T	Single pole		30
17	F, H, J, K, L, M, N, P, Q, R, S, T	Single pole	20	
18	F, H, J, K, L, M, N, P, Q, R, S, T	Single pole		20
19	F, H, J, K, L, M, N, P, Q, R, S, T	Single pole	15	
20	F, H, J, K, L, M, N, P, Q, R, S, T	Single pole		15
21	F, H, J, K, L, M, N, P, Q, R, S, T	Double pole	30	
22	F, H, J, K, L, M, N, P, Q, R, S, T	Double pole		30
23	F, H, J, K, L, M, N, P, Q, R, S, T	Double pole	20	
24	F, H, J, K, L, M, N, P, Q, R, S, T	Double pole		20
25	F, H, J, K, L, M, N, P, Q, R, S, T	Double pole	15	
26	F, H, J, K, L, M, N, P, Q, R, S, T	Double pole		15

W-S-896/2E

Dash number <u>1/</u> <u>2/</u>	Available options for lighted switches	Poles/way	Current rating - ac only <u>3/</u>	
			120 volts Amperes	208-277 volts Amperes
27	F, H, J, K, L, M, N, P, Q, R, S, T	Three pole	30	30
28	F, H, J, K, L, M, N, P, Q, R, S, T	Three pole	20	
29	F, H, J, K, L, M, N, P, Q, R, S, T	Three pole		15
30	F, H, J, K, L, M, N, P, Q, R, S, T	Three pole		
31	F, H, J, K, L, M, N, P, Q, R, S, T	Three pole	15	15
32	F, H, J, K, L, M, N, P, Q, R, S, T	Three pole		
33	F, H, J, K, L, M, N, P, Q, R, S, T	Four pole	30	30
34	F, H, J, K, L, M, N, P, Q, R, S, T	Four pole	20	
35	F, H, J, K, L, M, N, P, Q, R, S, T	Four pole		15
36	F, H, J, K, L, M, N, P, Q, R, S, T	Four pole		
37	F, H, J, K, L, M, N, P, Q, R, S, T	Four pole	15	15
38	F, H, J, K, L, M, N, P, Q, R, S, T	Four pole		

1/ The complete dash number will include an additional letter to indicate the applicable design of the actuating member. Add a "-G" suffix if a grounding terminal is required. Letters used to denote actuating member design are as follows:

- A - Brown handle
- B - Ivory handle
- C - Locking, key operated with brown key guide
- D - Locking, key operated with ivory key guide
- E - Locking, key operated with simulated stainless steel key guide
- F - illuminated ivory locator light
- G - Locking, key operated with black key guide
- H - illuminated white locator light
- J - illuminated clear locator light
- K - illuminated red locator light
- L - illuminated orange locator light
- M - illuminated amber locator light
- N - illuminated ivory locator light
- P - illuminated white pilot light
- Q - illuminated clear pilot light
- R - illuminated red pilot light
- S - illuminated orange pilot light
- T - illuminated amber pilot light

Locator light indicates a light that is operating when circuit is open. Pilot light indicates a light which operating when the circuits closed. Colors specified are in accordance with NEMA Standard WD-1 using Munsell notation.

2/ WS896/2-13 and WS896/2-14 have been canceled. Replace with WS896/2-03 and WS896/2-09 respectively.

3/ A switch having a higher current rating and qualified may be supplied in substitution for the switch of the specified current rating. A qualified switch rated at 120-277 volts may be supplied in substitution for a switch specified with a rating of 120 volts or 208-277 volts; however, all switches with illuminated handles must have lamps that illuminate at the specified operating voltage.

Custodians:
Army - CR
Navy - YD
Air Force - 11
DLA - CC

Preparing activity:
DLA - CC

(Project 5930-1728-01)