

GGG-C-746G
Interim Amendment 1
July 15, 1986

INTERIM AMENDMENT

TO

FEDERAL SPECIFICATION

CUTLERY, GALLEY AND KITCHEN (CLEAVER, FORKS,
KNIVES, SPATULAS, STEEL AND SERVER)

This interim amendment was developed by the General Services Administration, Federal Supply Service, Washington, DC 20406, based upon currently available technical information. It is recommended that Federal agencies use it in procurement and forward recommendations for changes to the preparing activity at the address shown above.

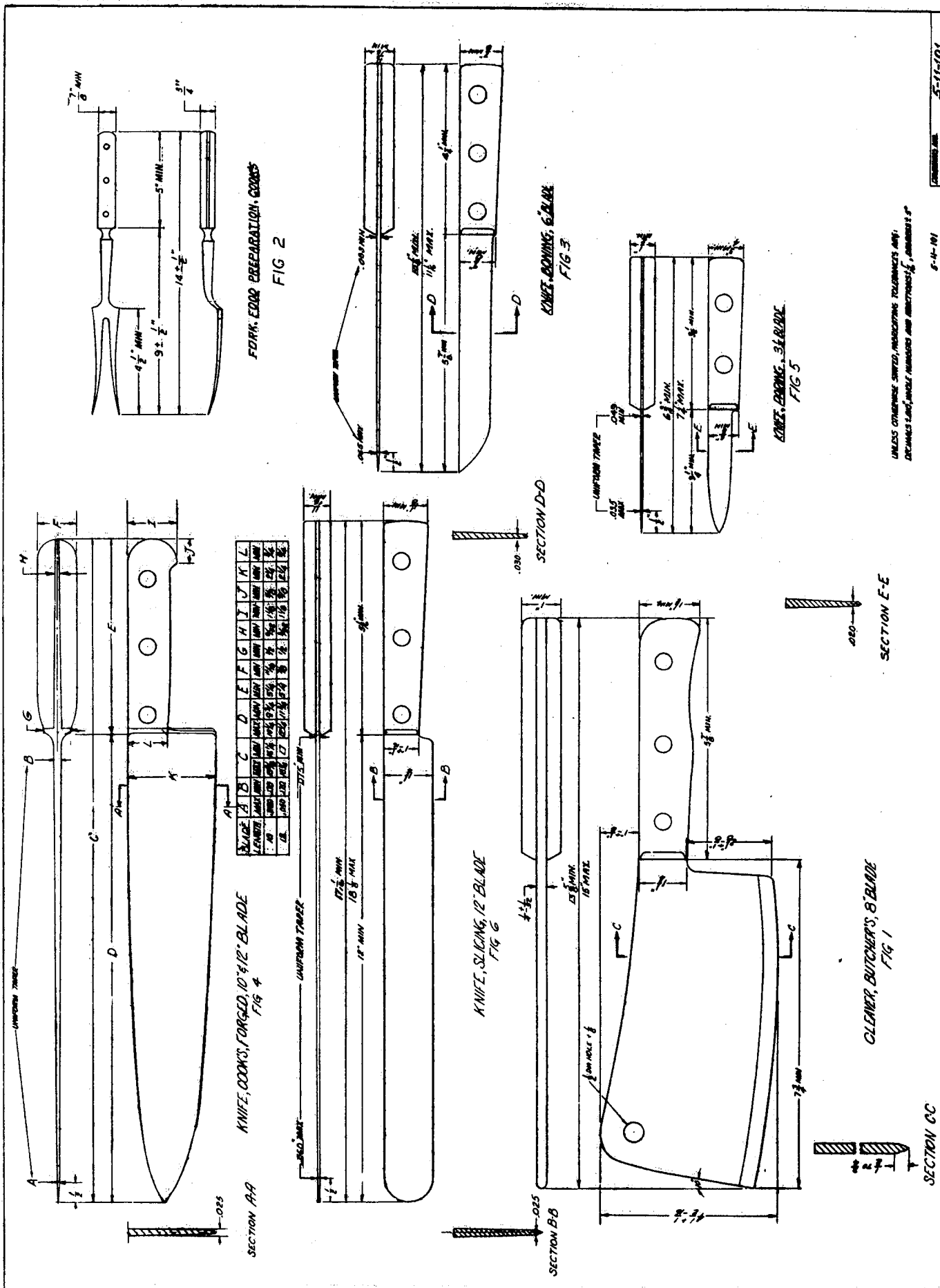
The General Services Administration has authorized the use of this interim amendment as a valid exception to Federal Specification GGG-C-746G dated July 26, 1979.

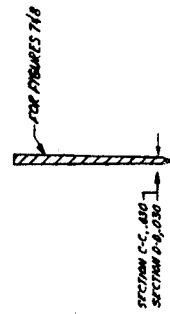
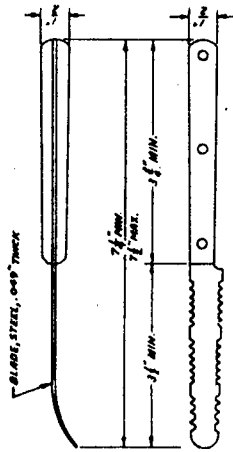
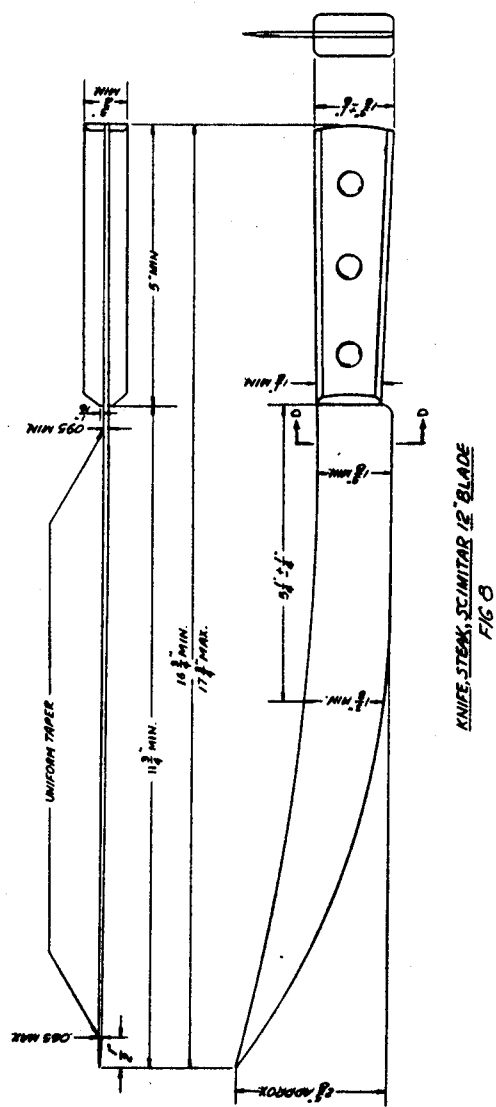
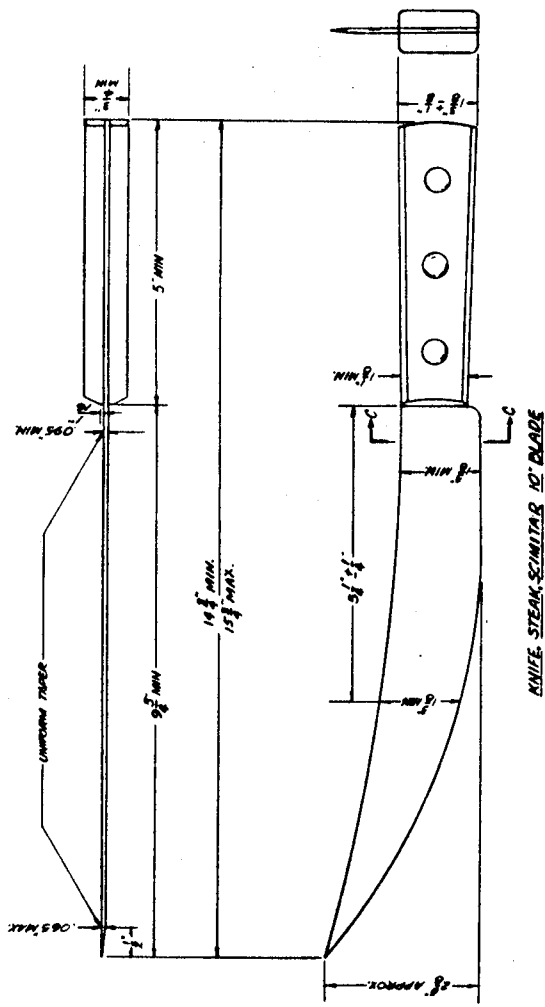
PAGE 20

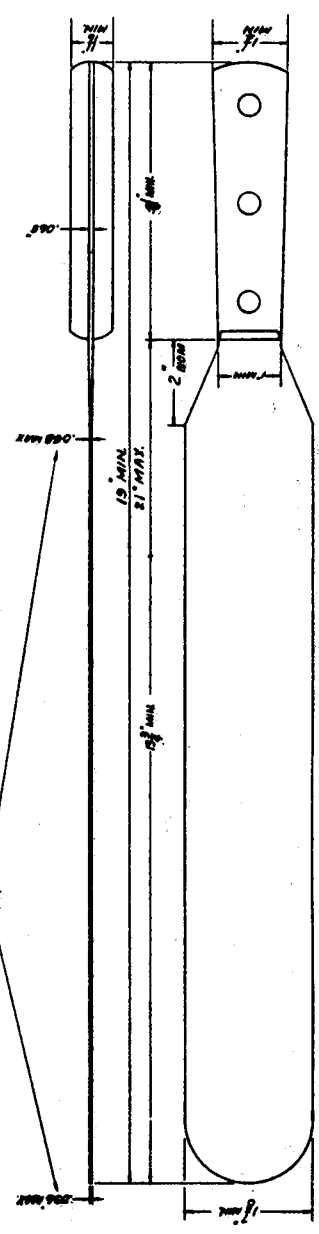
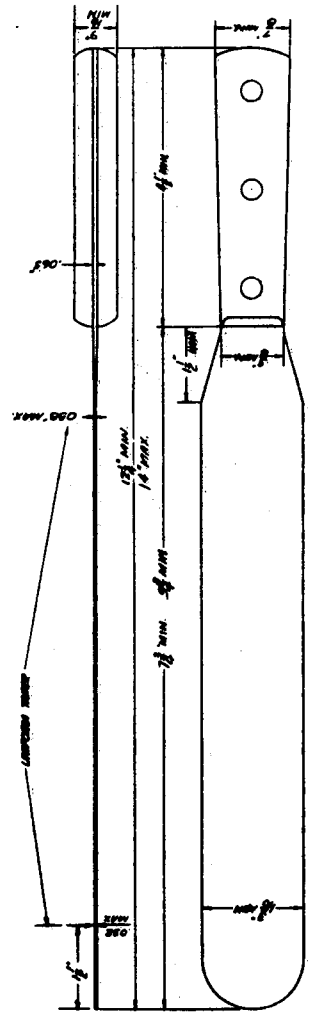
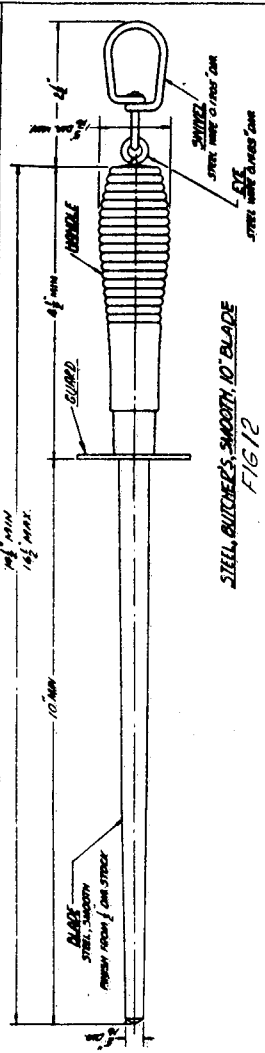
Attached figures 1-19 are incorporated as an integral part of the specification.

PREPARING ACTIVITY:
GSA - FSS

FSC 7340





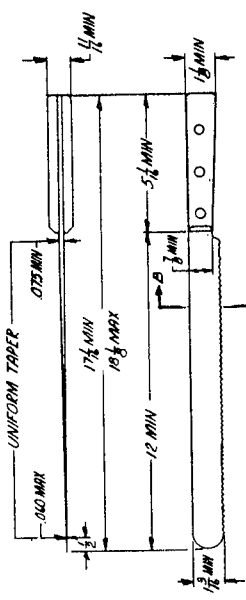


UNLESS OTHERWISE SPECIFIED, DIMENSIONS ARE IN INCHES. DIMENSIONS IN PARENTHESES ARE IN MILLIMETERS.

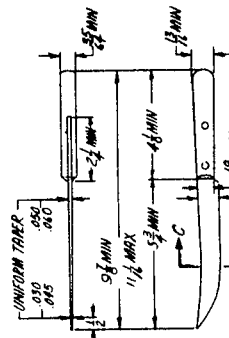
FIG 10

FIG 11

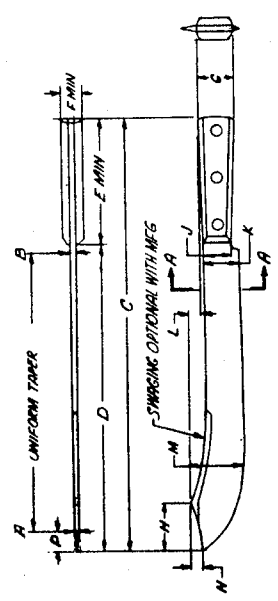
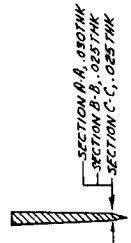
NO.	REV.	DATE	DESCRIPTION
1	A	5 JUN 79	DR 746G, 27 MILLIMETER DIA WAS 40 BR. P. 12. 17 IN. NODULAR F. 17 IN. DIA. 40 BR. P. 12. 17 IN. NODULAR F. 17 IN. DIA. 40 BR. P. 12. 17 IN. NODULAR F. 17 IN. DIA. 40 BR. P. 12. 17 IN. NODULAR F. 17 IN. DIA.
2	B	5 JUN 79	DR 746G, 27 MILLIMETER DIA WAS 40 BR. P. 12. 17 IN. NODULAR F. 17 IN. DIA. 40 BR. P. 12. 17 IN. NODULAR F. 17 IN. DIA. 40 BR. P. 12. 17 IN. NODULAR F. 17 IN. DIA.
3	C	5 JUN 79	DR 746G, 27 MILLIMETER DIA WAS 40 BR. P. 12. 17 IN. NODULAR F. 17 IN. DIA. 40 BR. P. 12. 17 IN. NODULAR F. 17 IN. DIA. 40 BR. P. 12. 17 IN. NODULAR F. 17 IN. DIA.



KNIFE, SLICING, (SCALLOPED) 12 INCH BLADE
FIGURE 15



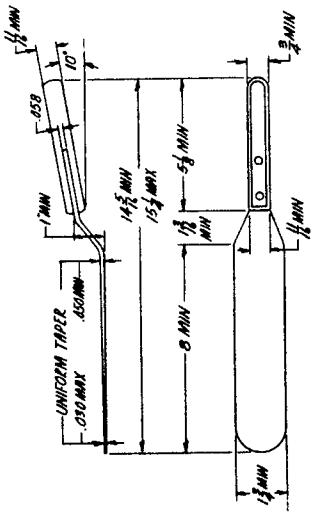
KNIFE, SLICING, CLINCH BLADE
FIG 17



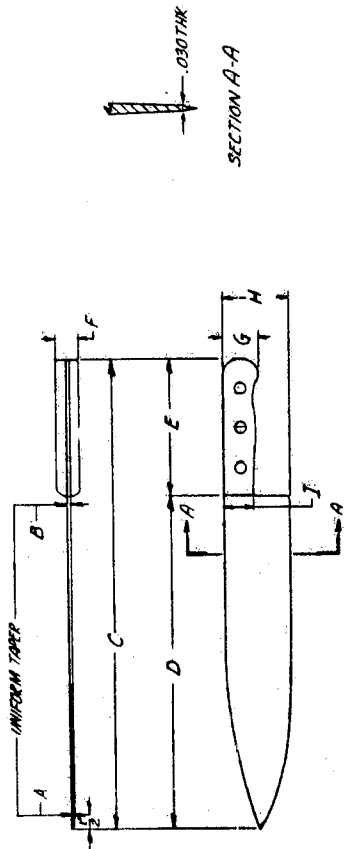
KNIFE, BUTCHER, 10 IN. INCH BLADE

SECTION	A	B	C	D	E	F	G	H	J	K	L	M	N	P
8	.040 MIN	.109 MAX	12 1/2 MIN	15 1/4 MIN	4 1/2 MIN	4 1/2 MIN	4 1/2 MIN	4 1/2 MIN	4 1/2 MIN	4 1/2 MIN	1 1/2 MIN	1 1/2 MIN	1 1/2 MIN	1 1/2 MIN
10	.042 MIN	.109 MAX	12 1/2 MIN	15 1/4 MIN	4 1/2 MIN	4 1/2 MIN	4 1/2 MIN	4 1/2 MIN	4 1/2 MIN	4 1/2 MIN	1 1/2 MIN	1 1/2 MIN	1 1/2 MIN	1 1/2 MIN
14	.042 MIN	.109 MAX	12 1/2 MIN	15 1/4 MIN	4 1/2 MIN	4 1/2 MIN	4 1/2 MIN	4 1/2 MIN	4 1/2 MIN	4 1/2 MIN	1 1/2 MIN	1 1/2 MIN	1 1/2 MIN	1 1/2 MIN

FIGURE 14

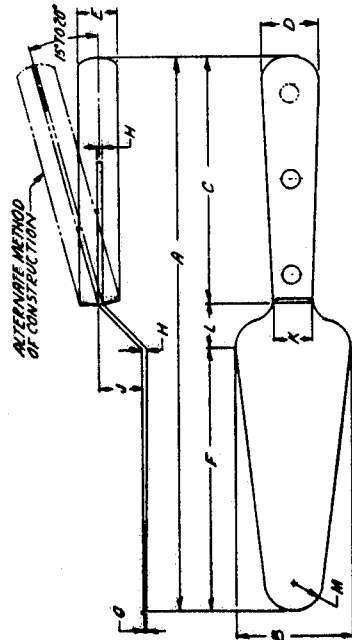


SPATULA, METAL, OFFSET, 18 INCH BLADE
FIGURE 16



BLADE LENGTH	A	B	C	D	E	F	G	H	I
70	1.00	1.00	1.00	1.00	1.00	1.00	1.00	1.00	1.00

KNIFE, COOKS, STAMPED, 10 INCH BLADE
FIGURE 18



BLADE LENGTH	A	B	C	D	E	F	G	H	I	J	K	L	M	N	O	P	Q	R	S	T	U	V	W	X	Y	Z
70	1.00	1.00	1.00	1.00	1.00	1.00	1.00	1.00	1.00	1.00	1.00	1.00	1.00	1.00	1.00	1.00	1.00	1.00	1.00	1.00	1.00	1.00	1.00	1.00	1.00	1.00

FIGURE 19 SERIES PIE AND CAKE