

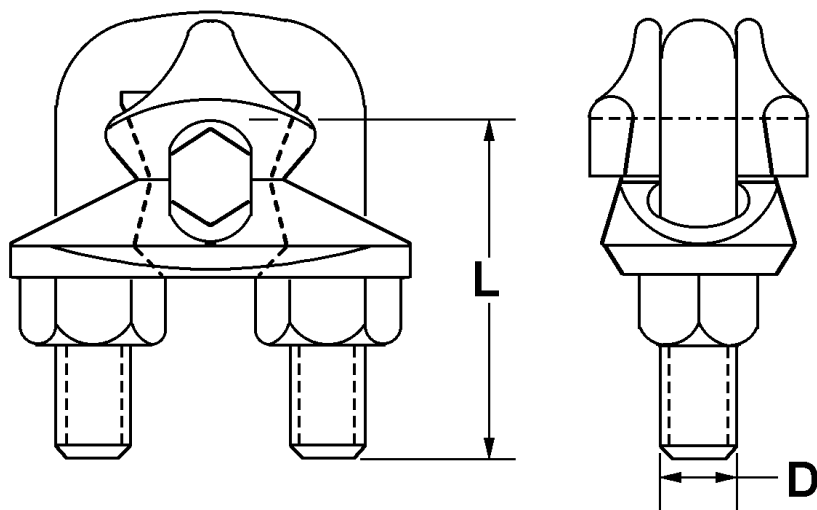
INCH-POUND
FF-C-450/1
9 March 2011

DETAIL SPECIFICATION SHEET

CLAMP, WIRE ROPE, DOUBLE-GRIP, STEEL, DOUBLE SADDLED, TYPE II

This specification is approved for use by all Departments and Agencies of the Department of Defense.

The requirements for acquiring the product described herein shall consist of this specification sheet and FF-C-450.



Type II

FIGURE 1. Clamp, double grip double saddled wire rope.

FF-C-450/1

TABLE I. Clamp dimensions and weight requirement for type II.

Dash number	Wire rope diameter	D Thread minimum	L Length minimum L	Weight pounds minimum
1	3/16 (.1875)	5/16-18 .3125 -18UNC	1.125	.30
2	1/4 (.250)	3/8-16 .3750 -16UNC	1.313	.32
3	5/16 (.3125)	3/8-16 .3750 -16UNC	1.500	.44
4	3/8 (.375)	1/2-13 .5000 -13UNC	1.750	.65
5	7/16 (.4375)	1/2-13 .5000 -13UNC	1.875	.79
6	1/2 (.500)	1/2-13 .5000 -13UNC	2.188	.80
7	9/16 (.5625)	5/8-11 .6250 -11UNC	2.438	1.28
8	5/8 (.625)	5/8-11 .6250 -11UNC	2.750	1.38
9	3/4 (.750)	5/8-11 .6250 -11UNC	3.000	1.85
10	7/8 (.875)	3/4-10 .7500 -10UNC	3.375	2.75
11	1 (1.00)	3/4-10 .7500 -10UNC	3.625	3.15
12	1-1/8 (1.125)	3/4-10 .7500 -10UNC	4.000	3.80
13	1-1/4 (1.250)	7/8-9 .8750 -9UNC	4.375	5.24
14	1-3/8 (1.375)	7/8-9 .8750 -9UNC	4.625	5.58
15	1-1/2 (1.500)	1.0-8 1.000 -8UNC	5.125	7.44
16	1-3/4 (1.750)	1-1/8-7 1.125 -7UNC	6.000	10.02
17	2 (2.000)	1-1/4-7 1.250 -7UNC	6.000	13.00

Inches	mm	Inches	mm	Inches	mm	Inches	mm	Inches	mm	Inches	mm
.1875	4.76	.500	12.70	1.000	25.40	1.500	38.10	2.438	61.93	4.000	101.60
.250	6.35	.5625	14.29	1.125	28.58	1.750	44.45	2.750	69.85	4.375	111.13
.3125	7.94	.625	15.88	1.250	31.75	1.875	47.63	3.000	76.2	4.625	117.48
.375	9.53	.750	19.05	1.313	33.35	2.000	50.80	3.375	85.73	5.125	130.18
.4375	11.11	.875	22.23	1.375	34.93	2.188	55.58	3.625	92.08	6.000	152.40

NOTES:

1. Dimensions are in inches.
2. Metric equivalents are given for information only.
3. All dimensions are "reference" dimensions.

FIGURE 1. Clamp, double grip double saddled wire rope – Continued.

FF-C-450/1

REQUIREMENTS:

Clamps shall be in accordance with figure 1 and table I.

Material carbon steel shall be in accordance with Type I, Class I of FF-C-450.

Protective coating shall be, mechanically deposited zinc coating in accordance with ASTM-B695, type II, class II, zinc coated in accordance with ASTM-A153/A153M, or zinc coating (electrodeposited) in accordance with ASTM-B633, Fe/Zn 5, type VI.

Threads shall be in accordance with procurement specification.

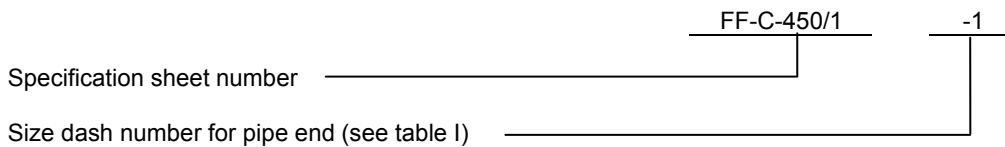
Marking shall be in accordance with procurement specification.

For design feature purposes, this standard takes precedence over acquisition documents referenced herein.

In the event of a conflict between the text of this specification sheet and the references cited herein, the text of this specification sheet shall take precedence.

Part or Identifying Number (PIN).

Example of a PIN: FF-C-450/1-1.



Referenced documents. In addition to FF-C-450, this document references the following:

ASTM-A153/A153M
 ASTM-B633
 ASTM-B695

CONCLUDING MATERIAL

MILITARY INTERESTS:

Custodians:

Army – AR
 Navy – SH
 Air Force – 99
 DLA – CC

Review activities:

Army – AT, AV, CR4, GL
 Navy – MC, SA, YD
 Air Force – 71

CIVIL AGENCY COORDINATING ACTIVITY

GSA – FAS

Preparing activity:
 DLA – CC

(Project 4030-2010-006)

NOTE: The activities listed above were interested in this document as of the date of this document. Since organizations and responsibilities can change, you should verify the currency of the information above using the ASSIST Online database at <https://assist.daps.dla.mil>.