

[INCH-POUND]  
 A-A-59769/1A  
22 January 2013  
 SUPERSEDING  
 A-A-59769/1  
 15 April 2005

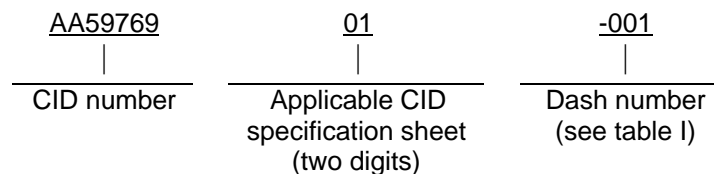
COMMERCIAL ITEM DESCRIPTION  
 SPECIFICATION SHEET

RESISTOR NETWORKS,  
 BALL GRID ARRAY TERMINATORS  
 THEVENIN TERMINATION

The General Services Administration has authorized the use of this commercial item description (CID) for all agencies.

The complete requirements for procuring the 8 bit thevenin termination which provides high performance termination and backplanes, and eliminates parasitic capacitance and inductance is described herein and shall consist of this document and the issue in effect of CID A-A-59769.

CLASSIFICATION/PART OR IDENTIFICATION NUMBER (PIN). This commercial item description (CID) uses a classification system that is included in the PIN as shown in the following example (see NOTES).



SALIENT CHARACTERISTICS

Interface and physical dimensions. The resistor networks supplied to this CID specification sheet shall meet the interface and physical dimensions as specified herein (see figure 1).

Schematic diagram. The schematic diagram shall be as specified in figure 2.

Maximum resistor power. The maximum resistor power shall be 0.05 watts at 70°C.

Maximum package power. The maximum package power shall be 1.0 watt at 70°C.

Resistance. The resistance shall be as specified in table I.

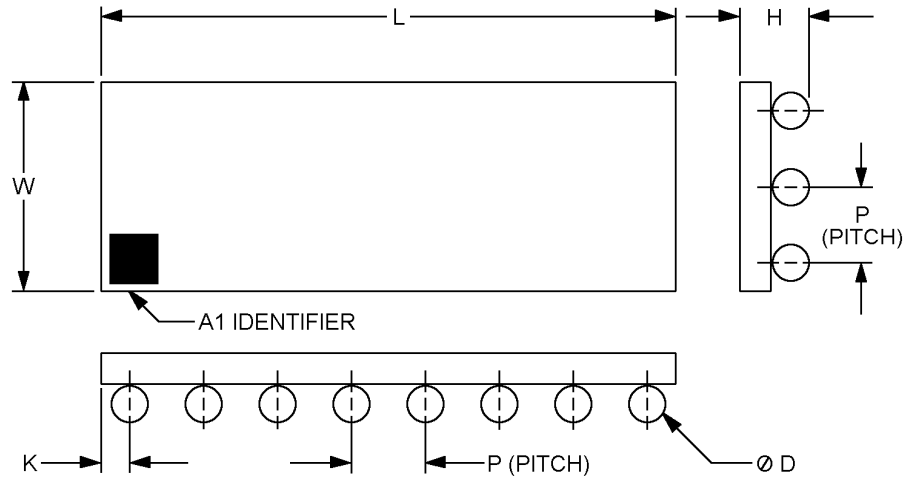
Resistance tolerance. The resistance tolerance shall be ±1.0 percent.

Temperature coefficient of resistance (TCR). The temperature coefficient of resistance (TCR) shall be ±200 ppm/°C.

Operating ambient temperature. The operating ambient temperature range shall be -55°C to +125°C.

A-A-59769/1A

Marking. Resistors supplied to this CID specification sheet shall be marked with the manufacturer's standard commercial PIN.



	L	W	H	P
Inch	$0.315 \pm 0.006$	$0.118 \pm 0.006$	$0.047 \pm 0.006$	$0.039 \pm 0.010$
mm	$8.00 \pm 0.15$	$3.00 \pm 0.15$	$1.19 \pm 0.15$	$1.00 \pm 0.25$
	D	K	Co-planarity	
Inch	$0.025 \pm 0.002$	$0.020 \pm 0.010$	0.006	
mm	$0.64 \pm 0.05$	$0.50 \pm 0.25$	0.15	

FIGURE 1. Case dimensions and configuration.

SCHMATIC DIAGRAM

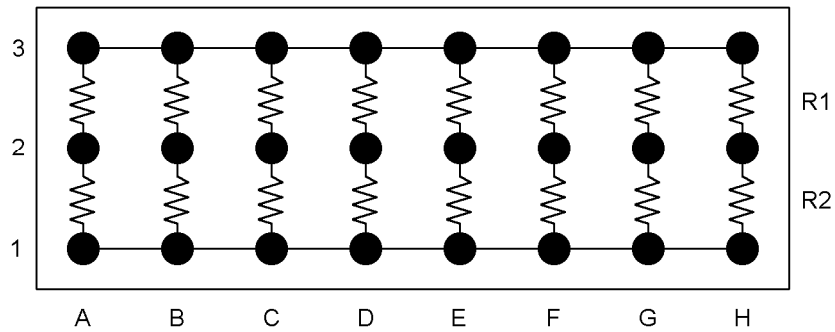


FIGURE 2. Schematic diagram.

A-A-59769/1A

TABLE I. Rating and characteristics.

CID dash number	R <sub>1</sub> (ohms)	R <sub>2</sub> (ohms)	Array size	Pitch
-001	330	470	3 x 8	0.039 (1.00 mm)
-002	220	1,800	3 x 8	0.039 (1.00 mm)

## NOTES.

PIN. The PIN should be used for Government purposes to buy commercial products to this CID specification sheet. See classification information for PIN format example.

Source of documents.

## Commercial Item Description

A-A-59769 - Resistor Networks, Ball Grid Array Terminators, General Requirements for.

(Copies of these documents are available online at <https://assist.dla.mil/quicksearch/> or from the DLA Document Services Order Desk, 700 Robbins Avenue, Building 4D, Philadelphia, PA 19111-5094.)

Ordering data. Ordering data is as specified in A-A-59769.

Commercial products. As part of the market analysis and research effort, this CID was coordinated with the following manufacturers of commercial products. At the time of CID preparation and coordination, these manufacturers were known to have commercial products that would meet the requirements of this CID. (NOTE: This information should not be considered as a list of approved manufacturers or be used to restrict procurement to only the manufacturers shown).

TABLE II. Commercial products.

MFR's CAGE	MFR's name and address
11236	CTS Corporation Berne Division 406 Parr Road Berne, IN 46711-9505 Phone: (574) 293-7511 Website: <a href="http://www.ctscorp.com">http://www.ctscorp.com</a>

## A-A-59769/1A

Part number (P/N) supersession data. This CID supersedes the following MFR's P/N's as shown. This information is being provided to assist in reducing proliferation in the Government inventory system.

TABLE III. P/N supersession data.

CID dash number AA5976901-	MFR's P/N <sup>1/</sup>	MFR's CAGE
001	RT1210B7	11236
002	RT1211B7	

<sup>1/</sup> The manufacturers P/N shall not be used for procurement to the requirements of this CID specification sheet. At the time of preparation of this CID specification sheet, the aforementioned commercial products were reviewed and could be replaced by the CID PIN shown. For actual part marking requirements, see the marking paragraph of A-A-59769.

Changes from previous issue. The margins of this CID are marked with vertical lines to indicate where changes from the previous issue were made. This was done as a convenience only and the Government assumes no liability whatsoever for any inaccuracies in these notations. Bidders and contractors are cautioned to evaluate the requirements of this document based on the entire content irrespective of the marginal notations and relationship to the last previous issue.

## MILITARY INTERESTS:

Custodians:  
Navy - EC  
DLA - CC

## CIVIL AGENCY COORDINATING ACTIVITY:

GSA - FAS

Preparing Activity:

DLA - CC

Project 5905-2010-027

NOTE: The activities listed above were interested in this document as the date of this document. Since organizations and responsibilities can change, you should verify the currency of the information above using the ASSIST Online database at <https://assist.dla.mil>.