

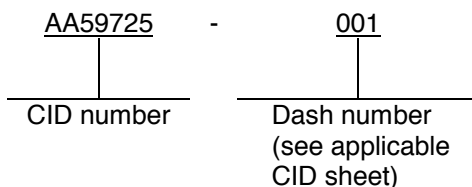
[METRIC]
A-A-59725
June 17, 2002

COMMERCIAL ITEM DESCRIPTION

PROTECTOR, AUTOMOTIVE CABLE, HIGH CURRENT, GENERAL REQUIREMENTS FOR

The General Services Administration has authorized the use of this Commercial Item Description (CID) for all federal agencies.

1. **SCOPE.** This CID covers the general requirements for high current, automotive cable protectors. Protectors covered by this CID are intended for commercial/industrial applications.
2. **CLASSIFICATION.** This CID uses a classification system that is included in the Part Identification Number (PIN) as shown in the following example (see 7.1).

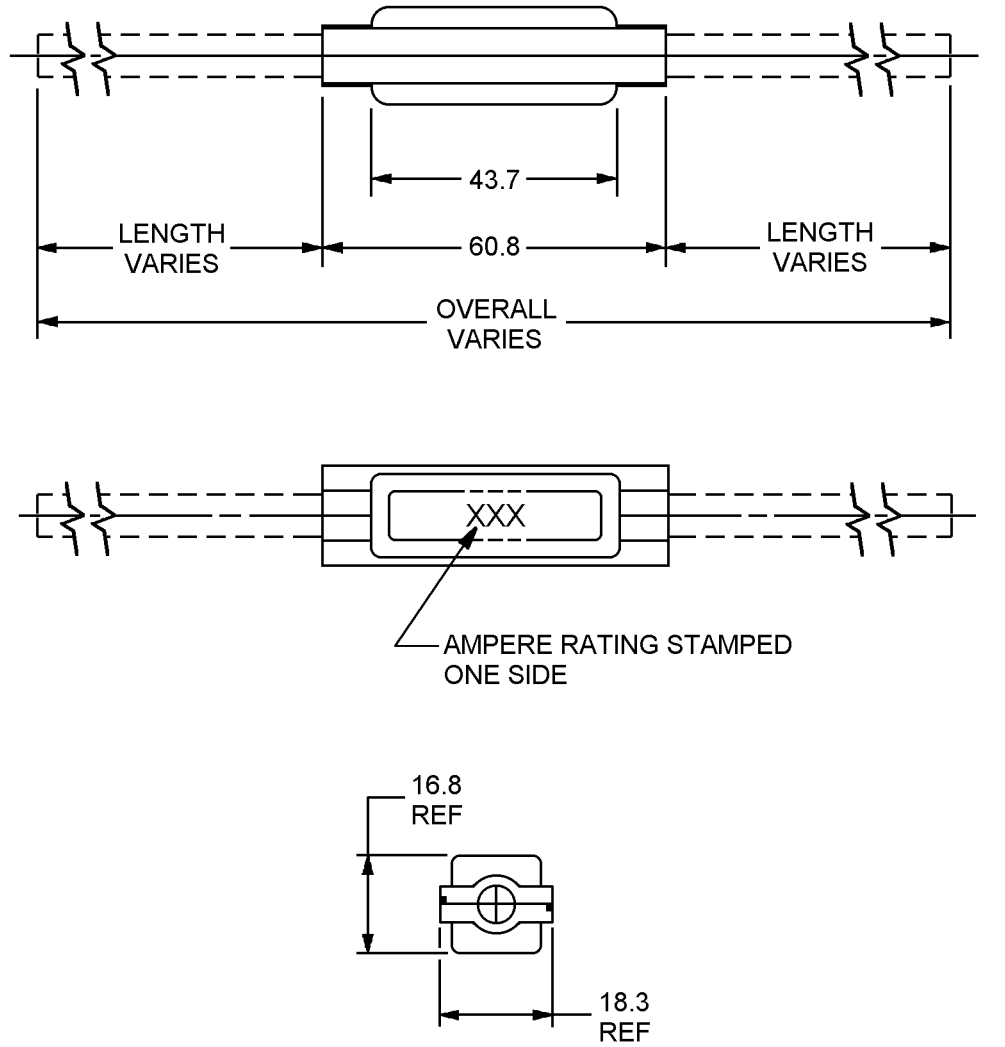


3. SALIENT CHARACTERISTICS.

- 3.1 Interface and physical dimensions. Cable protectors supplied to this CID shall be as specified herein (see figure 1).
- 3.2 Ampere rating. The ampere rating shall be as specified in table I.
- 3.3 Voltage rating. The voltage rating shall be 12 V dc.
- 3.4 Interrupting ratings. The interrupting ratings shall be 2,000 amperes at 32 V dc.
- 3.5 Opening time characteristics. The opening time characteristics shall be as indicated in table II.
- 3.6 Operating temperature. The operating temperature shall be -40°C to +125°C.
- 3.7 Cable type. This cable protector shall accept SAE J1127 (4 and 6 AWG) and SAE J1128 (8 AWG) size cables.
- 3.8 Marking. Cable protectors supplied to this CID shall be marked with the manufacturer's (MFR's) standard commercial PIN.

Beneficial comments, recommendations, additions, deletions, clarifications, etc., and any data which may improve this document should be sent to: Defense Supply Center, Columbus, ATTN: DSCC-VAT, Post Office Box 3990, Columbus, OH 43216-5000, or telephone (614) 692-0548, or facsimile (FAX) (614) 692-6939.

A-A-59725



mm	Inches
16.8	0.66
18.3	0.72
43.7	1.72
60.8	2.39

FIGURE 1. Configuration and dimensions.

TABLE I. Characteristics.

CID dash number AA59725-	Ampere rating	Wire size	Nominal cold resistance (mΩ) <u>1/</u>	Typical voltage drop at rated current (mV) <u>1/</u>
001	60	5 mm ² (8 AWG)	1.77	132.8
002	80	8 mm ² (8 AWG)	1.188	117.0
003	100	8 mm ² (8 AWG)	0.937	119.9
004	125	13 mm ² (6 AWG)	0.697	104.5
005	150	19 mm ² (4 AWG)	0.555	102.1
006	175	19 mm ² (4 AWG)	0.473	105.4
007	200	19 mm ² (4 AWG)	0.374	97.6

1/ Nominal cold resistance and typical voltage drop at rated current is measured at the ends of two 80.0 mm (3.15 inch) cables.

TABLE II. Rating versus opening time.

Percent of rating	Opening time	
	Minimum	Maximum
100	100 hours	N/A
135	120 seconds	1,800 seconds
200	10 seconds	300 seconds
350	1 second	15 seconds
600	0.3 seconds	5 seconds

4. **REGULATORY REQUIREMENTS.** The offeror/contractor is encouraged to use recovered materials to the maximum extent practicable, in accordance with paragraph 23.403 of the Federal Acquisition Regulation (FAR).

5. **PRODUCT CONFORMANCE PROVISIONS.**

5.1 Product conformance. The products provided shall meet the salient characteristics of this CID, conform to the producer's own drawings, specifications, standards, and quality assurance practices, and be the same product offered for sale in the commercial market. The Government reserves the right to require proof of such conformance.

5.2 Market acceptance. The following market acceptance criteria are necessary to document the quality of the product to be provided under this CID:

- a. The company producing the item must have been producing a product meeting the requirements of this CID for at least 2 years.
- b. The company must have sold 1,000 units meeting this CID in the commercial marketplace over the past 2 years.

6. **PACKAGING.** Preservation, packing, and marking shall be as specified in the contract or order.

A-A-59725

7. NOTES.

7.1 PIN. The PIN should be used for Government purposes to buy commercial products to this CID. See section 2 for PIN format example.

7.2 Commercial and Government Entity (CAGE) code. For ordering purposes, inventory control, and submission of these protectors to DSCC under the Military Parts Control Advisory Group (MPCAG) evaluation program, CAGE code 58536 should be used.

7.3 Source of documents.

Other Publications

SOCIETY OF AUTOMOTIVE ENGINEERS (SAE)

J1127 - Battery Cable.

J1128 - Low Tension Primary Cable.

(Application for copies should be addressed to the Society of Automotive Engineers, 400 Commonwealth Drive, Warrendale PA 15096-0001.)

(Industry association specifications and standards are generally available for reference from libraries. They are also distributed among technical groups and using Federal agencies.)

7.4 Ordering data. The contract or order should specify the following:

- a. CID document number, revision, and CID PIN.
- b. Product conformance provisions.
- c. Packaging requirements.

7.5 Commercial products. As part of the market analysis and research effort, this CID was coordinated with the following manufacturers of commercial products. At the time of CID preparation and coordination, these manufacturers were known to have commercial products that would meet the requirements of this CID. (NOTE: This information should not be considered as a list of approved manufacturers or be used to restrict procurement to only the manufacturers shown.)

<u>MFR's CAGE</u>	<u>MFR's name and address</u>
71400	Cooper Bussmann, Incorporated P. O. Box 14460 St. Louis, MO 63178-4460 Phone number (636) 394-2877 Facsimile number (800) 544-2570 E-mail: fusebox@buss.com Uniform Resource Locator (URL): www.bussmann.com

A-A-59725

7.6 Part number (P/N) supersession data. These CID part numbers supersede the following MFR's P/N's as shown. This information is being provided to assist in reducing proliferation in the government inventory system.

TABLE II. P/N supersession data.

CID number (see table I) AA59725-	MFR's CAGE	MFR's P/N ^{1/}
001	71400	496060
002	71400	496080
003	71400	496100
004	71400	496125
005	71400	496150
006	71400	496175
007	71400	496200

^{1/} The manufacturer's P/N shall not be used for procurement to the requirements of this CID. At the time of preparation of this CID, the aforementioned commercial products were reviewed and could be replaced by the CID P/N shown.

7.7 Government users. To acquire information on obtaining these protectors from the Government inventory system, contact Defense Supply Center, Columbus, ATTN: DSCC-CSB, Post Office Box 3990, Columbus, OH 43216-5000, or telephone (614) 692-7962.

MILITARY INTERESTS:

Custodians:
Navy - EC
DLA - CC

CIVIL AGENCY COORDINATING ACTIVITY:

GSA - 7FXE

Preparing activity:

DLA-CC

Project 5920-0761