

[INCH-POUND]
A-A-59689/1A
April 5, 2006

SUPERSEDING
A-A-59689/1
June 8, 2001

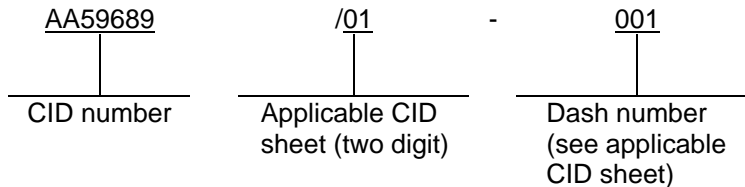
COMMERCIAL ITEM DESCRIPTION
SPECIFICATION SHEET

FUSE, FINGER-SAFE, DUAL-ELEMENT, TIME-DELAY,
INDICATING, 1 AMPERES (A) TO 30 A

The General Services Administration has authorized the use of this commercial item description for all federal agencies.

The complete requirements for procuring the fuses described herein shall consist of this document and the issue in effect of CID A-A-59689.

CLASSIFICATION/PART OR IDENTIFICATION NUMBER (PIN). This commercial item description (CID) uses a classification system which is included in the Part Identification Number (PIN) as shown in the following example (see NOTES).



SALIENT CHARACTERISTICS.

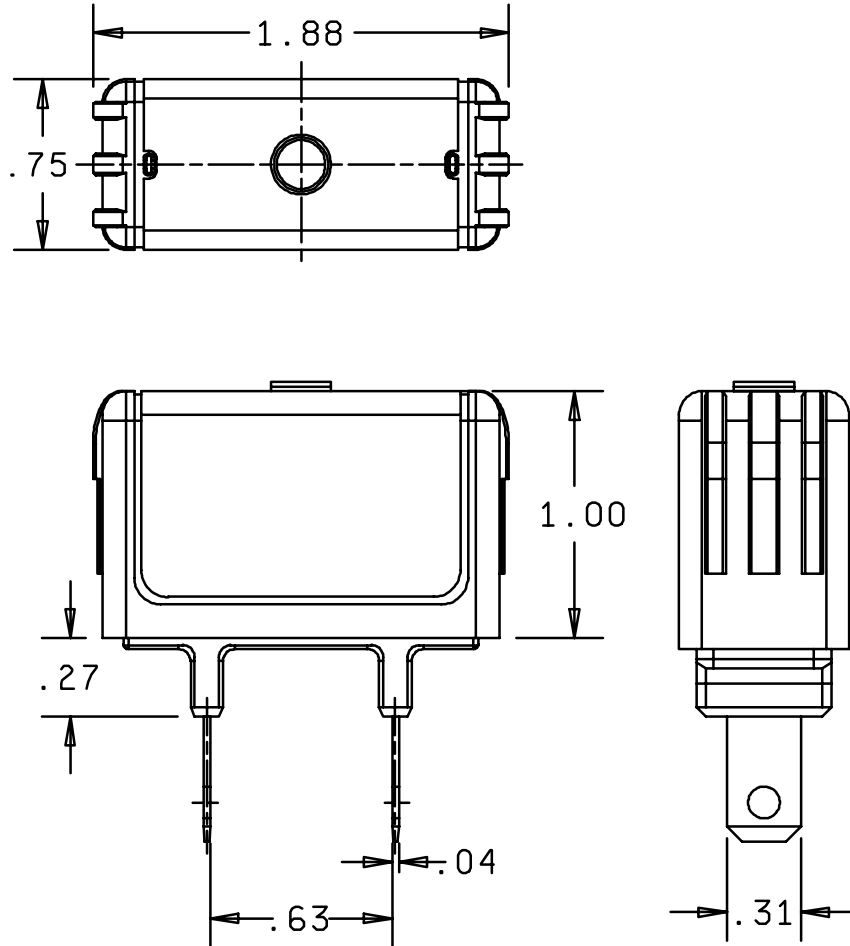
Interface and physical dimensions. Fuses supplied to this CID shall be as specified herein, and shall meet the IP-20 finger-safe requirements of IEC 60529 and the electrical performance requirements of UL248-8 for class J special purpose fuses (see figure 1).

Ampere rating. The ampere rating shall be as specified in table I.

Voltage rating. The voltage rating shall be 600 V ac and 300 V dc maximum at 20,000 ampere interrupt rating.

Interrupting rating. The interrupting rating shall be 300,000 amperes (A) rms symmetrical.

A-A-59689/1A



Inches	mm
.04	1.02
.27	6.86
.31	7.94
.63	15.88
.75	19.05
1.00	25.40
1.88	47.75

NOTES:

1. Dimensions are in inches.
2. Tolerance is ± 0.005 inch (0.13 mm), unless otherwise specified.

FIGURE 1. Configuration and dimensions.

A-A-59689/1A

TABLE I. Characteristics.

CID dash number AA59689/01-	Ampere rating	CID dash number AA59689/01-	Ampere rating
001	1	006	17 1/2
002	3	007	20
003	6	008	25
004	10	009	30
005	15		

Operating time characteristics. Fuses shall possess a 10-second minimum operating time at 500 percent of rated current.

Open fuse indication. Fuses shall provide permanent open fuse indication.

Accommodating fuseholder. Fuses supplied to this CID may be used with fuseholders CID 59690/1.

NOTES.

PIN. The PIN should be used for Government purposes to buy commercial products to this CID. See classification information for PIN format example.

Source of document.

Commercial Item Description

A-A-59690/1 - Fuseholder, Block, 30 Ampere (A), 600 Volts AC, Accommodating Dual-Element, Finger-Safe Fuses

(Copies of these documents are available online at <http://assist.daps.dla.mil/quicksearch/> or <http://dodssp.daps.dla.mil> or from the Standardization Document Order Desk, 700 Robbins Avenue, Building 4D, Philadelphia, PA 19111-5094.)

Other Publications

INTERNATIONAL ELECTROTECHNICAL COMMISSION (IEC)

IEC 60529 - Degrees of Protection Provided by Enclosures (IP Code).

(Copies of these documents are available online at <http://www.iec.ch/> or from the International Electrotechnical Commission, 3 Rue De Varembe', P.O. Box 131, CH - 1211, Geneva 20, Switzerland.)

UNDERWRITERS LABORATORIES, INCORPORATED (UL)

UL248-8 - Low-Voltage Fuses - Part 8: Class J Fuses.

(Copies of these documents are available online at <http://www.ul.com/> or from the Underwriters Laboratories, Incorporated, 333 Pfingsten Road, Northbrook, IL 60062-2096.)

(Industry association specifications and standards are generally available for reference from libraries. They are also distributed among technical groups and using Federal agencies.)

A-A-59689/1A

Commercial products. As part of the market analysis and research effort, this CID was coordinated with the following manufacturers of commercial products. At the time of CID preparation and coordination, these manufacturers were known to have commercial products that would meet the requirements of this CID. (NOTE: This information should not be considered as a list of approved manufacturers or be used to restrict procurement to only the manufacturers shown.)

<u>MFR's CAGE</u>	<u>MFR's name and address</u>
71400	Cooper Bussmann, Incorporated P. O. Box 14460 St. Louis, MO 63178-4460 Phone number (636) 394-2877 Facsimile number (800) 544-2570 E-mail: mailto:fusebox@buss.com Uniform Resource Locator (URL): http://www.bussmann.com

Part number (P/N) supersession data. These CID part numbers supersede the following MFR's P/N's as shown. This information is being provided to assist in reducing proliferation in the government inventory system.

TABLE III. P/N supersession data.

CID dash number AA59689/01- (see table I)	MFR's CAGE	MFR's P/N ^{1/}
001	71400	TCF 1
002	71400	TCF 3
003	71400	TCF 6
004	71400	TCF 10
005	71400	TCF 15
006	71400	TCF 17 1/2
007	71400	TCF 20
008	71400	TCF 25
009	71400	TCF 30

^{1/} The manufacturer's P/N shall not be used for procurement to the requirements of this CID. At the time of preparation of this CID, the aforementioned commercial products were reviewed and could be replaced by the CID P/N shown. For actual part marking requirements see the marking paragraph of A-A-59689.

A-A-59689/1A

MILITARY INTERESTS:

Custodians:
Navy - EC
DLA - CC

CIVIL AGENCY COORDINATING ACTIVITY:

GSA - FSS

Preparing activity:

DLA-CC

Project 5920-2006-068

NOTE: The activities listed above were interested in this document as of the date of this document. Since organizations and responsibilities can change, you should verify the currency of the information above using the ASSIST Online database at <http://assist.daps.dla.mil>.