

INCH-POUND
 A A 55558
 18 January 1995

COMMERCIAL ITEM DESCRIPTION

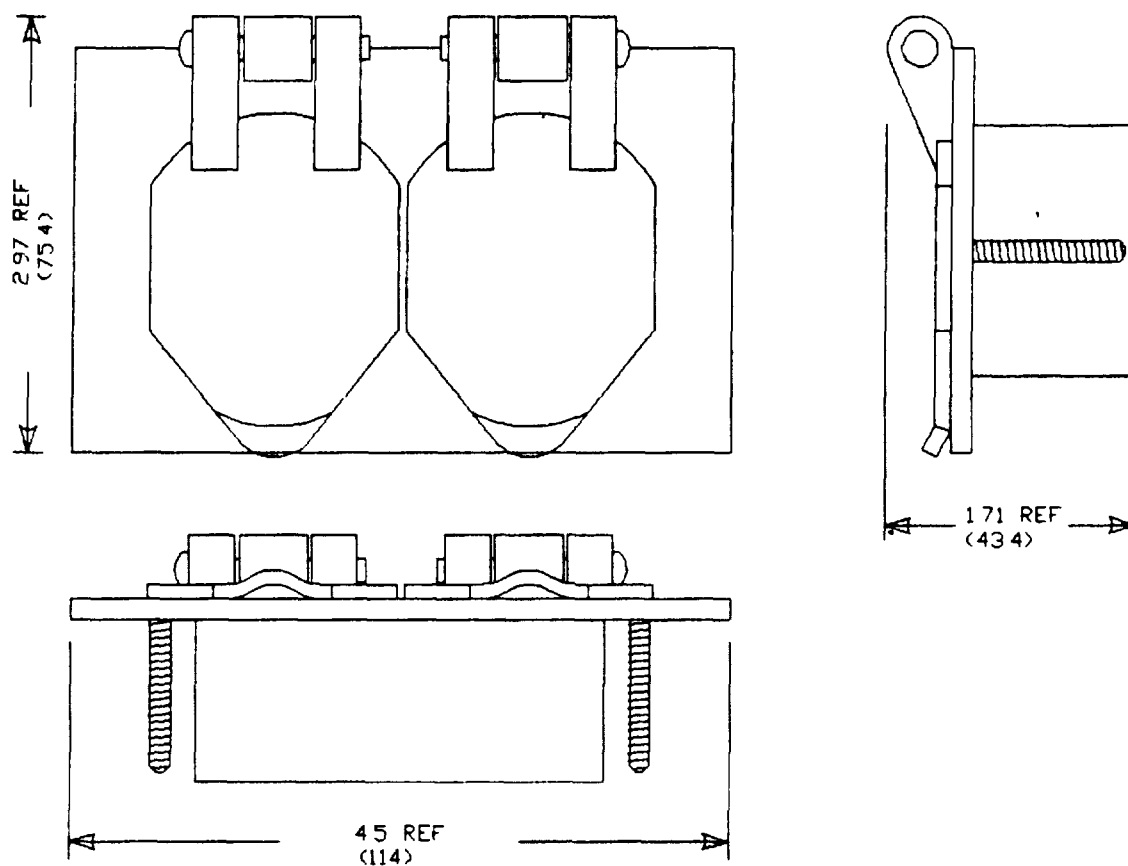
CONNECTOR RECEPTACLE ELECTRICAL UTILITY POWER 15 AMP 125 VOLT 50/60 HERTZ WITH COVER

The General Services Administration has authorized
 the use of this commercial item description (CID)
 for all federal agencies

- 1 SCOPE This CID covers the general requirements for a power receptacle with a cover for wet location applications. Parts covered by this CID are intended for commercial/industrial applications and military system applications that do not have stringent environmental electrical and mechanical requirements.
- 2 CLASSIFICATION This CID uses a classification system which is included in the Part or Identification Number (PIN) (see 6.1).
- 3 SALIENT CHARACTERISTICS
- 3.1 Configuration and dimensions Configuration and dimensions shall be as specified on figure 1 and table I.
- 3.2 Receptacle
 General purpose general grade duplex 2 pole 3 wire grounding 15 ampere 125 volt 50/60 hertz NEMA configuration number 5-15R.
 Color shall be brown.
 Receptacle shall be a qualified connector to W-C-596/12 PIN WC596/12-2.
- 3.3 Cover
 Metallic or Non-metallic two door independent self closing for a standard mounting box and for horizontal mounting.
 Cover plate shall be for wet location applications with cover open in accordance with UL 514A for metallic type or in accordance with UL 514C for non metallic type.
- 3.4 Item of supply
 One item of supply shall be one receptacle one cover and any related hardware ie screws gaskets etc necessary for installation in one package.

Beneficial comments recommendations additions deletions clarifications etc and any other data which may improve this document should be sent to Defense Electronics Supply Center ATTN DESC-ELDI 1507 Wilmington Pike Dayton OH 45444-5765 or telephone (513) 296-5391 or facsimile (FAX) (513) 296 8868

A-A-55558



NOTES

- 1 Dimensions are in inches
- 2 Metric equivalents are given in parentheses for general information only

Figure 1 Configuration and dimensions

4 QUALITY ASSURANCE PROVISIONS

4.1 Contractor certification The contractor shall certify and maintain objective quality evidence that the product offered meets the requirements of this CID and that the product conforms to the producer's own drawings, specifications, standards, quality assurance practices, and is the same as the product provided as a bid sample, if a bid sample is requested. The Government reserves the right to require proof of such conformance prior to the first delivery and thereafter as may be otherwise provided for under the provisions of the contract.

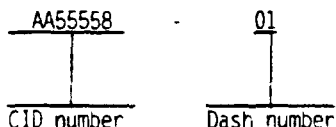
4.2 Certificate of compliance A certificate of compliance shall be submitted to DESC in order for the contractor to be placed on this document as a suggested source of supply.

5 PACKAGING

5.1 Preservation, packaging, packing, labeling, and marking Preservation, packaging, labeling, and marking shall be as specified in the contract or purchase order.

6 NOTES This section contains relevant information which is useful to buyers, users, and suppliers in the process of procuring the item, but is not mandatory.

6.1 Part Identification Number (PIN) The following part identification numbering procedure is for government purposes and does not constitute a requirement for the contractor.



6.2 Referenced documents The following documents of the issue in effect on date of invitation for bids for request for proposal form a part of this CID to the extent specified herein:

6.2.1 Federal Specification

W-C-596 - Connector Electrical Power General Specification for
 W-C-596/12 - Connector Receptacle Electrical etc

(Unless otherwise indicated, copies of federal specifications are available from the Defense Printing Service Detachment Office, Building 4D (Customer Service), 700 Robbins Avenue, Philadelphia, PA 19111-5094.)

6.2.2 Underwriters Laboratories, Inc. (UL) Standard

UL 514A - Box Metallic Outlet Standard for
 UL 514C - Box Non-metallic Outlet Flush Device Boxes and Covers

(Application for copies should be addressed to the Underwriters Laboratories, Inc., Publication Stock, 333 Pfingsten Road, Northbrook, Illinois 60062.)

6.2.3 National Electrical Manufacturers Association (NEMA) Publications

WD 6 - Wiring Devices - Dimensional Requirements

(Application for copies should be addressed to National Electrical Manufacturers Association, 2101 L Street, N.W., Suite 300, Washington, D.C. 20037.)

6.3 Government users To acquire information on obtaining these connectors from the Government inventory system, contact Defense Electronics Supply Center, ATTN: DESC-EON, 1507 Wilmington Pike, Dayton, OH 45444-5522 or telephone (513) 296-5009.

A-A-55558

6.4 Ordering data Acquisition documents should specify the following

- a. CID document number and revision and CID PIN
- b. Quality assurance provisions
- c. Packaging requirements

6.5 Suggested sources of supply Suggested sources of supply are listed in table I. Additional sources will be added as they become available.

TABLE I Suggested sources of supply

CID PIN AA55558	Vendor's Commercial PIN	Vendor's CAGE number	NSN
01	5262 W/5205W0	12497	5935-00-716-3297
	30501/2708	2H306	
	WR81C	84258	
	5262 W/5205W0	9A329	

Vendor CAGE
numberVendor name
and address

12497

The John A. Becker Co
1341 East Fourth St
Dayton OH 45402-2235

2H306

Doylestown Electric
3683 Easton Rd
Doylestown PA 18901

84258

Avon Electrical Supplies Inc
901 Motor Pkwy
Hauppauge NY 11788

9A329

Consolidated Electric Supply Co
Duellman Electric Div
131 Wayne Ave
P O Box 771
Dayton OH 45401

CIVIL AGENCY COORDINATING ACTIVITY

GSA - 7FXE

PREPARING ACTIVITY

DLA-ES

(Project 5935-D527)